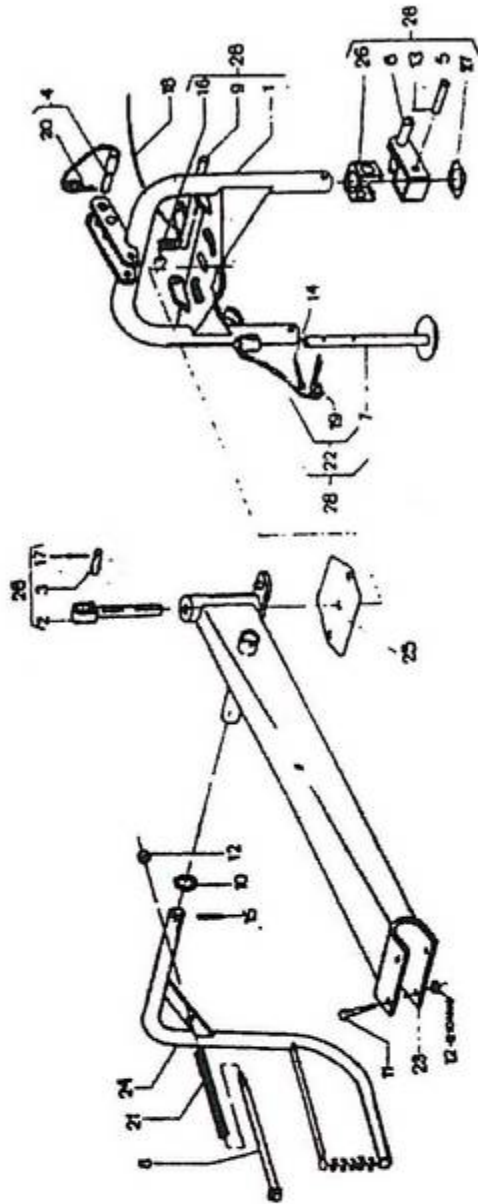
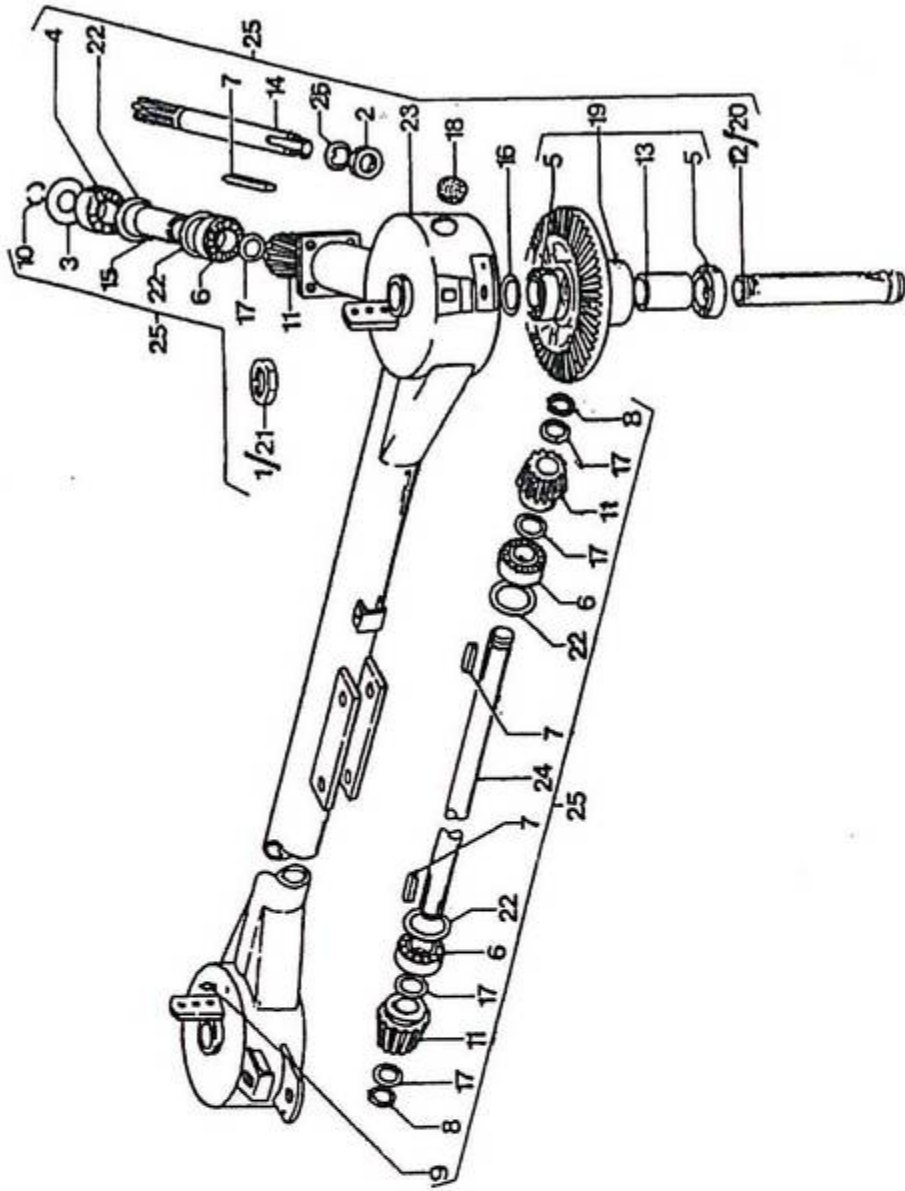


**Z275 HAYBOB
SPARE PARTS BOOK**



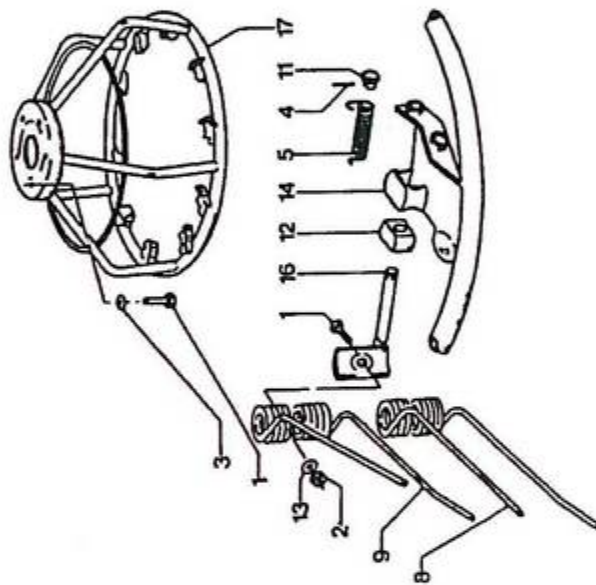
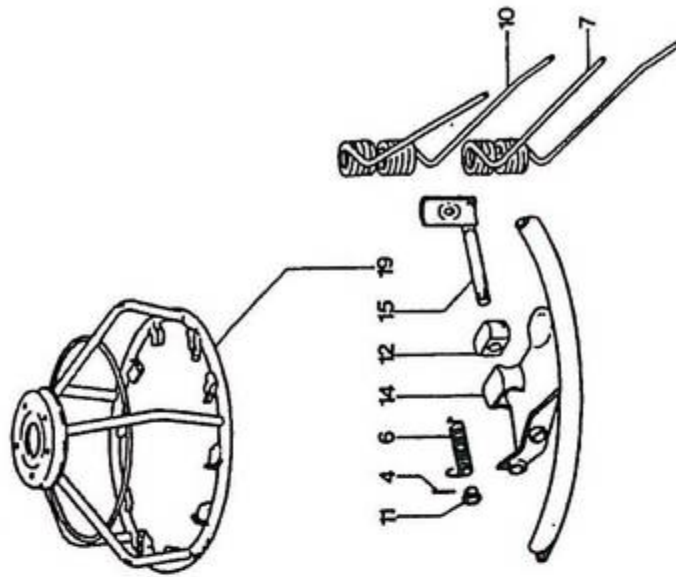
Three-point frame with intermediate frame.

Ord. №	Plant part number	Name of part or assembly	№ of pcs
1	GV 037	Welded three-point frame	1
2	GZ 0281V	Complete pin	1
3	GZ 283V	Pin	1
4	HK 0028V	Complete mandrel	1
5	HS 182V	Pin	2
6	HS 0188/A	Complete bottom catch	2
7	HS 0200	Support	1
8	HS 0210V	Complete mandrel	1
9	HS 0218	Locking pawl	1
10	MT 84V	Ring 3x43,5x60	1
11	ND 1037V	Bolt M16x120-8.8-B-Fe/Zn8cC	2
12	ND 2090V	Nut P M16-8-A-Fe/Zn8cC	3
13	ND 4020V	Cotter pin S-Zn 5x36	3
14	ND 4022V	Cotter pin S-Zn 8x63	1
15	ND 4040V	Spring pin 8x60	1
16	ND 4044V	Spring pin 6x60	1
17	ND 4055V	Cotter pin S-Zn 6,3x36	2
18	ND 9347	String	1
19	PZ 199V	Plug	1
20	PZ 25V	Plug	1
21	PZ 281V	Spring	1
22	PZ 00199V	Complete plug	1
23	TH 0179/A	Welded intermediate frame	1
24	TH 0181	Divider	1
25	TH 262	Flat casing	1
26	TH 263	Casing	2
27	TH 264	Casing	2
28	TH 00205/A	Complete three-point frame	1



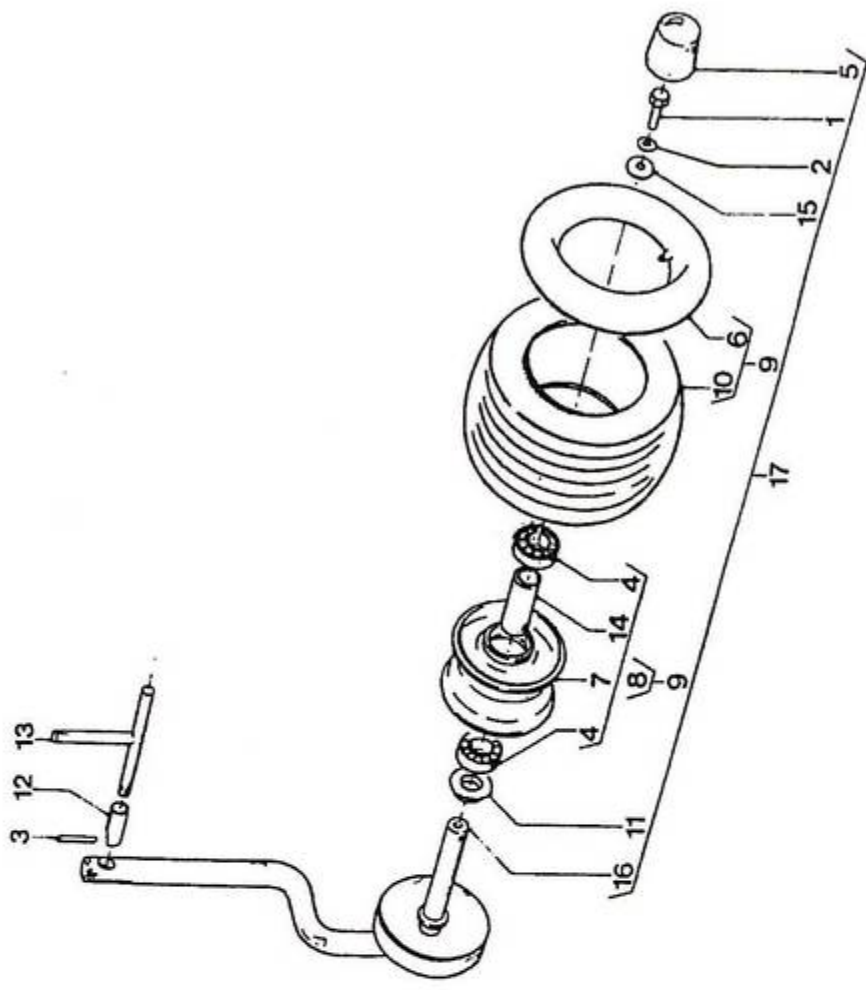
Main frame with gears.

Ord. №	Plant part number	Name of part or assembly	№ of pcs
1	GT 37V	Nut	1
2	MT 174V	Nut M30x1,5H=12	1
3	MT 365V	Cover	1
4	ND 5027	Ball bearing 6207-2RS	1
5	ND 5036	Bearing 6210-2Z-C3	4
6	ND 5048	Bearing 6207-2Z	3
7	ND 7003	Parallel key A 8x7x50	3
8	ND 8008V	Spring mounting ring Z 35x1,5	2
9	ND 9004V	Grease nipple M6	2
10	PZ 72V	Spring ring	1
11	TH 2	Gear wheel	3
12	TH 041	Complete right rotor axle	1
13	TH 65	Distance sleeve	2
14	TH 67	Main shaft	1
15	TH 68	Distance sleeve	1
16	TH 0078	Set of distance washers	--
17	TH 0079	Set of distance washers	--
18	THA 2	Plug	2
19	TH 00137	Complete plate wheel	2
20	TH 0140	Complete left rotor axle	1
21	TH 141V	Left nut	1
22	TH 00145	Set of distance washers	--
23	THA 0173	Main frame	1
24	TH 190	Shaft	1
25	TH 00190	Complete main frame	1
26	VS 81	Washer	1



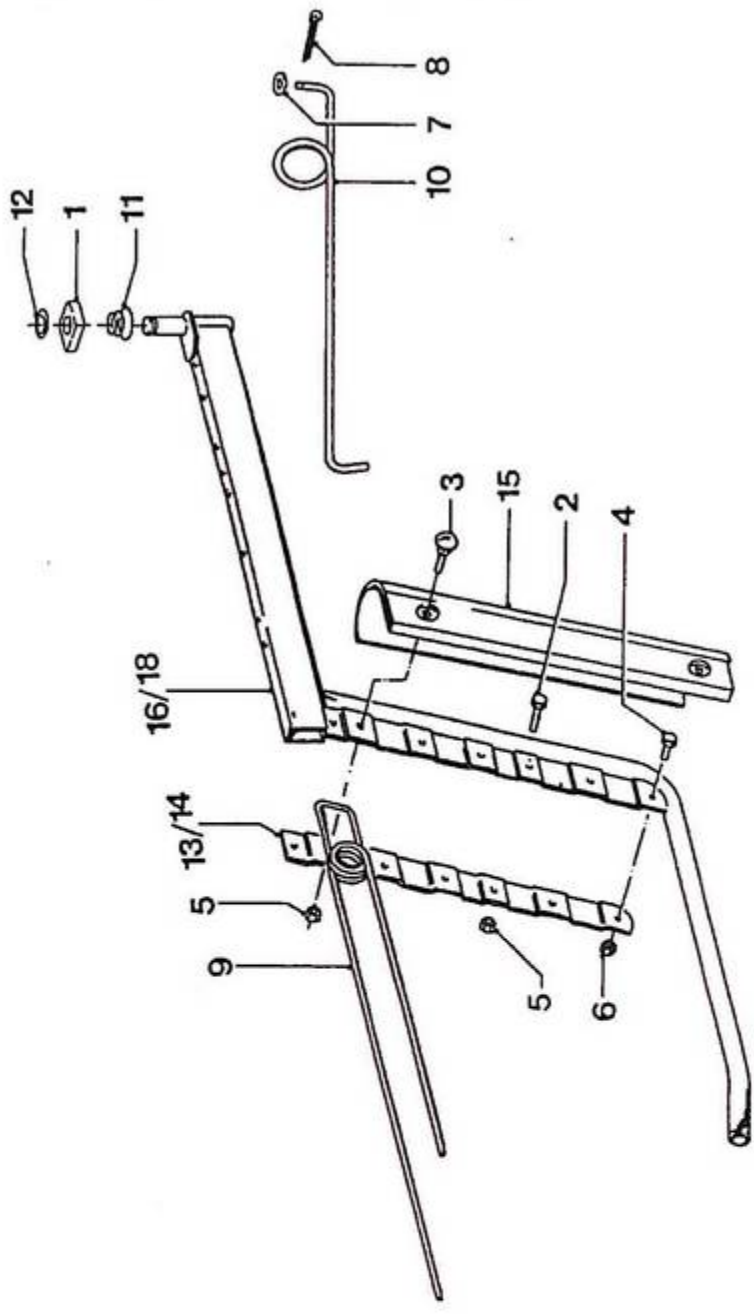
Rotors

Ord. №	Plant part number	Name of part or assembly	№ of pcs
1	ND 1075V	Bolt M12x40-8.8-B-Fe/Zn8cC	30
2	ND 2085V	Nut P M12-8-A-Fe/Zn8cC	20
3	ND 3105V	Washer 12-Fe/Zn9cC	10
4	ND 4027V	Spring pin 6x40	20
5	PZ 99	Left spring	10
6	PZ 100	Right spring	10
7	PZ 106	Right narrow tooth (yellow)	5+1
8	PZ 107	Left narrow tooth (blue)	5+1
9	PZ 110	Left wide tooth (blue)	5+1
10	PZ 111	Right wide tooth (yellow)	5+1
11	TH 42	Ring	20
12	TH 93	Bearing	20
13	TH 100V	Washer	20
14	TH 107	Mounting	20
15	TH 0108V	Right tooth holder	10
16	TH 0109V	Left tooth holder	10
17	TH 0203	Left rotor	1
18	TH 00203	Complete left rotor (blue)	1
19	TH 0204	Right rotor	1
20	TH 00204	Complete right rotor (yellow)	1



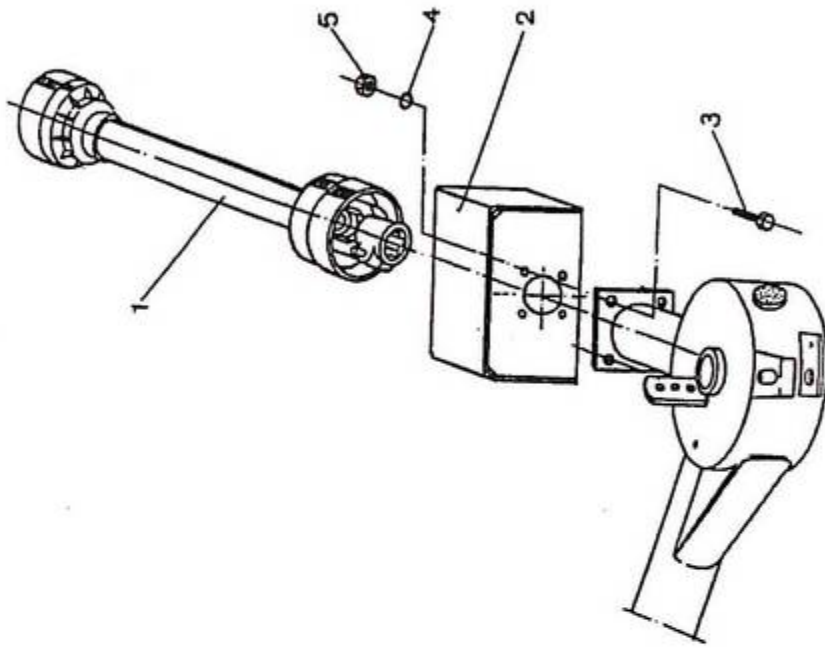
Driving wheels

Ord. №	Plant part number	Name of part or assembly	№ of pcs
1	ND 1072V	Bolt M12x25-8.8-B-Fe/Zn8cC	2
2	ND 3105V	Washer 12-Fe/Zn9cC	2
3	ND 4035V	Spring pin 5x20	2
4	ND 5003	Ball bearing 6205-2RS	4
5	THA 10	Cap	2
6	ND 9779	Inner tube 15x6.00	2
7	THA 07	Wheel band 4.50Ax6	2
8	THA 007	Complete wheel band 4.50Ax6	2
9	THA 008	Complete wheel 15x6.00-6 4PR	2
10	ND 9842	Tyre 15x6.00-6 4PR v6	2
11	TH 9	Packing ring	2
12	TH 33V	Spring sleeve	2
13	TH 062V	Lock	2
14	TH 66	Distance sleeve	2
15	TH 100V	Washer 5x12,5x30	2
16	TH 0188	Wheel cantilever	2
17	TH 00188/A	Complete driving wheel	2

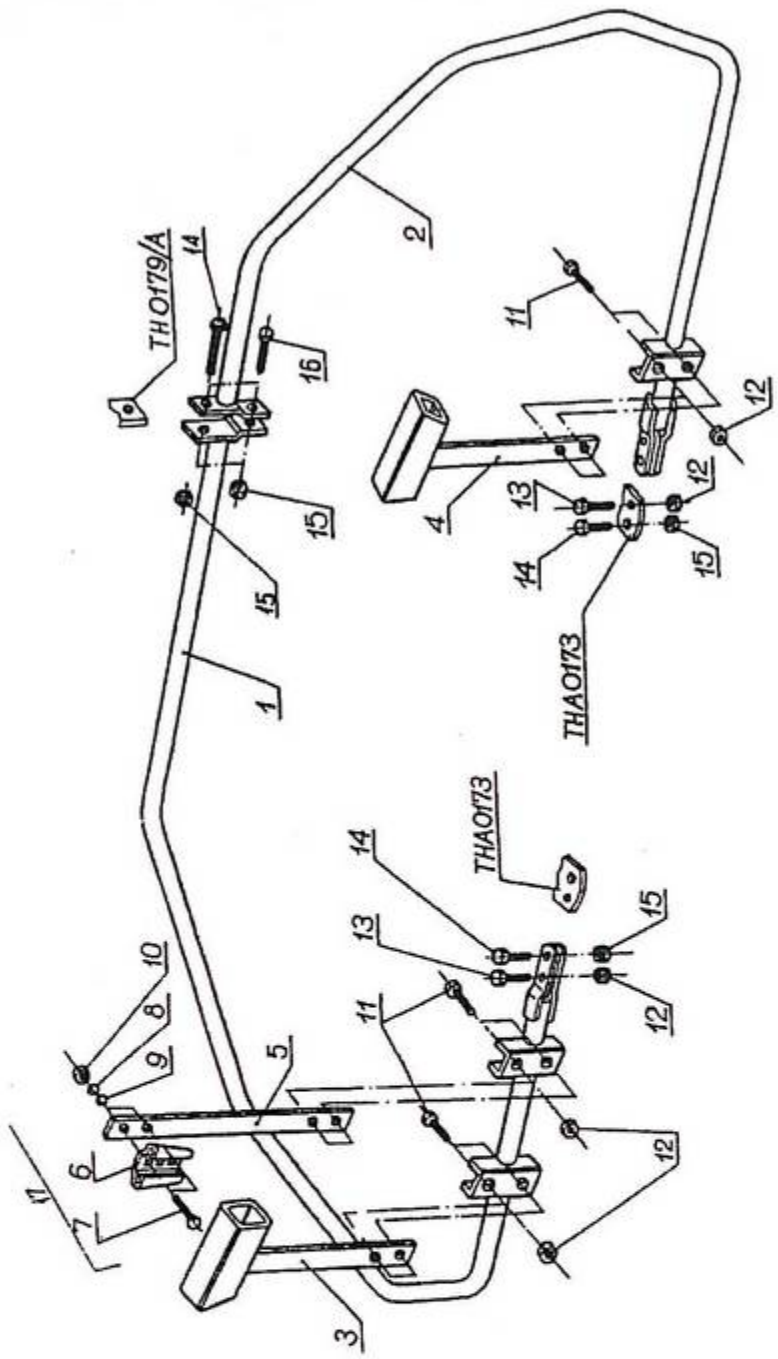


Screens

Ord. №	Plant part number	Name of part or assembly	№ of pcs
1	JH 66	Brick	2
2	ND 1007V	Bolt M10x20-8.8-B-Fe/Zn8cC	6
3	ND 1055V	Bolt P M10x20-8.8-Fe/Zn8cC	4
4	ND 1063V	Bolt M8x16-8.8-B-Fe/Zn8cC	4
5	ND 2084V	Nut P M10-8-A-Fe/Zn8cC	10
6	ND 2091V	Nut P M8-8-A-Fe/Zn8cC	4
7	ND 3009V	Washer K13-Fe/Zn9cC	2
8	ND 4025V	Cotter pin S-Zn 4x25	2
9	PZ 114	Screen tooth	10
10	PZ 115	Stop	2
11	PZ 300V	Spring	2
12	PZ 301V	Spring ring	2
13	TH 115	Left cover strap	1
14	TH 116	Right cover strap	1
15	TH 125	Casing	2
16	TH 0208	Right screen arm	1
17	TH 00208	Right screen	1
18	TH 0209	Left screen arm	1
19	TH 00209	Left screen	1



Ord. №	Plant part number	Name of part or assembly	№ of pcs
1	4R-302-7-BA-K401	PTO shaft C40970	1
2	THA 061	Power input shaft casing	1
3	ND 1063V	Bolt M8x16-8.8-B-Fe/Zn8cC	4
4	NP 0290V	Washer 8,4Fe/Zn9cC	4
5	ND 2091V	Nut P M8-8-A-Fe/Zn8cC	4



Ord. №	Plant part number	Name of part or assembly	№ of pcs
1	THA 0194	Left bow	1
2	THA 0195	Right bow	1
3	THA 01010	Left cantilever	1
4	THA 01011	Right cantilever	1
5	THA 1012	Triangle cantilever	1
6	NP 0318	Holder	1
7	NP 0317V	Bolt Z M8x25-8.8-Fe/Zn8cC	2
8	NP 0345	Spring washer Z8,2Fe/Zn9cC	2
9	NP 0290V	Washer 8,4-Fe/Zn9cC	2
10	ND 2004V	Nut M8-8-B-Fe/Zn8cC	2
11	NP. 0280V	Bolt M10x25-8.8-B-Fe/zn8cC	6
12	ND 2084V	Nut P M10-8-A-Fe/Zn8cC	8
13	ND 1099V	Bolt M10x40-8.8-B-Fe/Zn8cC	2
14	NP. 0238V	Bolt M12x40-8.8-B-Fe/zn8cC	3
15	ND 2085V	Nut P M12-8-A-Fe/Zn8cC	4
16	NP. 0237V	Bolt M12x25-8.8-B-Fe/Zn8cC	1
17	THA 01012	Complete triangle cantilever	1

9. REMEDIAL MAINTENANCE CARD

Name and type of product: CAROUSEL RAKE-TEDDER Z-275

Factory number

Filling date	Date of performance	Scope of repair	Seal, signature