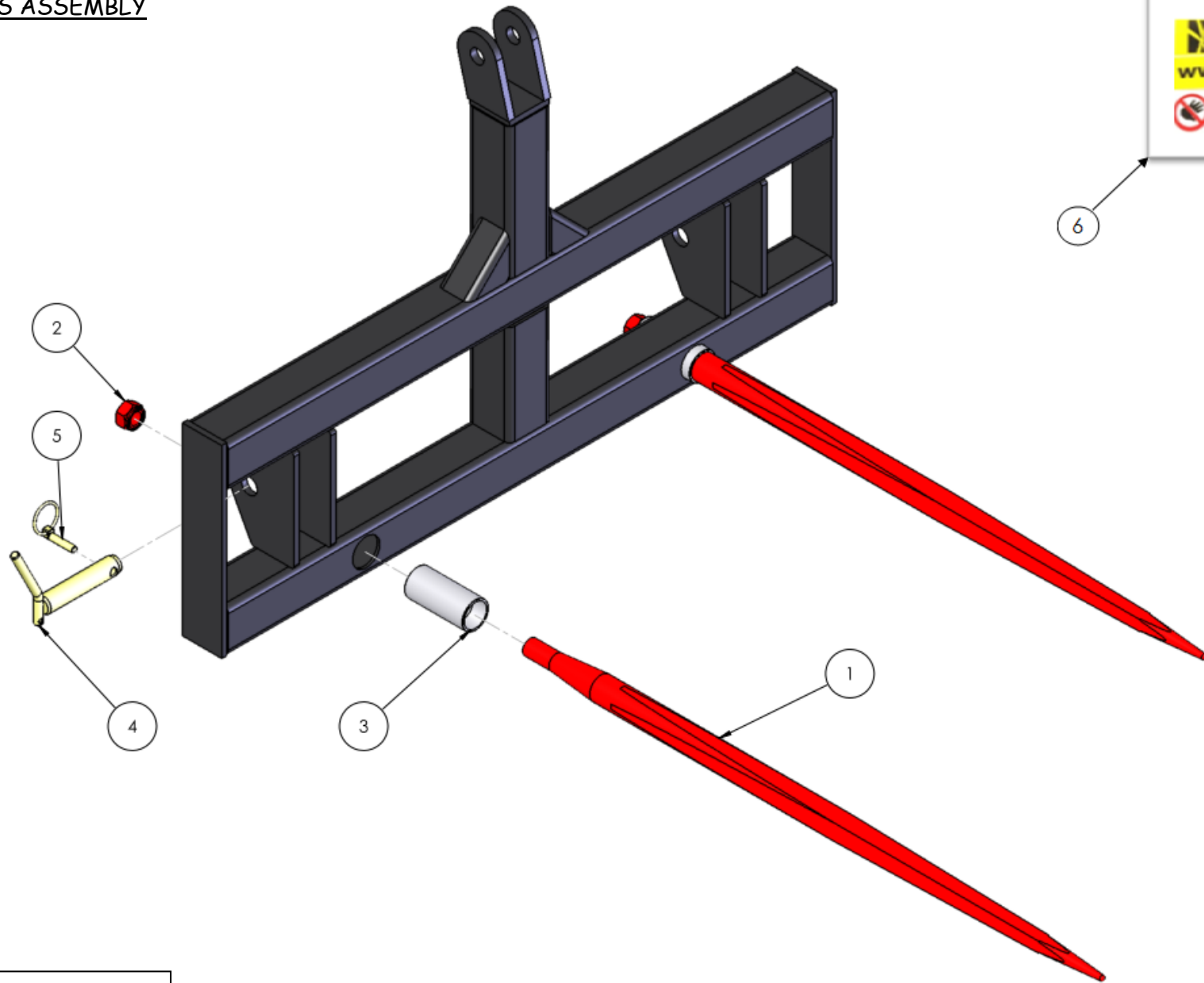


UBS/FLS SPARE PARTS LIST



UBS/FLS ASSEMBLY



SEE TABLE NO: 001

TABLE NO: 001 UBS/FLS ASSEMBLY			
ITEM NO	DESCRIPTION	UBS/FLS	
		CODE	QTY
1	UNIVERSAL BALE SPIKE TINE	ZGPP25	2
2	TINE NUT	ZFAS136	2
3	HEAVY DUTY TINE BUSH	ZGPP27	2
4	CAT2 LIFT ARM PIN	ZGPP62	2
5	M10X40 LINCH PIN	ZFAS31	2
6	COMPLETE UBS / FLS STICKER KIT	P001.500	1