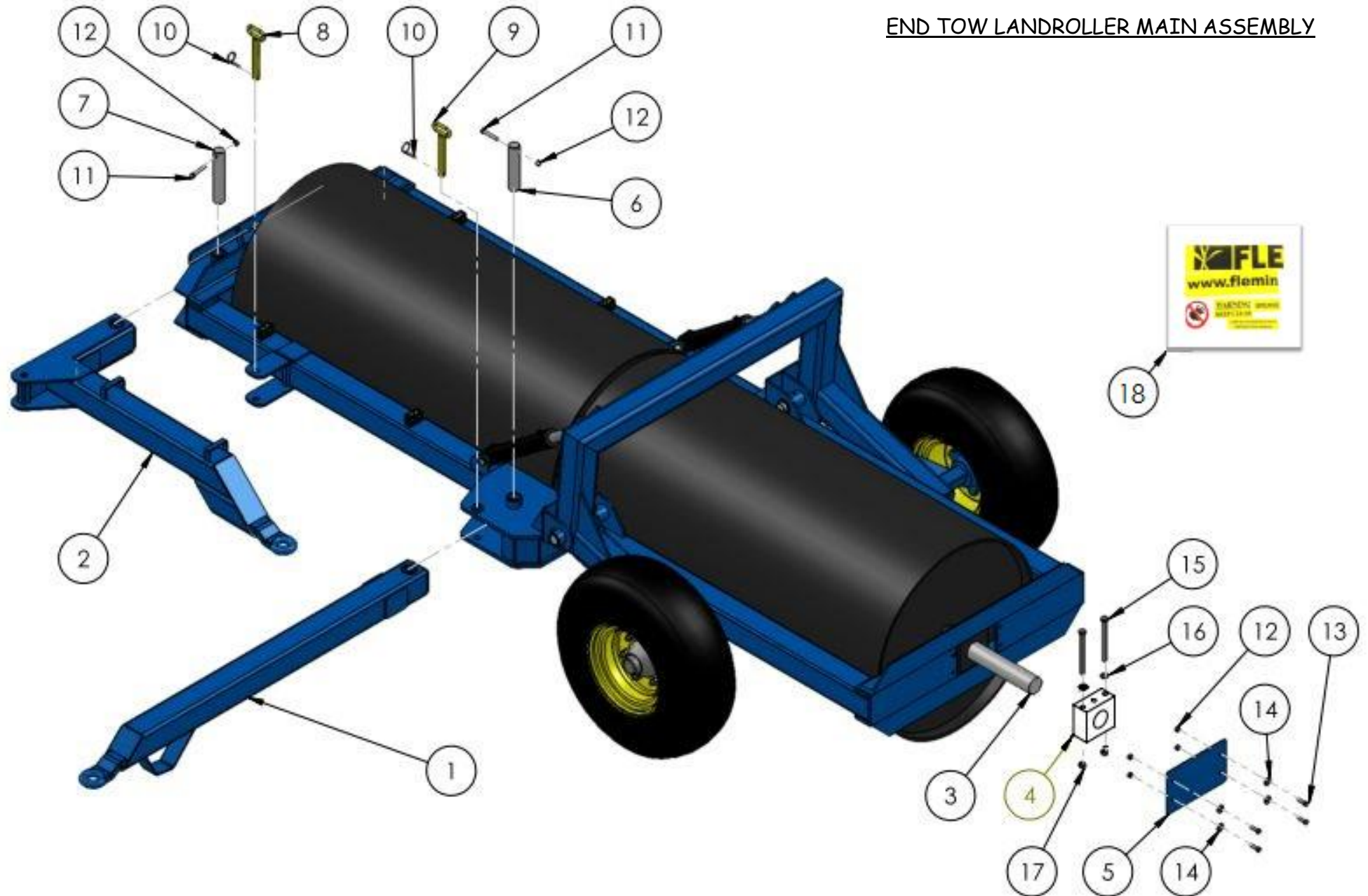


END TOW LANDROLLER SPARE PARTS LIST



END TOW LANDROLLER MAIN ASSEMBLY

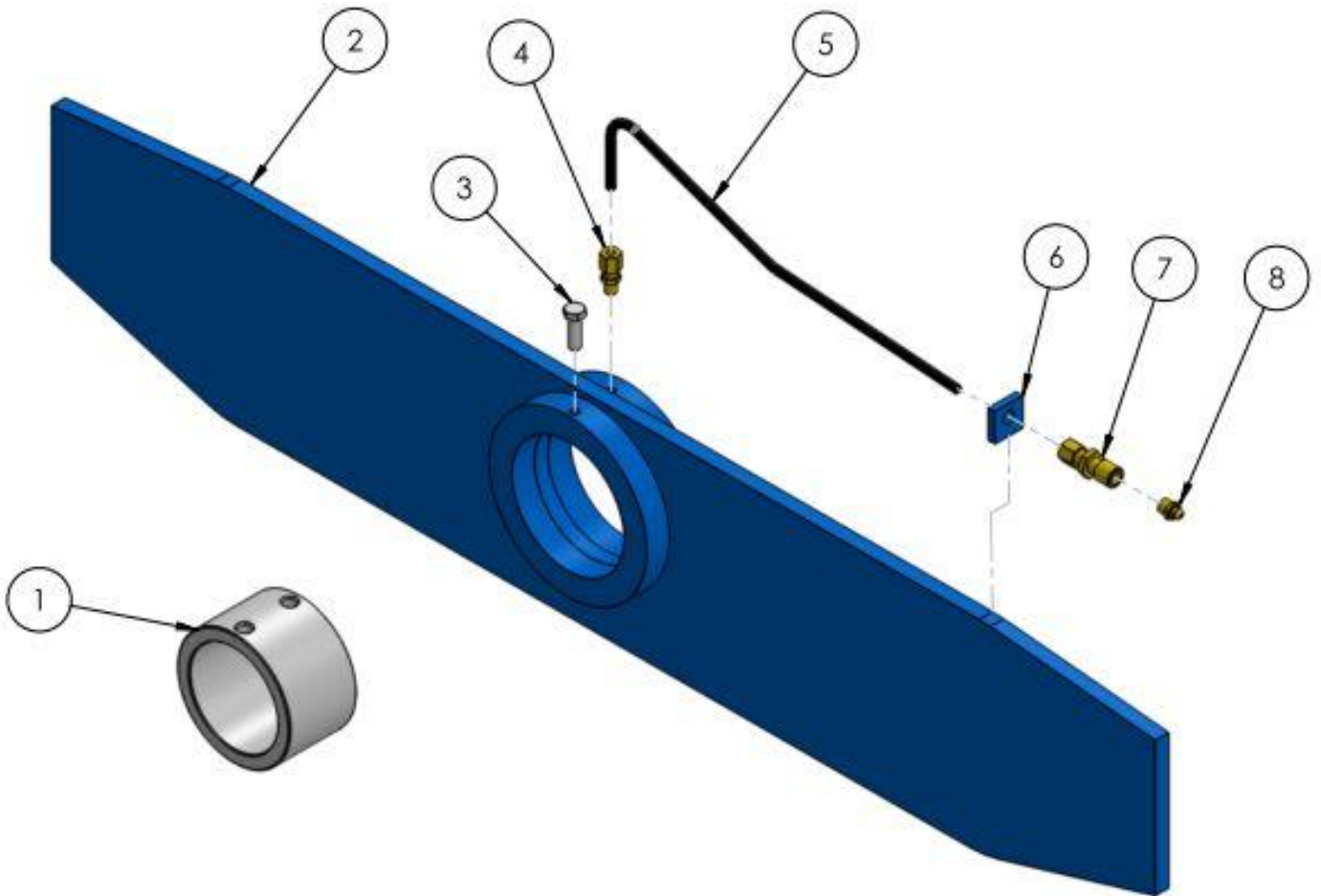


SEE TABLE NO: 001

TABLE NO: 001 12ft END TOW LANDROLLER MAIN ASSEMBLY

ITEM NO	DESCRIPTION	123612ET	
		CODE	QTY
1	ROLLER DRAWBAR	P001.135	1
2	TRANSPORT DRAWBAR	P001.136	1
3	CENTRE SHAFT	P001.137	1
4	END TOW ROLLER BEARING (IDENTICAL BOTH ENDS)	ZMAC60	2
5	BEARING COVER PLATE	P001.138	2
6	ROLLER DRAWBAR PIVOT PIN	P001.139	1
7	TRANSPORT DRAWBAR PIVOT PIN	P001.140	1
8	LOCKING PIN 230mm LONG	ZMAC82	1
9	LOCKING PIN 200mm LONG	ZMAC75	1
10	M6x40 LINCH PIN	ZFAS34	2
11	M12x80 BOLT ZP	ZFAS47	2
12	M12 NYLOCK NUT	ZFAS22	10
13	M12x40 SETSCREW ZP	ZFAS51	8
14	M12 WASHER ZP	ZFAS45	8
15	M16x200 BOLT ZP	ZFAS17	4
16	M16 WASHER ZP	ZFAS36	4
17	M16 NYLOCK NUT	ZFAS23	4
18	STICKER KIT	P001.531	1

END TOW ROLLER CENTRE BEARING ASSEMBLY 2010-2011

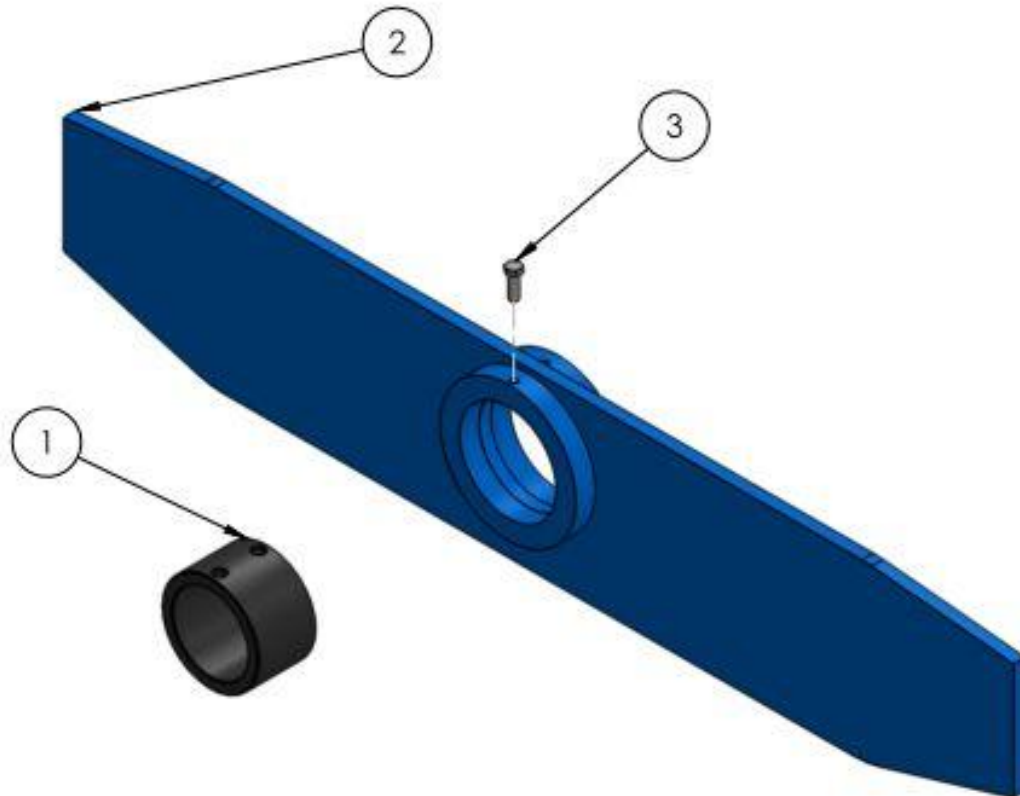


SEE TABLE NO: 002

TABLE NO: 002 12ft END TOW LANDROLLER CENTRE BEARING ASSEMBLY 2010-2011

ITEM NO	DESCRIPTION	123612ET	
		CODE	QTY
1	CENTRE BEARING (100mm O.D x 60mm Long x 75mm I.D)	ZMAC52	1
2	CARRIER PLATE (WELD ON)	P001.141	1
3	M8x35 SETSCREW	ZFAS103	1
4	GREASE FITTING	ZGPP201	1
5	GREASE PIPE	ZGPP202	1
6	WELD ON LUG	ZPPA119	1
7	GREASE FITTING	ZGPP203	1
8	GREASE NIPPLE	ZGPP30	1
	REPLACEMENT COPPER GREASE PIPE KIT (NOT SHOWN)	P001.132	1

END TOW ROLLER CENTRE BEARING ASSEMBLY 2012-2013

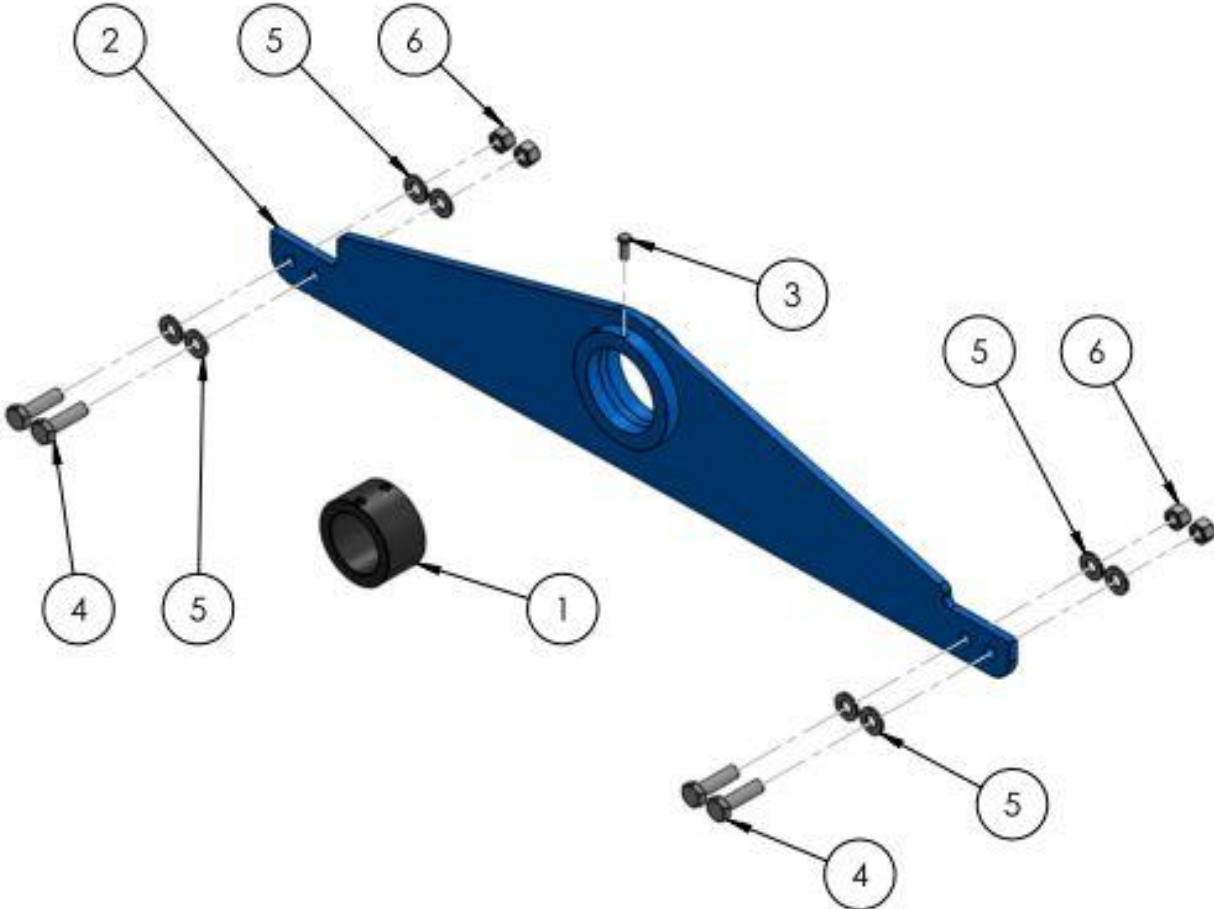


SEE TABLE NO: 003

TABLE NO: 003 12ft END TOW LANDROLLER CENTRE BEARING ASSEMBLY 2012-2013

ITEM NO	DESCRIPTION	123612ET	
		CODE	QTY
1	CENTRE BEARING (110mm O.D x 60mm Long x 75mm I.D)	ZMAC52A	1
2	CARRIER PLATE (WELD ON)	P001.143	1
3	M8x35 SETSCREW ZP	ZFAS103	1

END TOW ROLLER CENTRE BEARING ASSEMBLY 2014

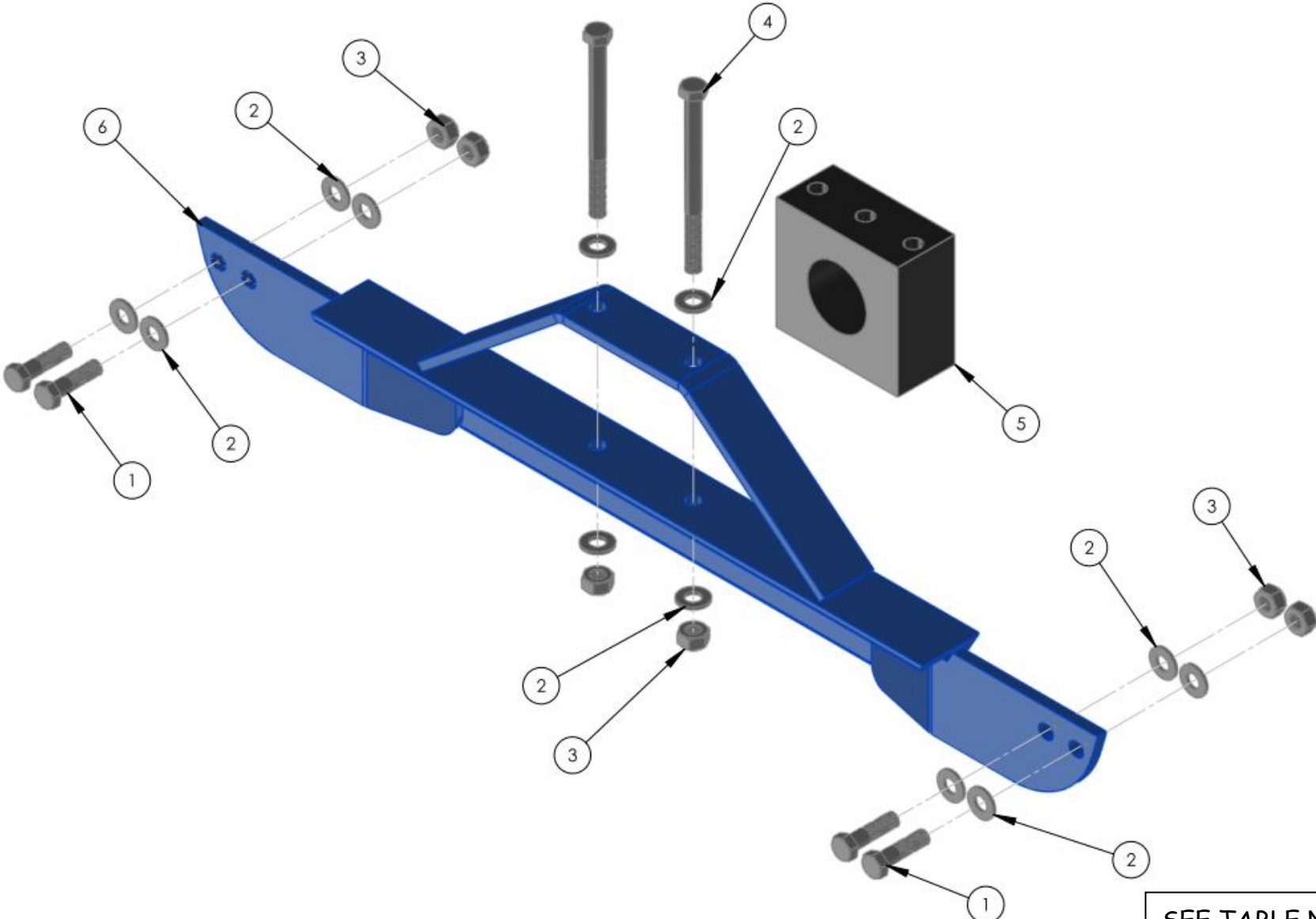


SEE TABLE NO: 004

TABLE NO: 004 12ft END TOW LANDROLLER CENTRE BEARING ASSEMBLY 2014

ITEM NO	DESCRIPTION	123612ET	
		CODE	QTY
1	CENTRE BEARING (110mm O.D x 60mm Long x 75mm I.D)	ZMAC52A	1
2	CARRIER PLATE (BOLT ON)	P001.144	1
3	M8x35 SETSCREW ZP	ZFAS103	1
4	M16x60 SETSCREW ZP	ZFAS82	4
5	M16 WASHER ZP	ZFAS36	8
6	M16 NYLOCK NUT	ZFAS23	4

END TOW ROLLER CENTRE BEARING ASSEMBLY 2015

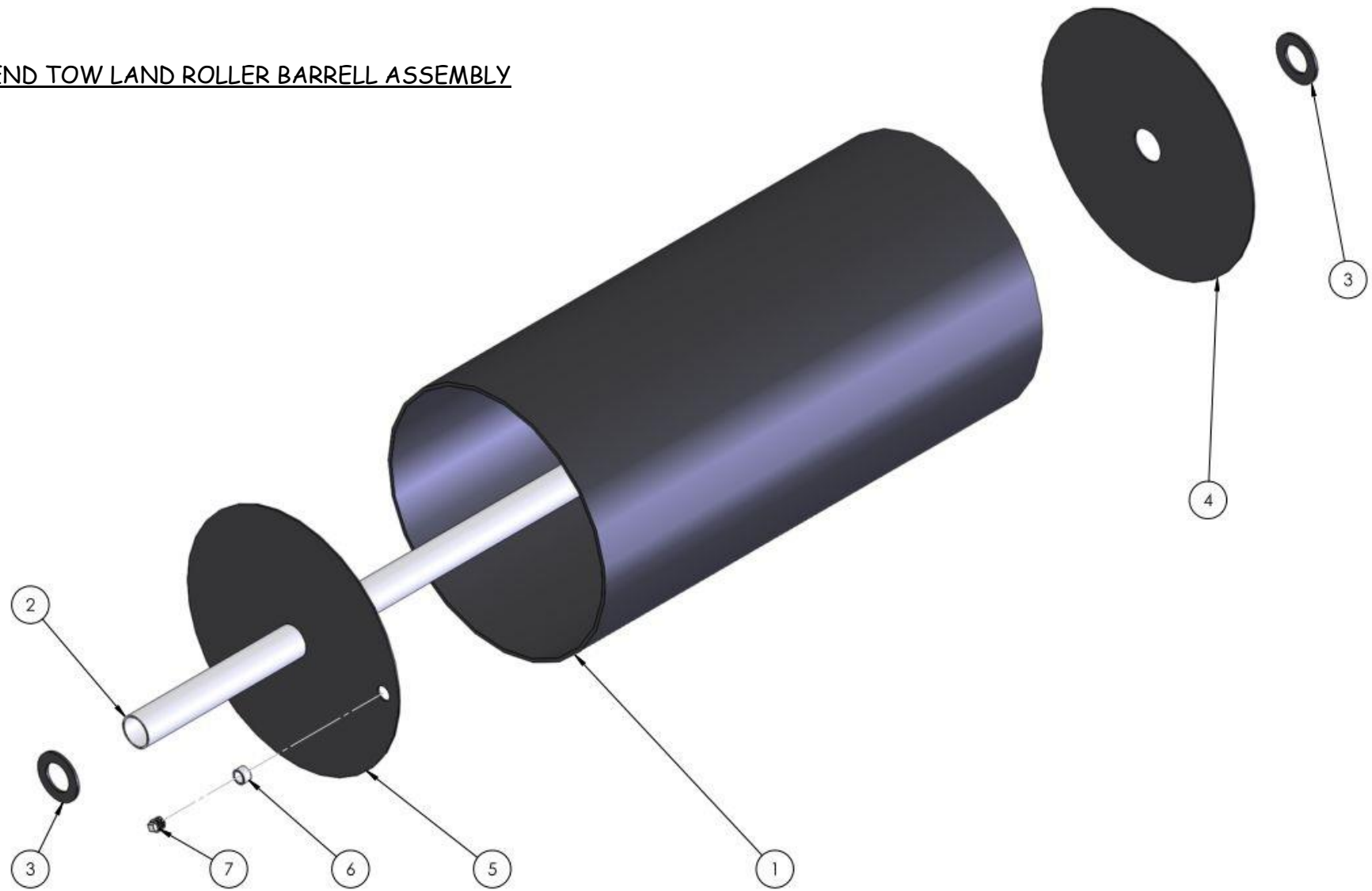


SEE TABLE NO: 005

TABLE NO: 005 12ft END TOW LANDROLLER CENTRE BEARING ASSEMBLY 2015

ITEM NO	DESCRIPTION	123612ET	
		CODE	QTY
1	M16x60 SETSCREW ZP	ZFAS82	4
2	M16 WASHER ZP	ZFAS36	12
3	M16 NYLOCK NUT	ZFAS23	6
4	M16x200 BOLT ZP	ZFAS17	2
5	CENTRE BEARING	ZMAC60	1
6	CARRIER PLATE (BOLT ON) 2015	P001.144A	1

END TOW LAND ROLLER BARRELL ASSEMBLY

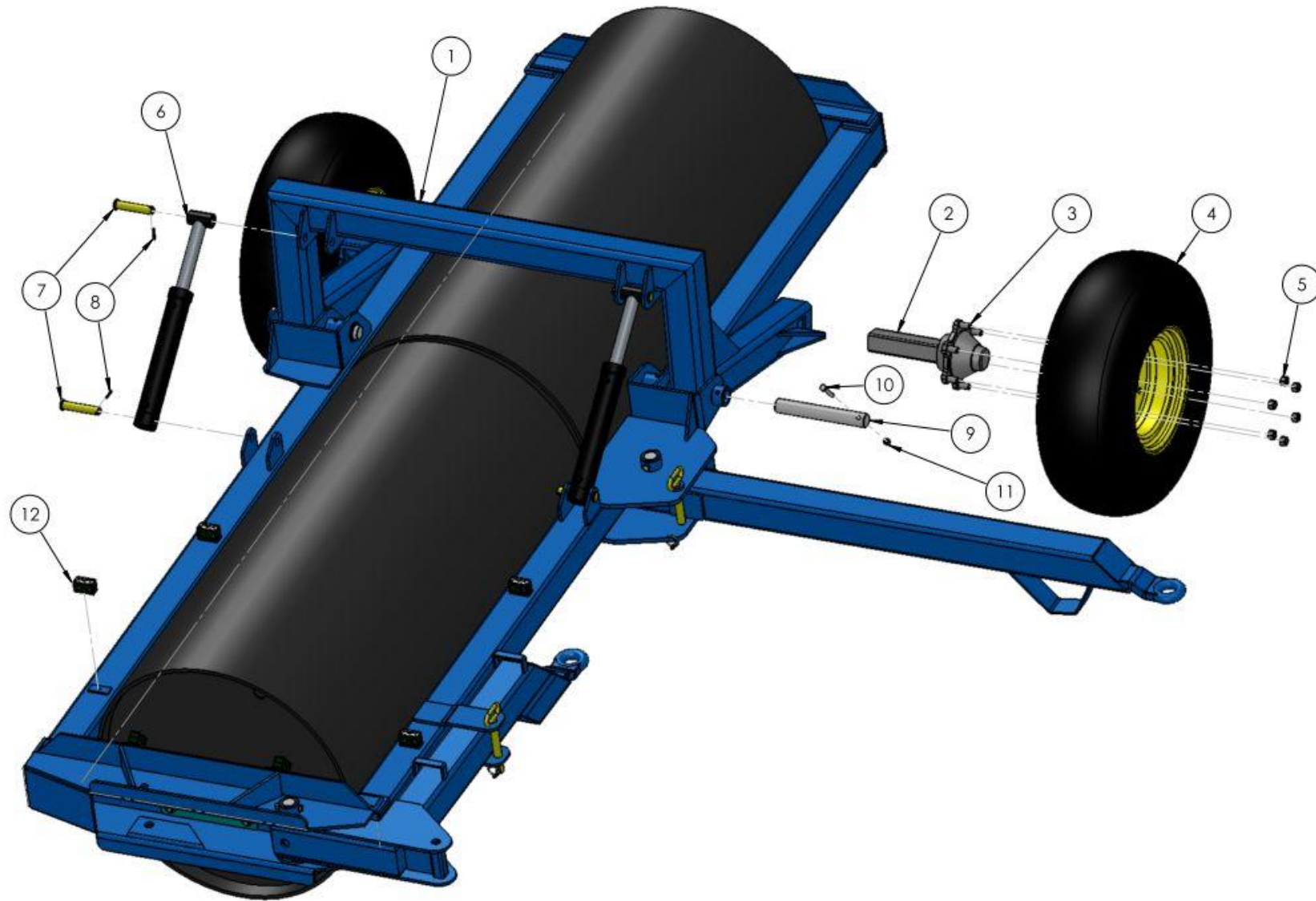


SEE TABLE NO: 006

TABLE NO: 006 12ft END TOW LANDROLLER BARRELL ASSEMBLY

ITEM NO	DESCRIPTION	123612ET	
		CODE	QTY
1	COMPLETE BARRELL (ALL ITEMS)	P001.145	2
2	CENTRE PIPE	P001.146	2
3	CENTRE PIPE WASHER	ZPPA21	4
4	END DISC	ZPPA17	2
5	END DISC C/W HOLE	ZPPA17A	2
6	1" SOCKET	ZFAS33	2
7	1" BUNG	ZFAS32	2

END TOW ROLLER AXLE ASSEMBLY

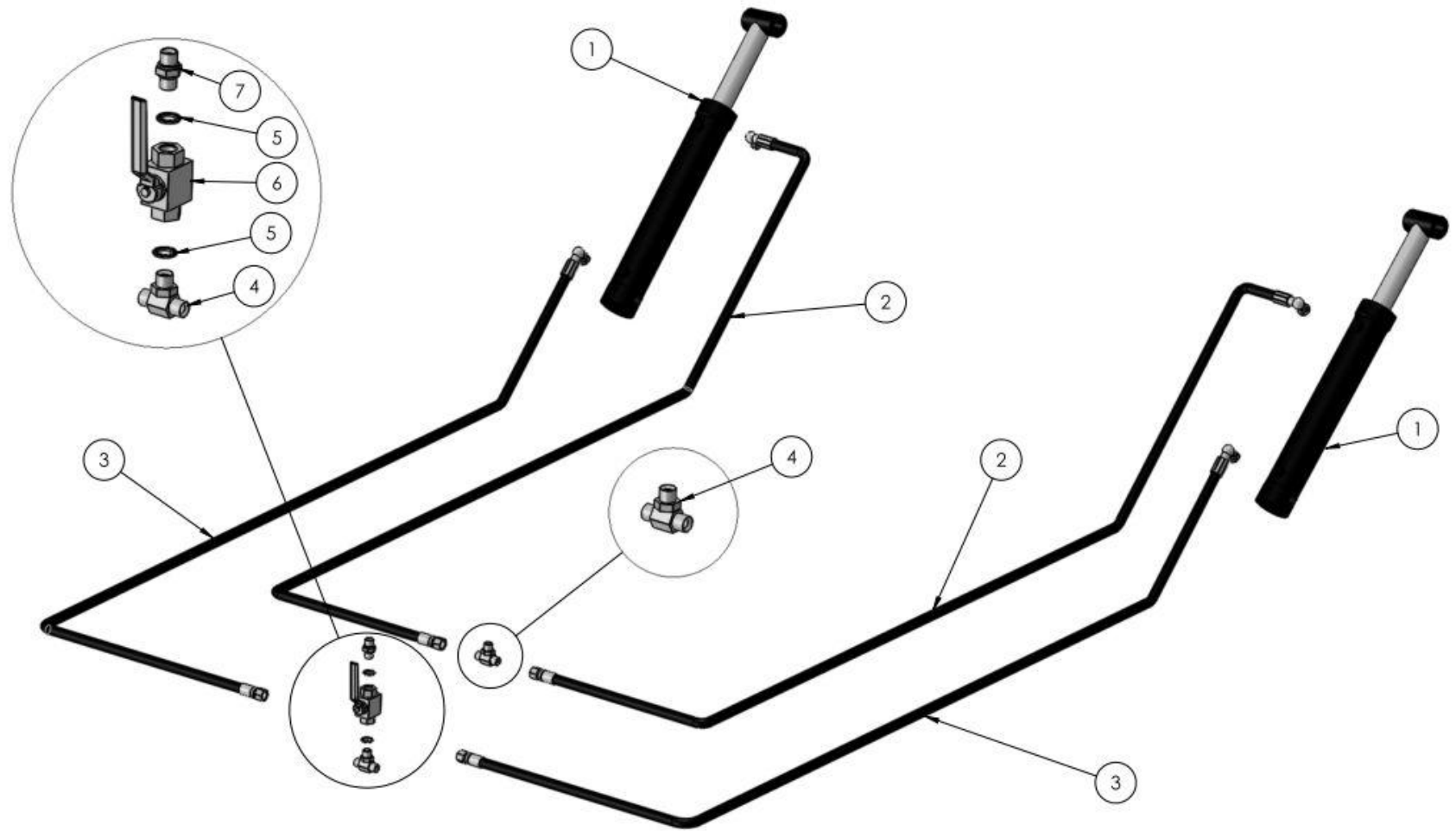


SEE TABLE NO: 007

TABLE NO: 007 12ft END TOW LANDROLLER AXLE ASSEMBLY

ITEM NO	DESCRIPTION	123612ET	
		CODE	QTY
1	END TOW WHEEL CARRIER	P001.147	1
2	6 STUD STUB AXLE	ZGPP204	2
3	WHEEL STUD	AX-18501.5	12
4	COMPLETE WHEEL	ZGPP20	2
5	WHEEL NUT	AX-181.5	12
6	HYDRAULIC RAM	ZGPP33	2
7	RAM PIN	ZGPP95	4
8	M6x40 ROLL PIN	ZFAS30	4
9	WHEEL CARRIER PIVOT PIN	P001.148	2
10	M12x80 BOLT ZP	ZFAS47	2
11	M12 NYLOCK	ZFAS22	2
12	DOUBLE HOSE HOLDER	ZHYD14	6

END TOW ROLLER HYDRAULIC ASSEMBLY

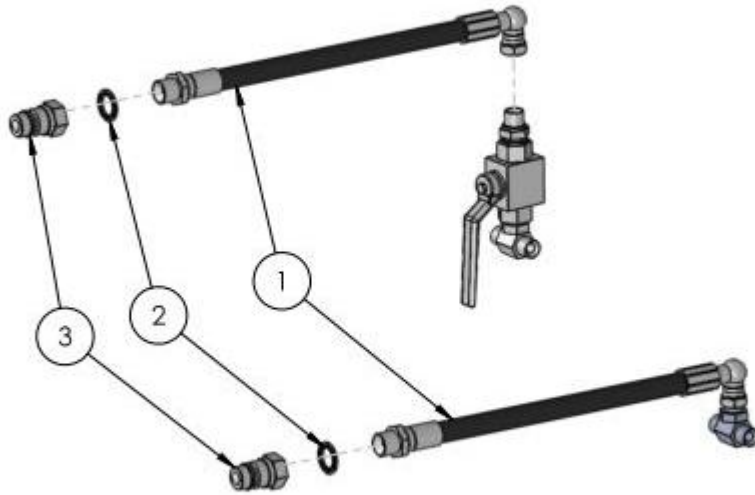


SEE TABLE NO: 008

TABLE NO: 008 12ft END TOW ROLLER HYDRAULIC ASSEMBLY

ITEM NO	DESCRIPTION	123612ET	
		CODE	QTY
1	HYDRAULIC RAM	ZGPP33	2
2	HYDRAULIC HOSE 3/8" x 8'6" LONG	ZHYD33	2
3	HYDRAULIC HOSE 3/8" x 8'6" LONG	ZHYD33	2
4	MALE HYDRAULIC T CONNECTOR	ZHYD52	2
5	DOWDY SEAL	ZHYD05	2
6	SHUT OFF VALVE	ZHYD04	1
7	M/M CONNECTOR	ZHYD03	1
	HYDRAULIC RAM SEAL KIT (NOT SHOWN)	HYDSK6	1

END TOW ROLLER TO TRACTOR HOSE ASSEMBLY

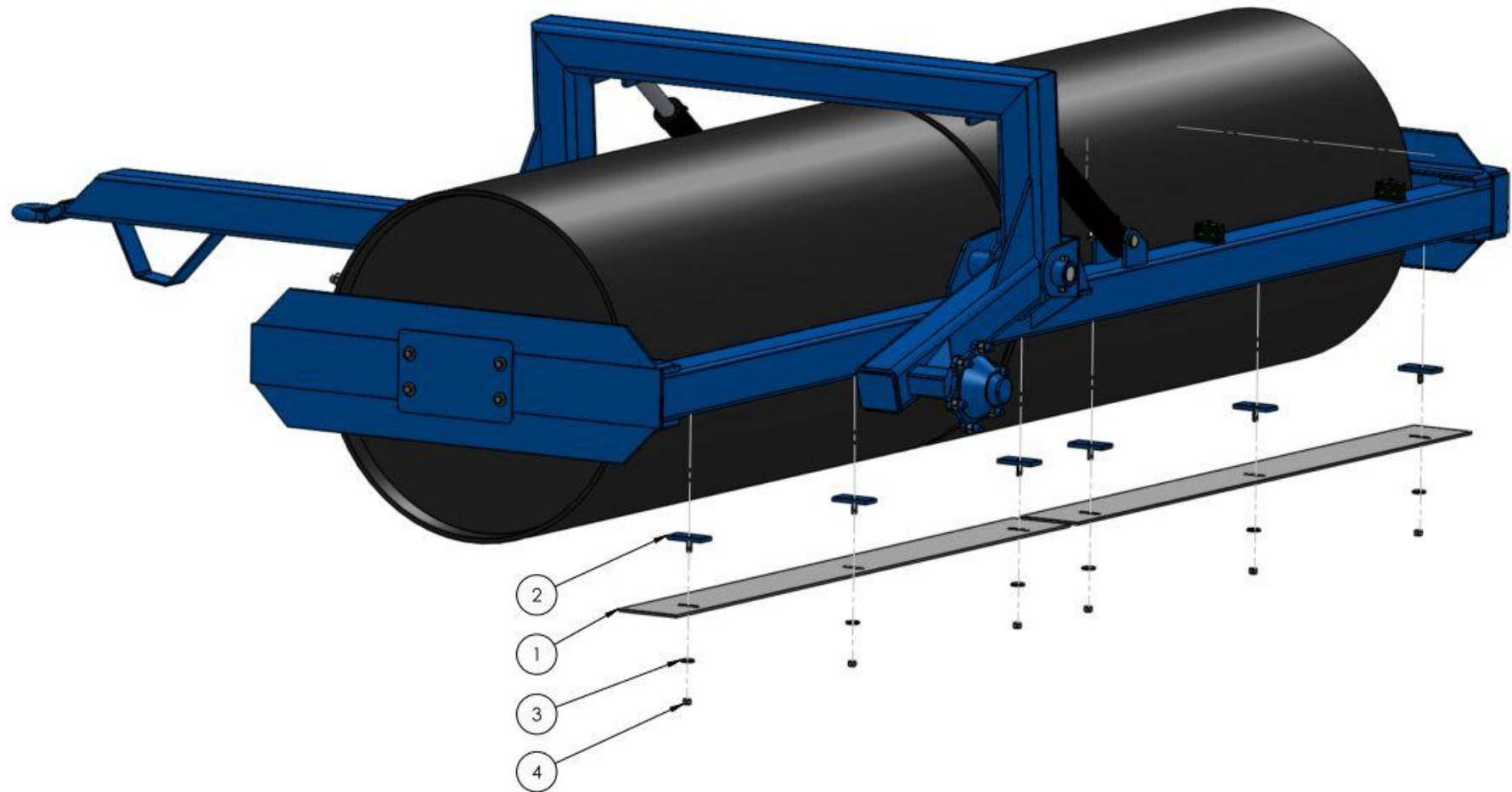


SEE TABLE NO: 009

TABLE NO: 009 12ft END TOW LANDROLLER TO TRACTOR HOSE ASSEMBLY

ITEM NO	DESCRIPTION	123612ET	
		CODE	QTY
1	3/8" x 7' HYDRAULIC HOSE	ZHYD02	2
2	DOWDY SEAL	ZHYD22	2
3	1/2" MALE PROBE	ZHYD26	2

END TOW ROLLER SCRAPER BLADE ASSEMBLY

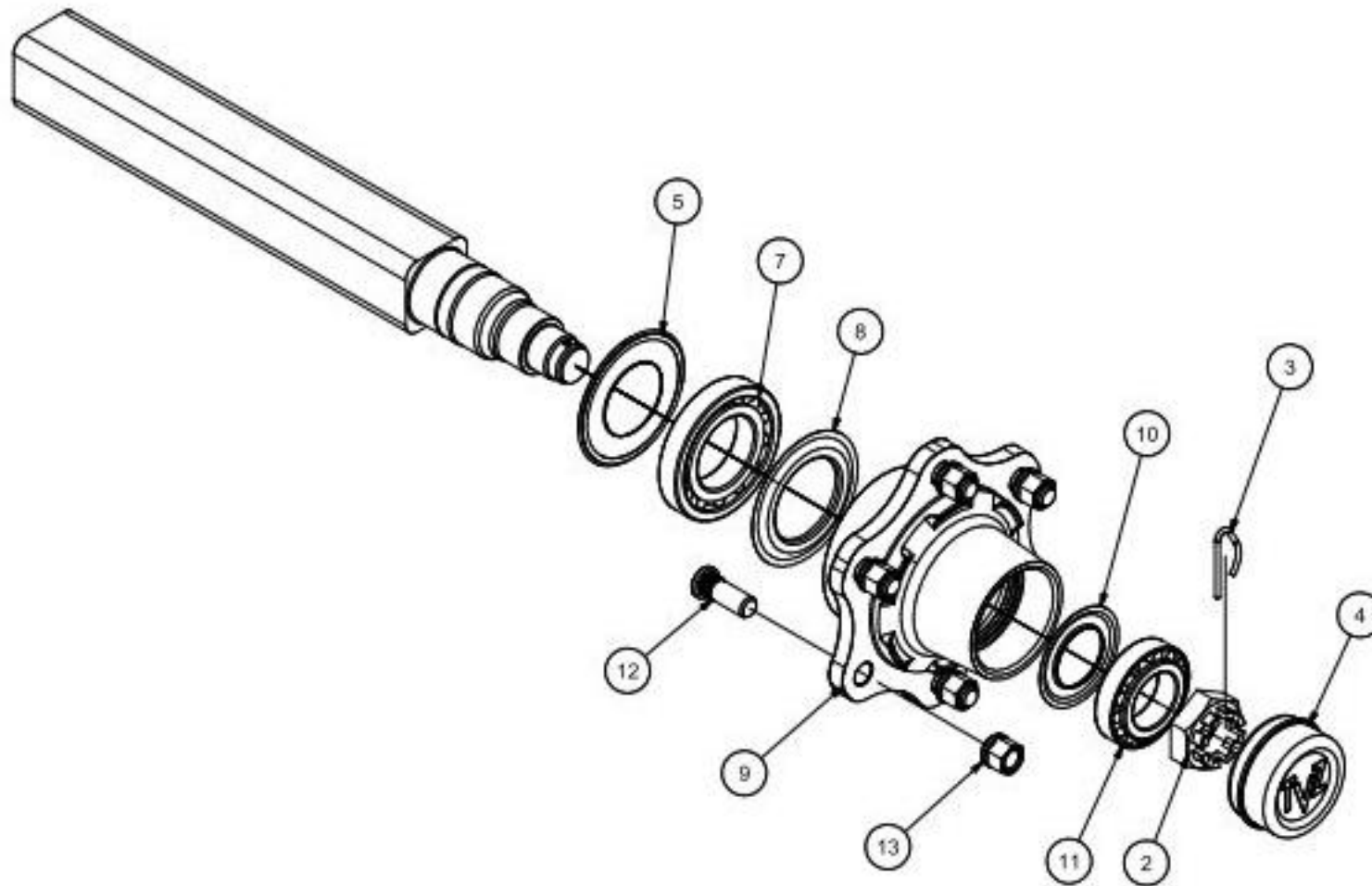


SEE TABLE NO: 010

TABLE NO: 010 12ft END TOW LANDROLLER SCRAPER BLADE ASSEMBLY

ITEM NO	DESCRIPTION	123612ET	
		CODE	QTY
1	SCRAPER BLADE KIT (EXCLUDES ITEM 2)	12SB	1
2	SCRAPER BLADE LOCATOR BRACKET	P001.149	6
3	M12 WASHER ZP	ZFAS45	6
4	M12 NYLOCK NUT	ZFAS22	6

ENDTOW LANDROLLER STUB AXLE ASSEMBLY PART NUMBER ZGPP204



SEE TABLE NO: 011

TABLE NO: 011 12ft END TOW LANDROLLER TVZ STUB AXLE ASSEMBLY

ITEM NO	DESCRIPTION	123612ET	
		CODE	QTY
2	CASTLE NUT	AX-57539B2	1
3	SPRING PIN	AX-58205	1
4	90mm DUST CAP	AX-56109009	1
5	DUST SEAL	AX-5411201	1
7	BEARING	AX-59130213	1
8	DUST SEAL	AX-551201	1
9	HUB	AX-61L6NA001	1
10	FRONT DUST SEAL	AX-5510901	1
11	BEARING	AX-59133210	1
12	WHEEL STUD	AX-18501.5	6
13	WHEEL NUT	AX-181.5	6