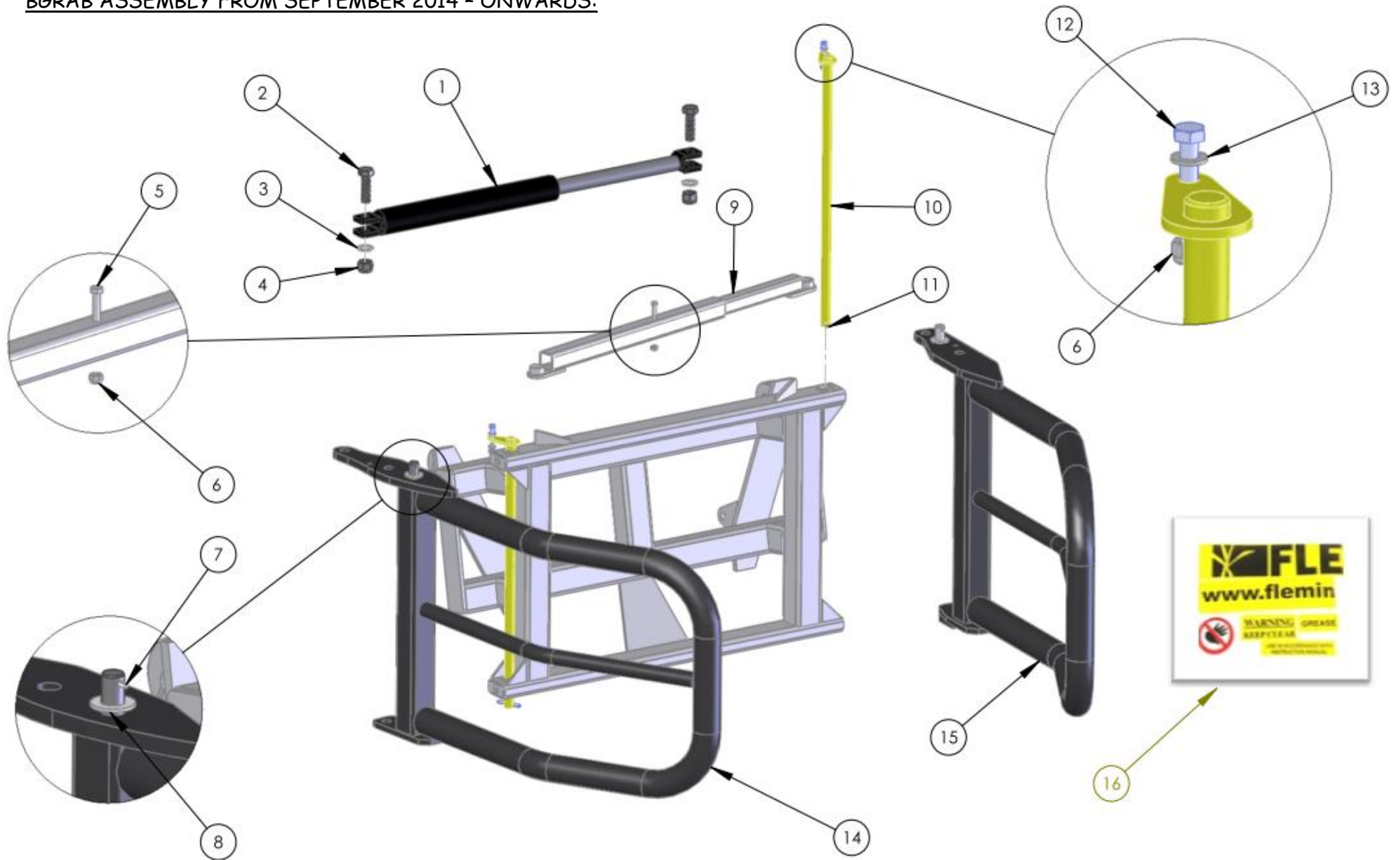




BGRAB SPARE PARTS LIST

BGRAB ASSEMBLY FROM SEPTEMBER 2014 - ONWARDS:

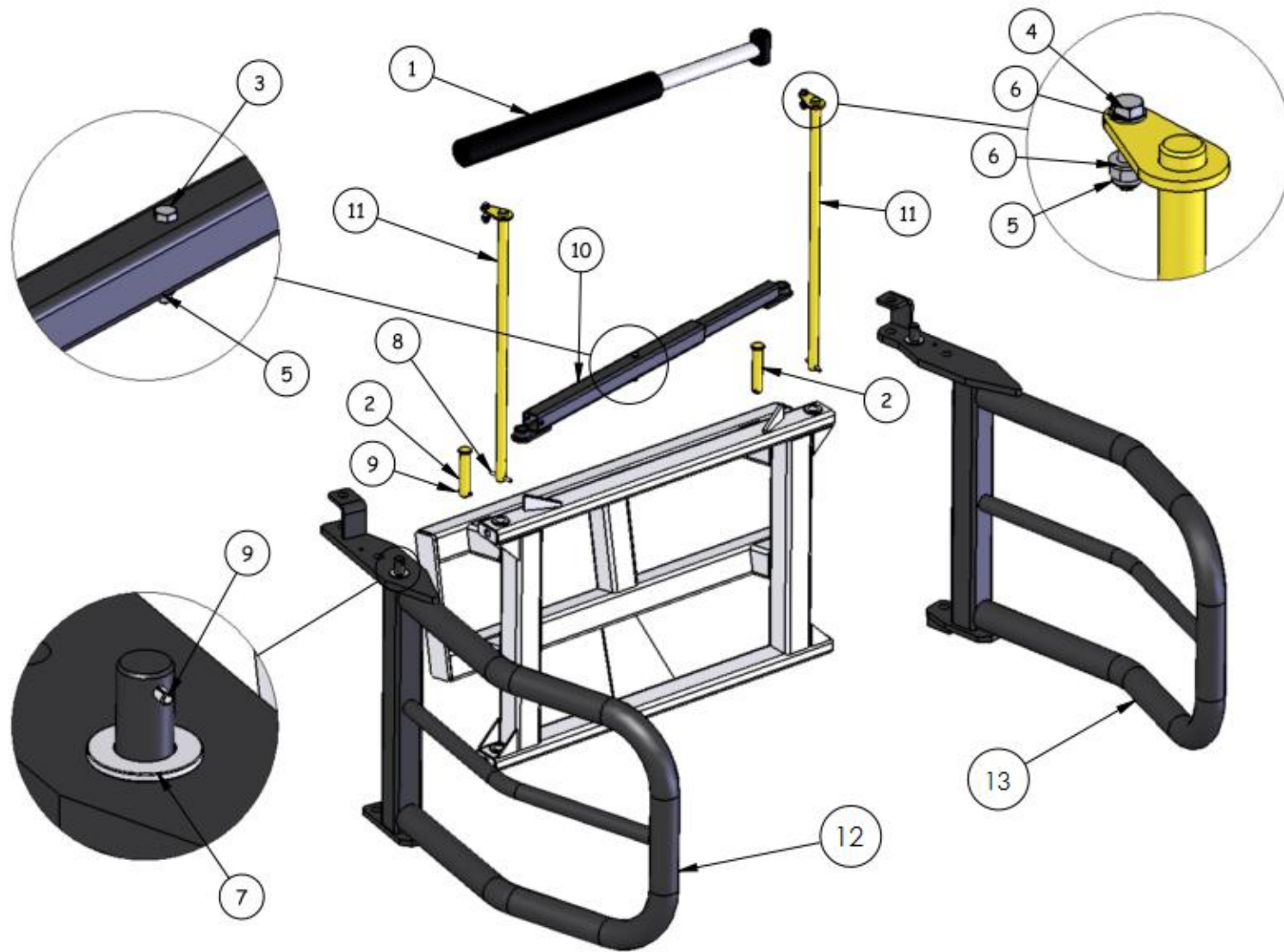


SEE TABLE NO: 001

TABLE NO: 001 ROUND BALE GRAB ASSEMBLY SEPT 2014 - ONWARDS

ITEM NO	DESCRIPTION	BGRAB	
		CODE	QTY
1	BALE GRABBER HYDRAULIC RAM	ZHYD19A	1
2	M24X80 BOLTS ZP	ZFAS155	2
3	M24 WASHER ZP	ZFAS134	4
4	M24 NYLOCK ZP	ZFAS21	2
5	M10 x 70 SET SCREW	ZFAS02	1
6	M10 NYLOCK	ZFAS20	3
7	M6 x 40 ROLL PIN	ZFAS30	4
8	1" GALVANIZED WASHER	ZFAS49	2
9	TRAVEL LIMITER BAR	P001.247	1
10	SWIVEL PIN	ZMAC84	2
11	M8 x 40 ROLL PIN	ZFAS106	2
12	M10 x 45 BOLT	ZFAS104	2
13	10mm WASHER	ZFAS03	4
14	RIGHT HAND BGRAB ARM	P001.244	1
15	LEFT HAND BGRAB ARM	P001.248	1
16	BGRAB STICKER KIT	P001.554	1
	HYDRAULIC RAM SEAL KIT	HYDSKBG	1

BGRAB ASSEMBLY UP TO SEPTEMBER 2014:



SEE TABLE NO: 002

TABLE NO: 002 ROUND BALE GRAB ASSEMBLY UPTO SEPT 2014

ITEM NO	DESCRIPTION	BGRAB	
		CODE	QTY
1	BALE GRABBER HYDRAULIC RAM	ZHYD19	1
2	BALE GRABBER HYDRAULIC RAM PIN	ZGPP95	2
3	M10 x 70 SET SCREW	ZFAS02	1
4	M10 x 45 BOLT	ZFAS104	2
5	M10 NYLOCK	ZFAS20	3
6	10mm WASHER	ZFAS03	4
7	1" GALVANIZED WASHER	ZFAS49	2
8	M8 x 40 ROLL PIN	ZFAS106	2
9	M6 x 40 ROLL PIN	ZFAS30	4
10	TRAVEL LIMITER BAR	P001.247	1
11	SWIVEL PIN	ZMAC84	2
12	RIGHT HAND BGRAB ARM	P001.249	1
13	LEFT HAND BGRAB ARM	P001.250	1
	HYDRAULIC RAM SEAL KIT	HYDSKBG	1