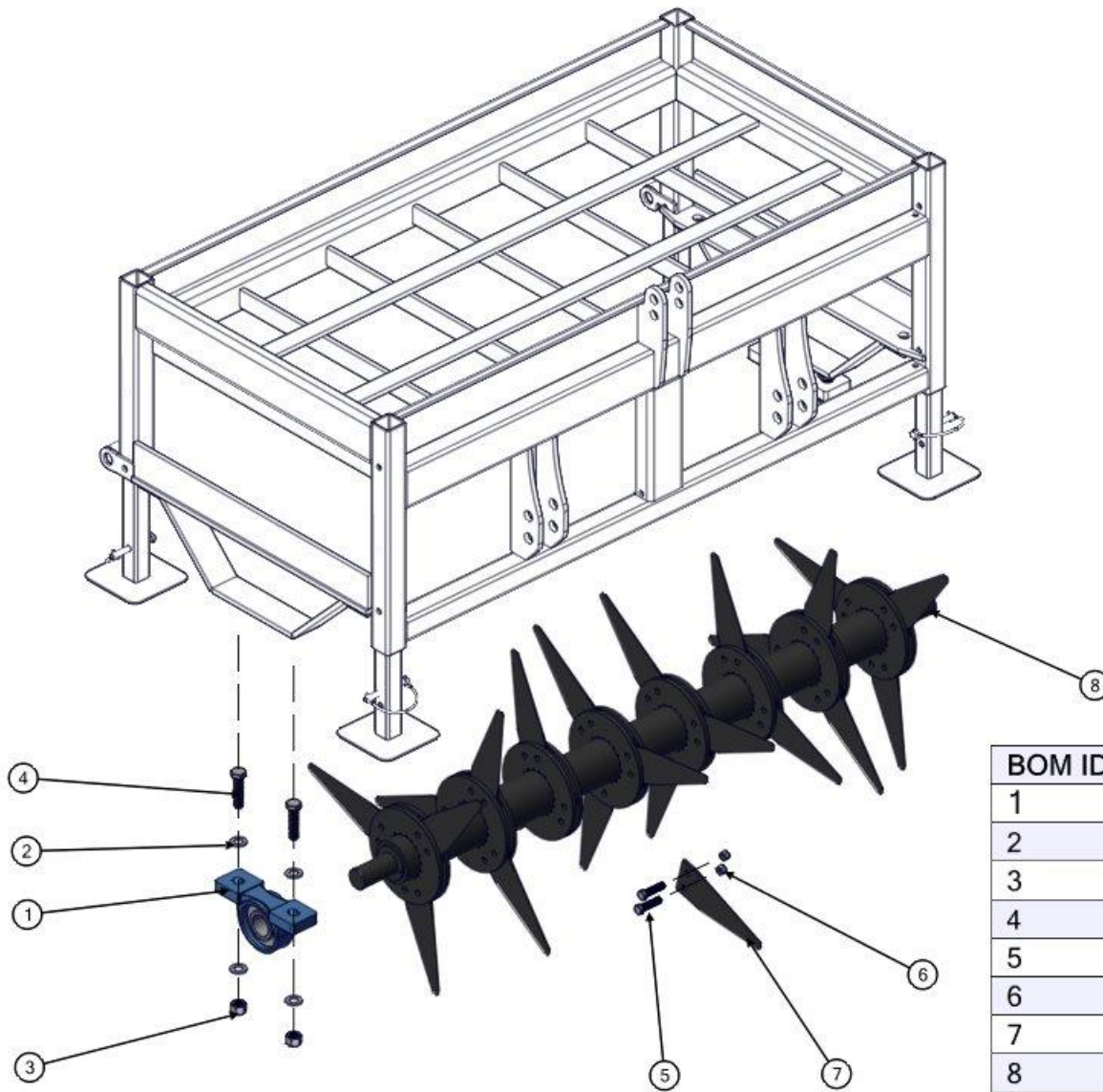
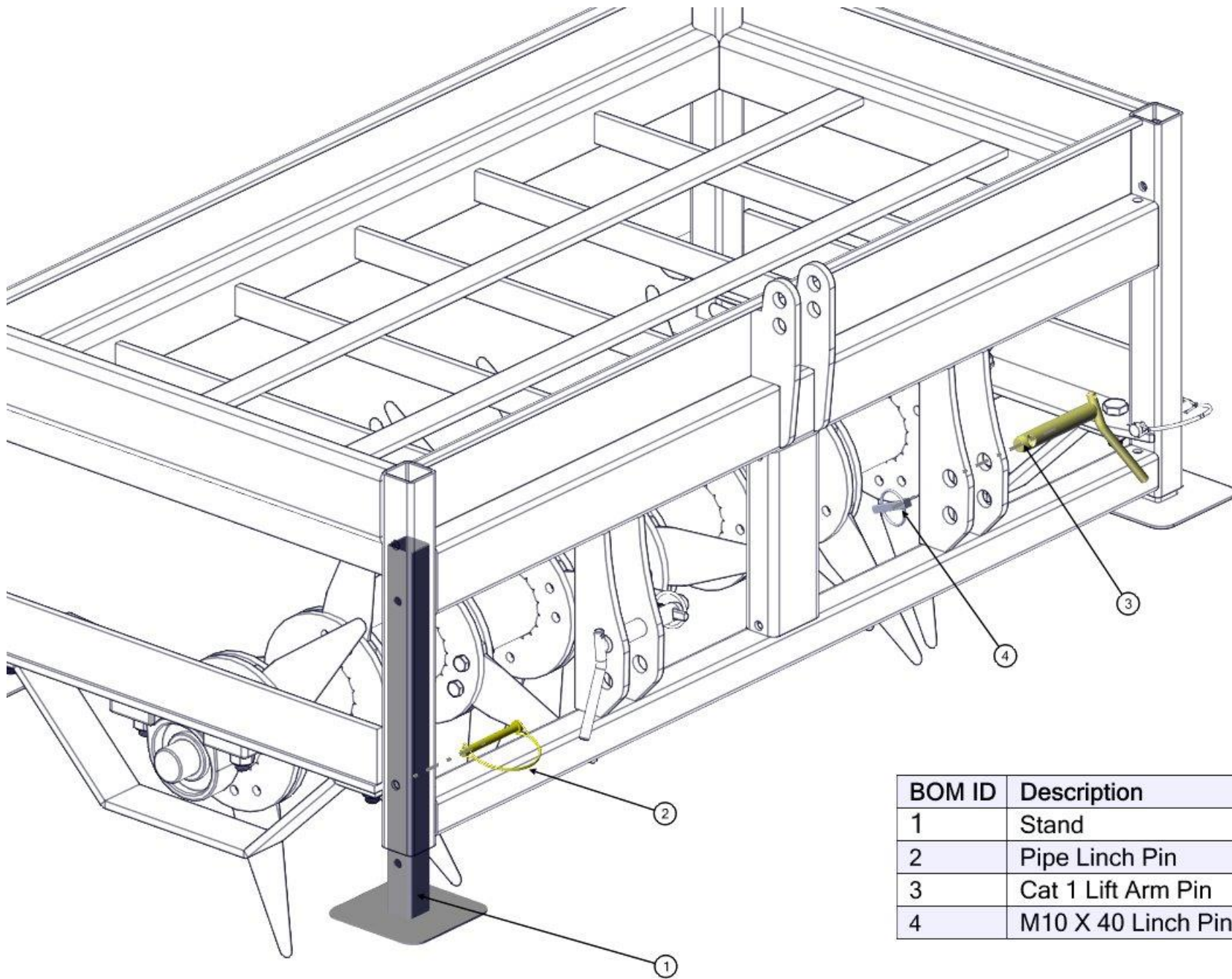


AR5, AR8 & AR10 SPARE PARTS LIST



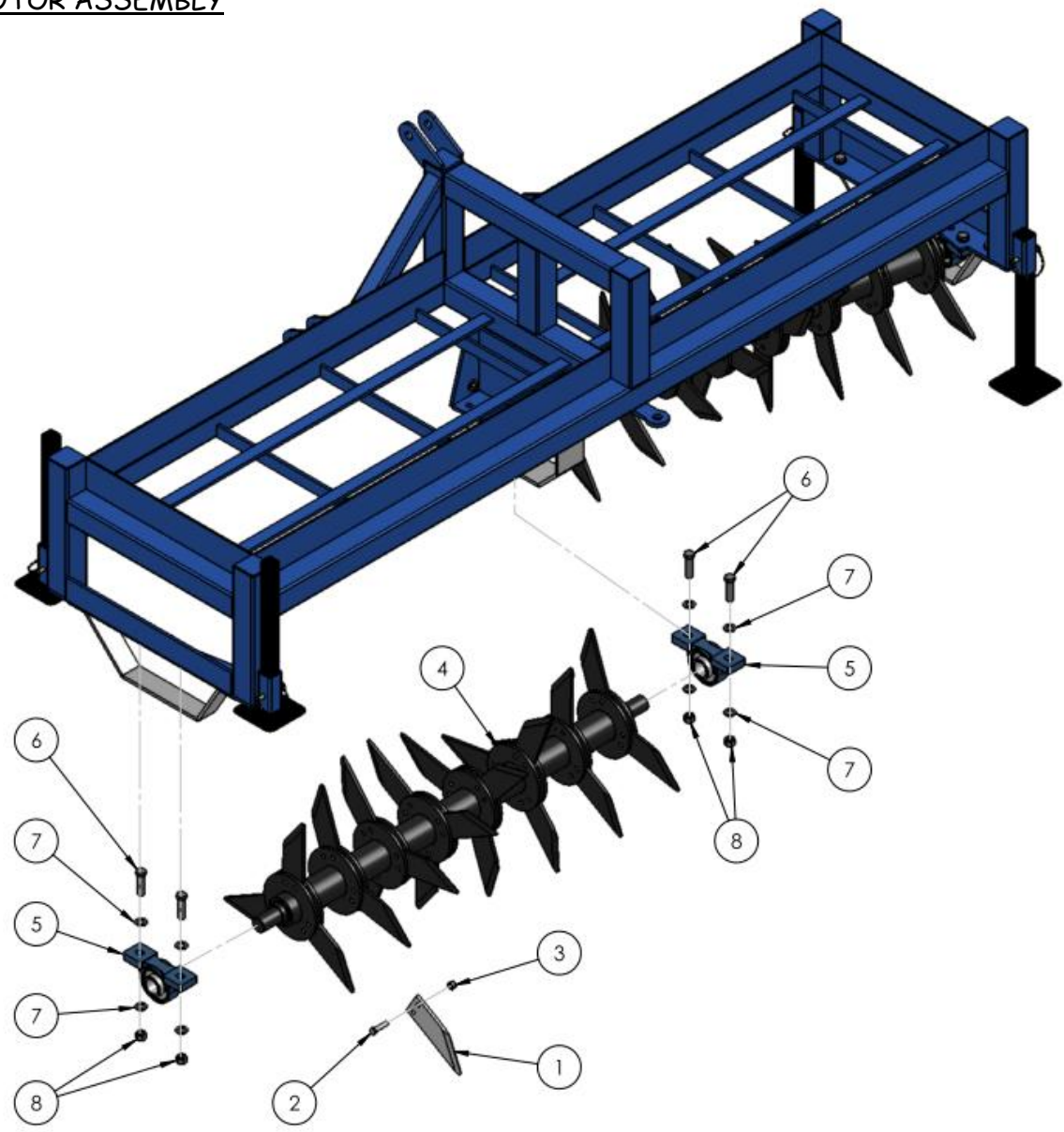


BOM ID	Description	PartNo.
1	Aerator Bearing	ZDRI24
2	M18 ZP Washer	ZFAS111
3	M18 Nylock	ZFAS80
4	M18 x 70mm Bolt	ZFAS121
5	1/2"x50mm UNF Bolt Z/P	ZFAS122
6	1/2" UNF Nylock Nut ZP DIN 985	ZFAS123
7	AR5 Aerator Blade	ZGPP178A
8	AR5 Rotor (No Blades)	P001.698



BOM ID	Description	PartNo.
1	Stand	P001.477
2	Pipe Linch Pin	ZGPP94
3	Cat 1 Lift Arm Pin	ZGPP70
4	M10 X 40 Linch Pin	ZFAS31

8ft & 10ft AERATOR ROTOR ASSEMBLY

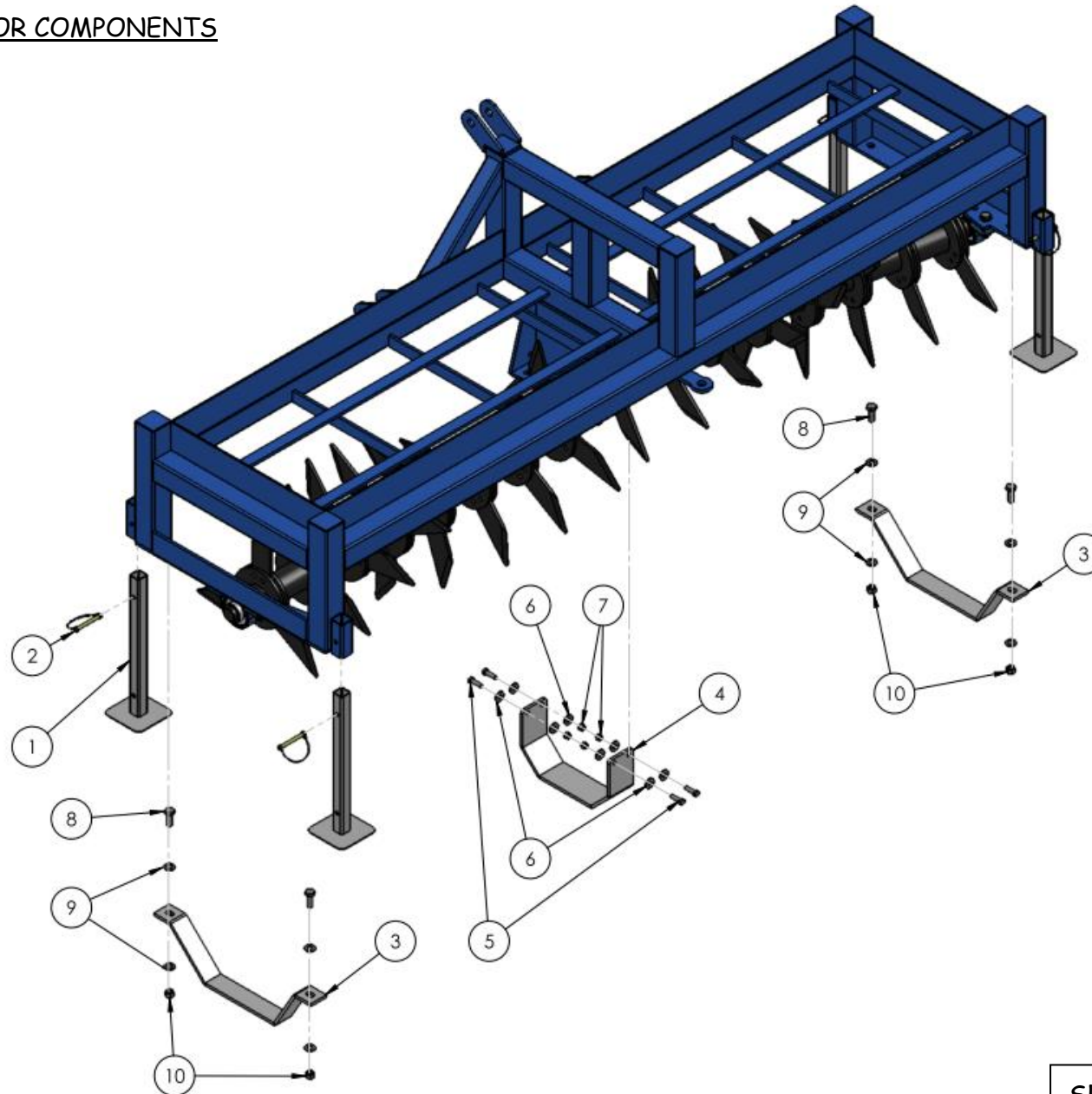


SEE TABLE NO: 001

TABLE NO: 001 8ft & 10ft AERATOR ROTOR ASSEMBLY

ITEM NO	DESCRIPTION	AR8		AR10	
		CODE	QTY	CODE	QTY
1	AERATOR BLADE	ZGPP178	42	ZGPP178	48
2	AERATOR BLADE BOLT	ZFAS122	42	ZFAS122	48
3	AERATOR BLADE BOLT NYLOCK NUT	ZFAS123	42	ZFAS123	48
4	8ft AERATOR ROTOR	P001.475	2		
4	10ft AERATOR ROTOR			P001.476	2
5	PILLOW BLOCK BEARING	ZDRI24	4	ZDRI24	4
6	M18x70 BOLT	ZFAS121	8	ZFAS121	8
7	M18 WASHER ZP	ZFAS111	16	ZFAS111	16
8	M18 NYLOCK NUT	ZFAS80	8	ZFAS80	8

8ft & 10ft AERATOR COMPONENTS



SEE TABLE NO: 002

TABLE NO: 002 8ft & 10ft AERATOR COMPONENTS

ITEM NO	DESCRIPTION	AR8		AR10	
		CODE	QTY	CODE	QTY
1	AERATOR STAND	P001.477	4	P001.477	4
2	STAND LINCH PIN	ZGPP94	4	ZGPP94	4
3	AERATOR SIDE SKID	P001.478	2	P001.478	2
4	AERATOR CENTRE SKID	P001.479	1	P001.479	1
5	M12x40 SETSCREW	ZFAS51	4	ZFAS51	4
6	M12 WASHER ZP	ZFAS45	8	ZFAS45	8
7	M12 NYLOCK NUT	ZFAS22	4	ZFAS22	4
8	M16x45 BOLT	ZFAS11	4	ZFAS11	4
9	M16 WASHER ZP	ZFAS36	8	ZFAS36	8
10	M16 NYLOCK NUT	ZFAS23	4	ZFAS23	4