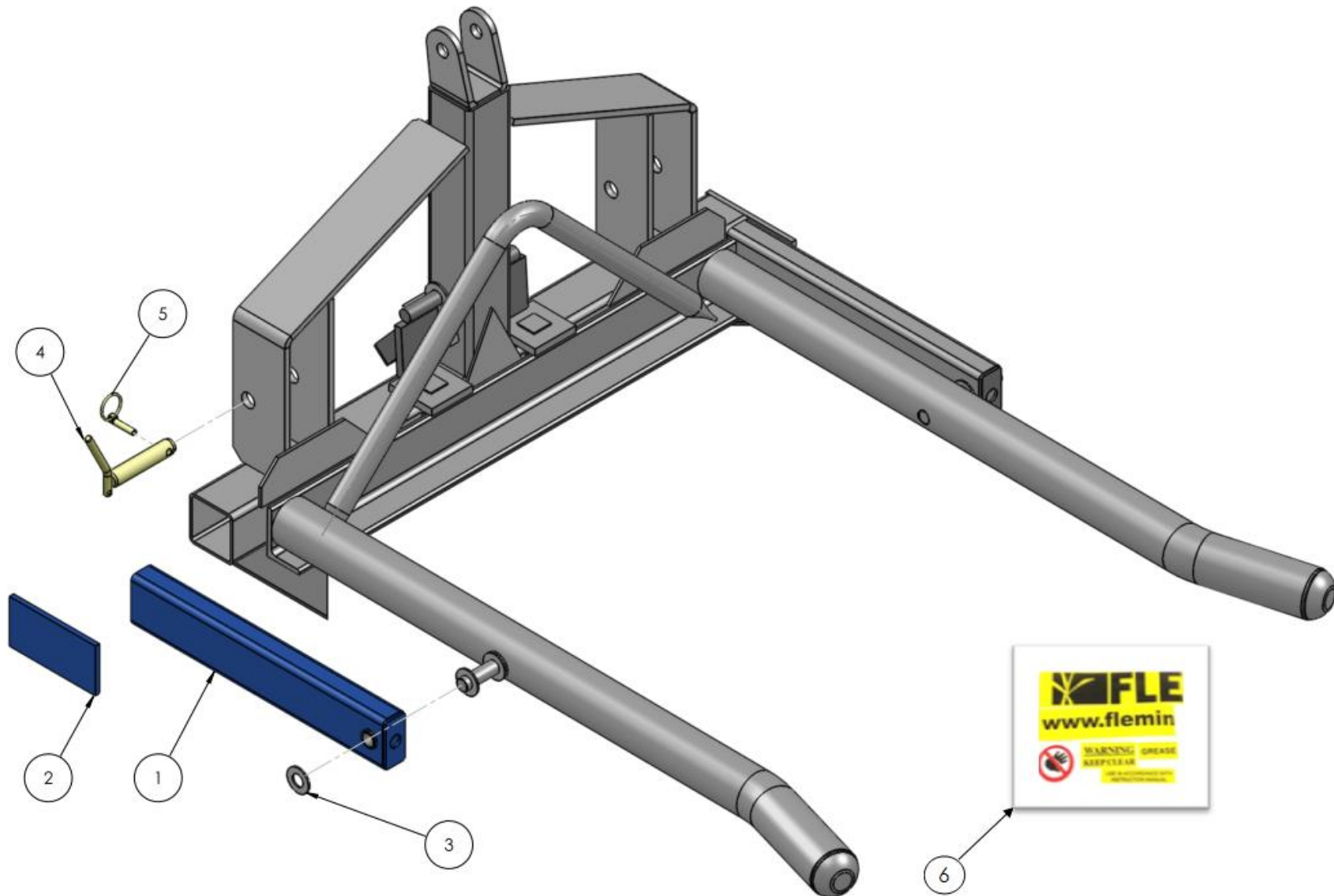


# STANDARD & HEAVY DUTY BALE TIPPER SPARE PARTS LIST



BALE TIPPER ASSEMBLY

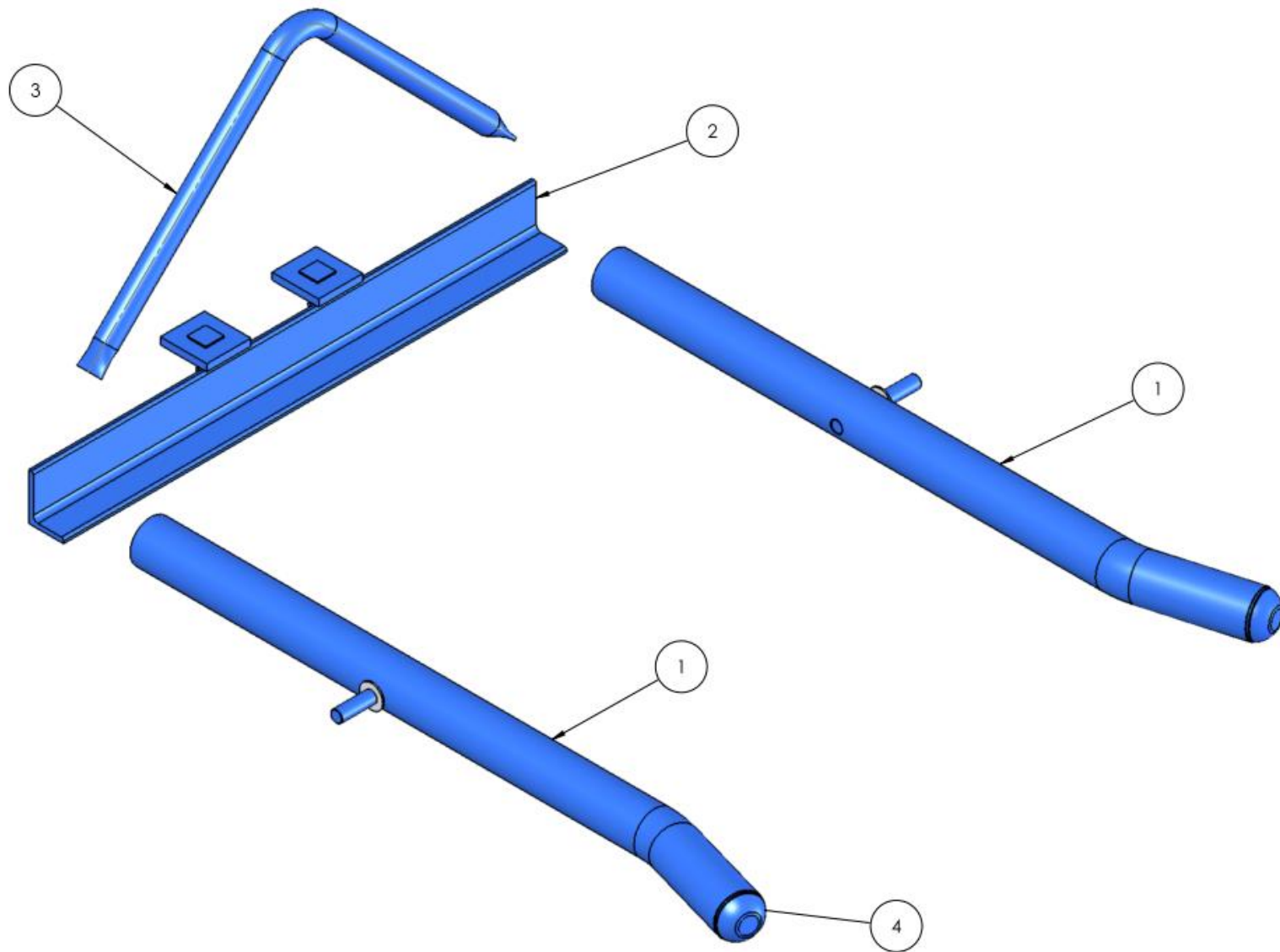


SEE TABLE NO: 001

**TABLE NO: 001 STANDARD AND HEAVY DUTY SINGLE BALE TIPPER ASSEMBLY**

ITEM NO	DESCRIPTION	SBBT		HDBBT	
		CODE	QTY	CODE	QTY
1	BALE TIPPER BOX SECTION (WELD ON)	P001.234	2	P001.235	2
2	REINFORCING PLATE (WELD ON)	P001.236	2	P001.237	2
3	1" WASHER SELF COLOUR	ZFAS25	2	ZFAS25	2
4	CAT2 LIFT ARM PIN	ZGPP62	2	ZGPP62	2
5	M10X40 LINCH PIN	ZFAS31	2	ZFAS31	2
6	SAFETY STICKER KIT	P001.501	1	P001.502	1

BALE CARRIER ASSEMBLY

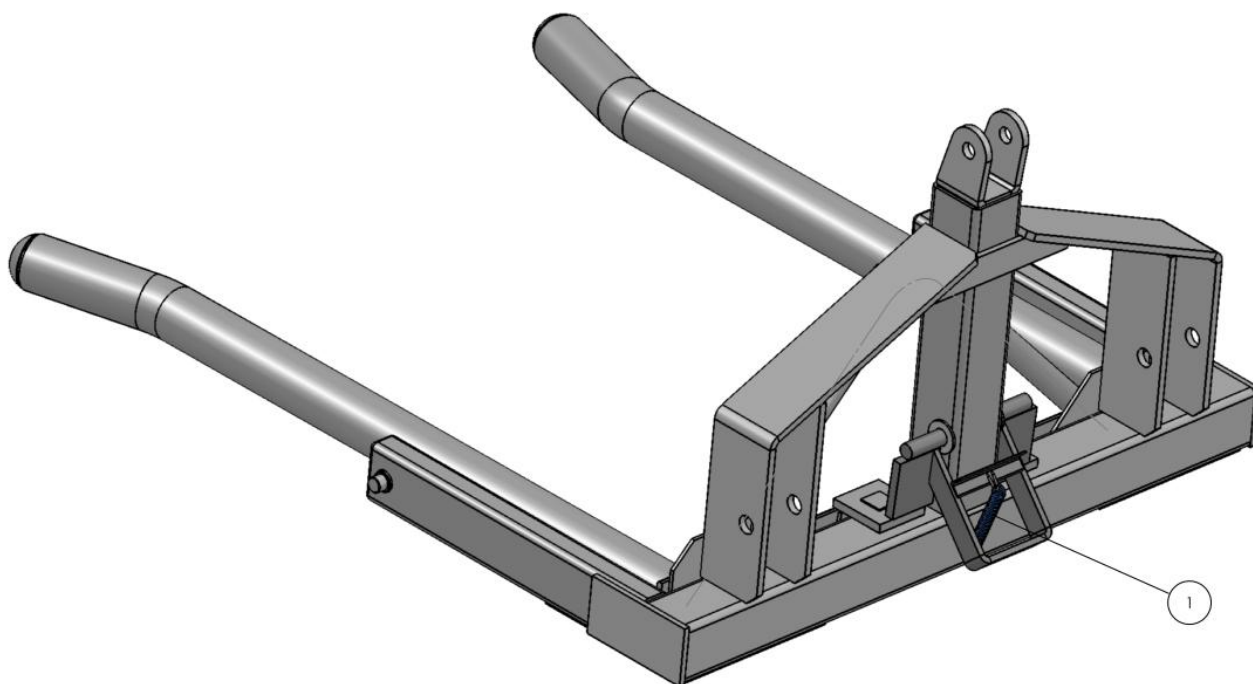


SEE TABLE NO: 002

**TABLE NO: 002 STANDARD AND HEAVY DUTY SINGLE BALE CARRIER ASSEMBLY**

ITEM NO	DESCRIPTION	SBBT		HDBBT	
		CODE	QTY	CODE	QTY
1	BALE TIPPER ARM	P001.238	2	P001.238	2
2	BALE TIPPER REAR TRIP FRAME	P001.239	1	P001.239	1
3	BALE GUARD	P001.240	1	P001.240	1
4	PIPE DOMED END	P001.233	2	P001.233	2

BALE TIPPER SPRING



SEE TABLE NO: 003

**TABLE NO: 003 STANDARD AND HEAVY DUTY SINGLE BALE TIPPER SPRING**

ITEM NO	DESCRIPTION	SBBT		HDBBT	
		CODE	QTY	CODE	QTY
1	LATCH SPRING	ZSPR01	1	ZSPR01	1