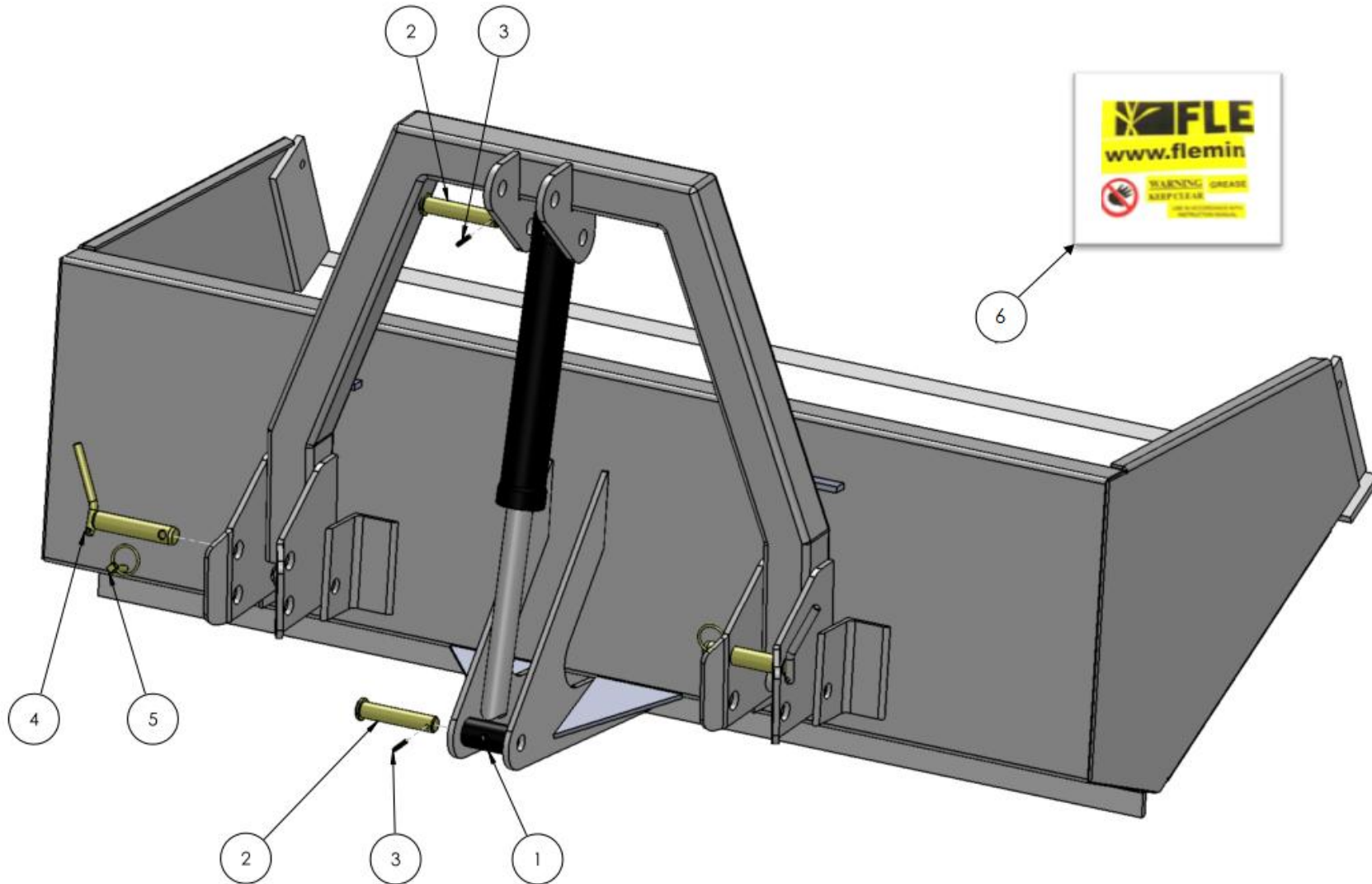


HYDRAULIC BOX SPARE PARTS LIST



HYD4, HYD5C and HYD5 ASSEMBLY

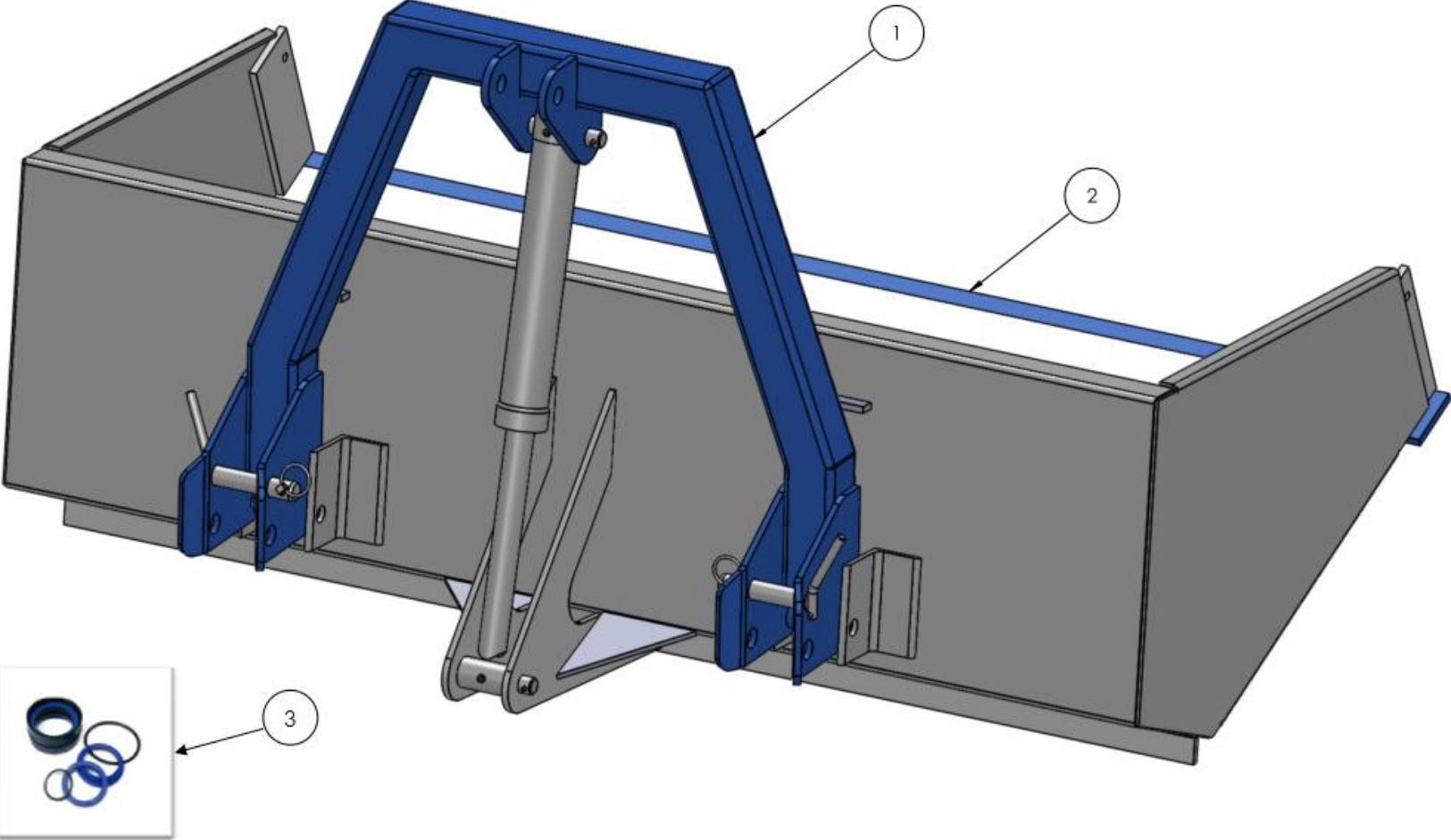


SEE TABLE NO: 001

TABLE NO: 001 HYD4,HYD5C and HYD5 ASSEMBLY

ITEM NO	DESCRIPTION	HYD4		HYD5C		HYD5	
		CODE	QTY	CODE	QTY	CODE	QTY
1	HYDRAULIC RAM	ZGPP60	1	ZGPP60	1	ZGPP33	1
2	RAM PIN	ZGPP95	2	ZGPP95	2	ZGPP95	2
3	M6 x 40 ROLL PIN	ZFAS30	2	ZFAS30	2	ZFAS30	2
4	LIFT ARM PIN	ZGPP70	2	ZGPP70	2	ZGPP62	2
5	M10x40 LINCH PIN	ZFAS31	2	ZFAS31	2	ZFAS31	2
6	STICKER KIT	P001.510	1	P001.511	1	P001.512	1
	HYDRAULIC HOSE	ZGPP35	2	ZGPP35	2	ZGPP35	2

HYD4, HYD5C and HYD5 A-FRAME ASSEMBLY

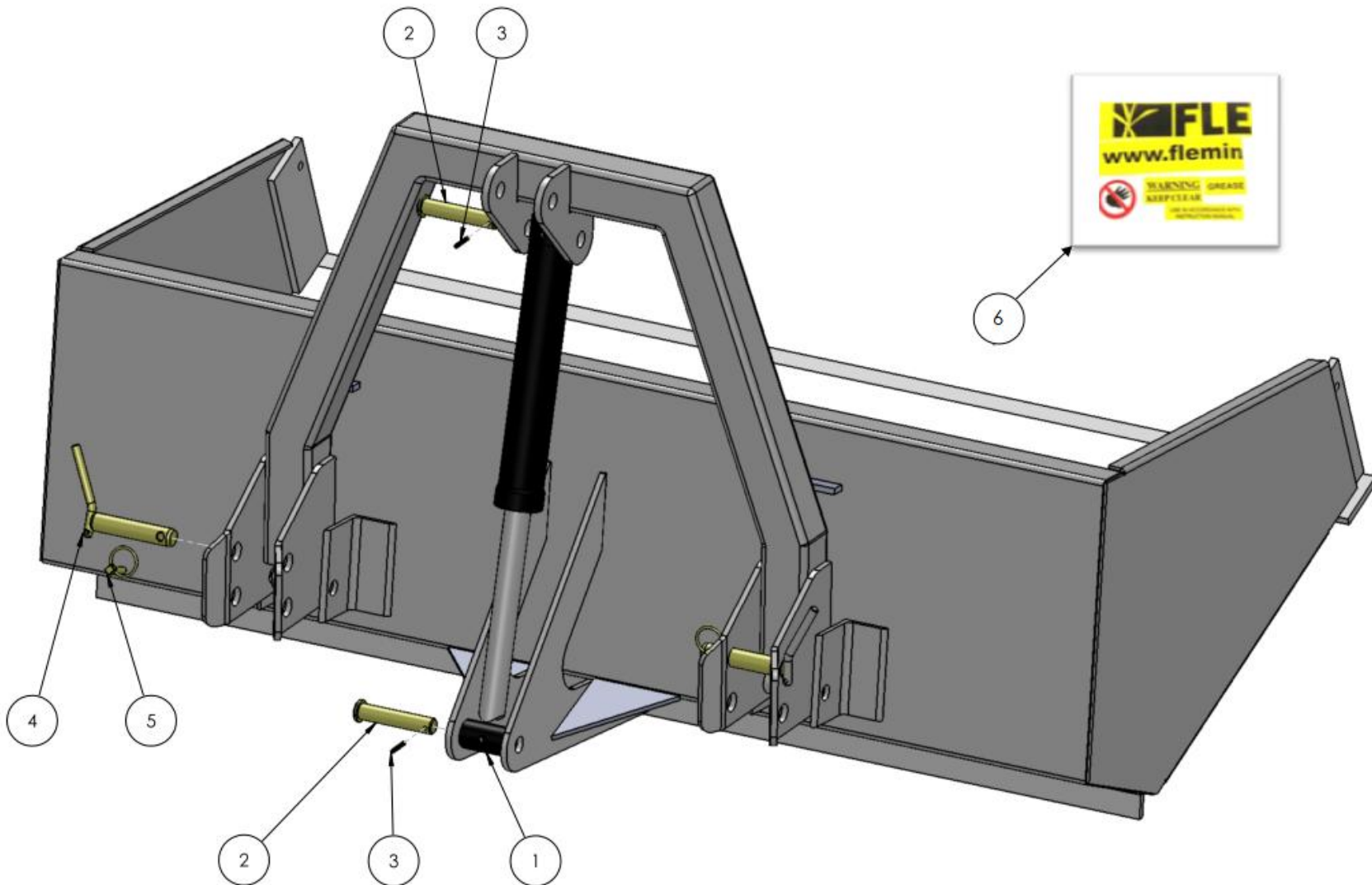


SEE TABLE NO: 002

TABLE NO: 002 HYD4,HYD5C and HYD5 A-FRAME ASSEMBLY

ITEM NO	DESCRIPTION	HYD4		HYD5C		HYD5	
		CODE	QTY	CODE	QTY	CODE	QTY
1	REPLACEMENT A-FRAME	P001.261	1	P001.262	1	P001.263	1
2	REPLACEMENT FRONT EDGE	P001.264	1	P001.265	1	P001.266	1
3	HYDRAULIC RAM SEAL KIT	HYDSK4	1	HYDSK4	1	HYDSK6	1

HYD6, HYD66 and HYD7 ASSEMBLY

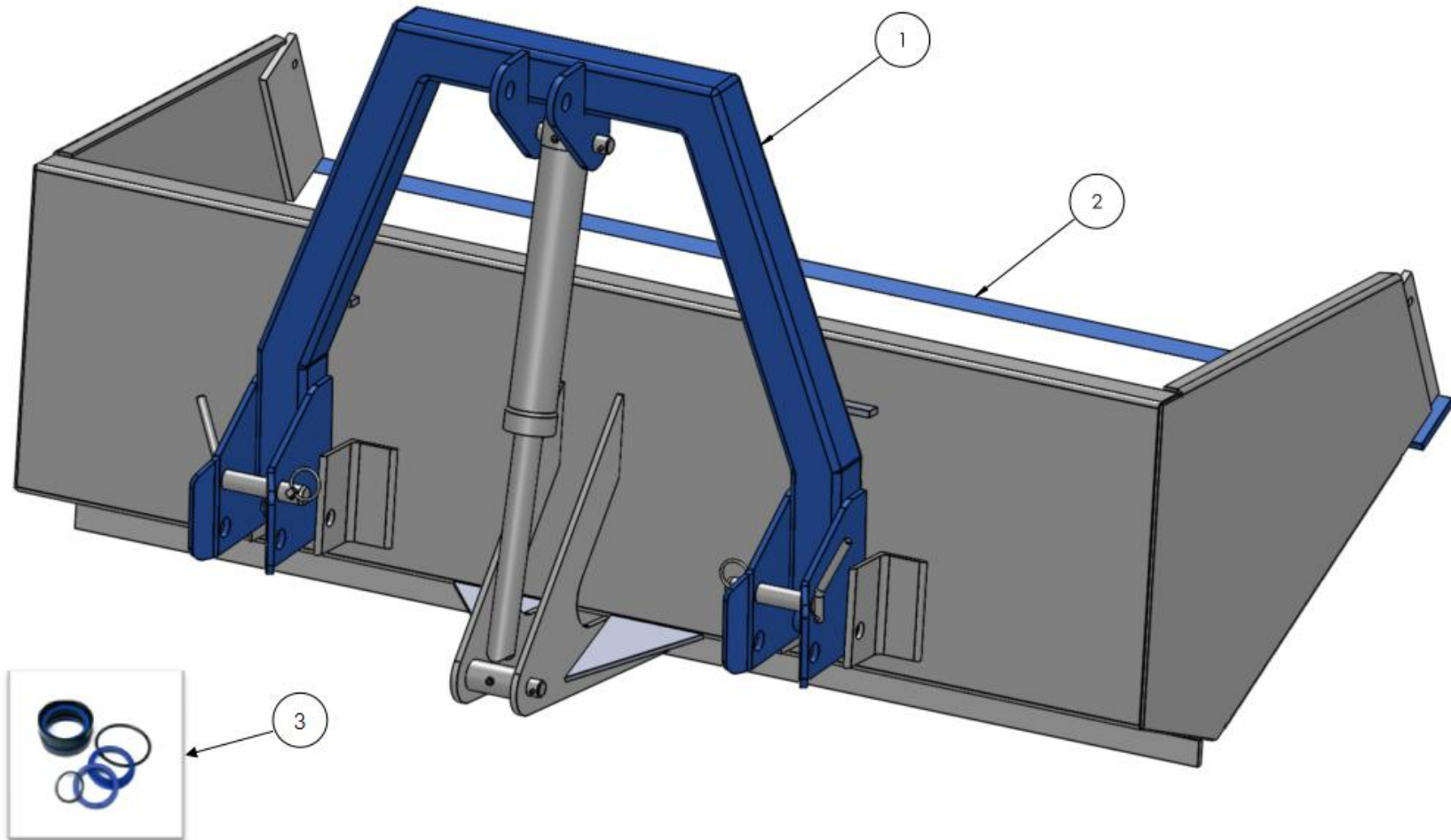


SEE TABLE NO: 003

TABLE NO: 003 HYD6,HYD66 and HYD7 ASSEMBLY

ITEM NO	DESCRIPTION	HYD6		HYD66		HYD7	
		CODE	QTY	CODE	QTY	CODE	QTY
1	HYDRAULIC RAM	ZGPP33	1	ZGPP34	1	ZGPP34	1
2	RAM PIN	ZGPP95	2	ZGPP96	2	ZGPP96	2
3	M6 x 40 ROLL PIN	ZFAS30	2	ZFAS30	2	ZFAS30	2
4	CAT2 LIFT ARM PIN	ZGPP62	2	ZGPP62	2	ZGPP62	2
5	M10X40 LINCH PIN	ZFAS31	2	ZFAS31	2	ZFAS31	2
6	STICKER KIT	P001.513	1	P001.514	1	P001.515	1
	HYDRAULIC HOSE	ZGPP35	2	ZGPP35	2	ZGPP35	2

HYD6, HYD66 and HYD7 A-FRAME ASSEMBLY



SEE TABLE NO: 004

TABLE NO: 004 HYD6,HYD66 and HYD7 A-FRAME ASSEMBLY

ITEM NO	DESCRIPTION	HYD6		HYD66		HYD7	
		CODE	QTY	CODE	QTY	CODE	QTY
1	REPLACEMENT A-FRAME	P001.267	1	P001.268	1	P001.269	1
2	REPLACEMENT FRONT EDGE	P001.270	1	P001.271	1	P001.272	1
3	HYDRAULIC SEAL KIT	HYDSK6	1	HYDSK7	1	HYDSK7	1