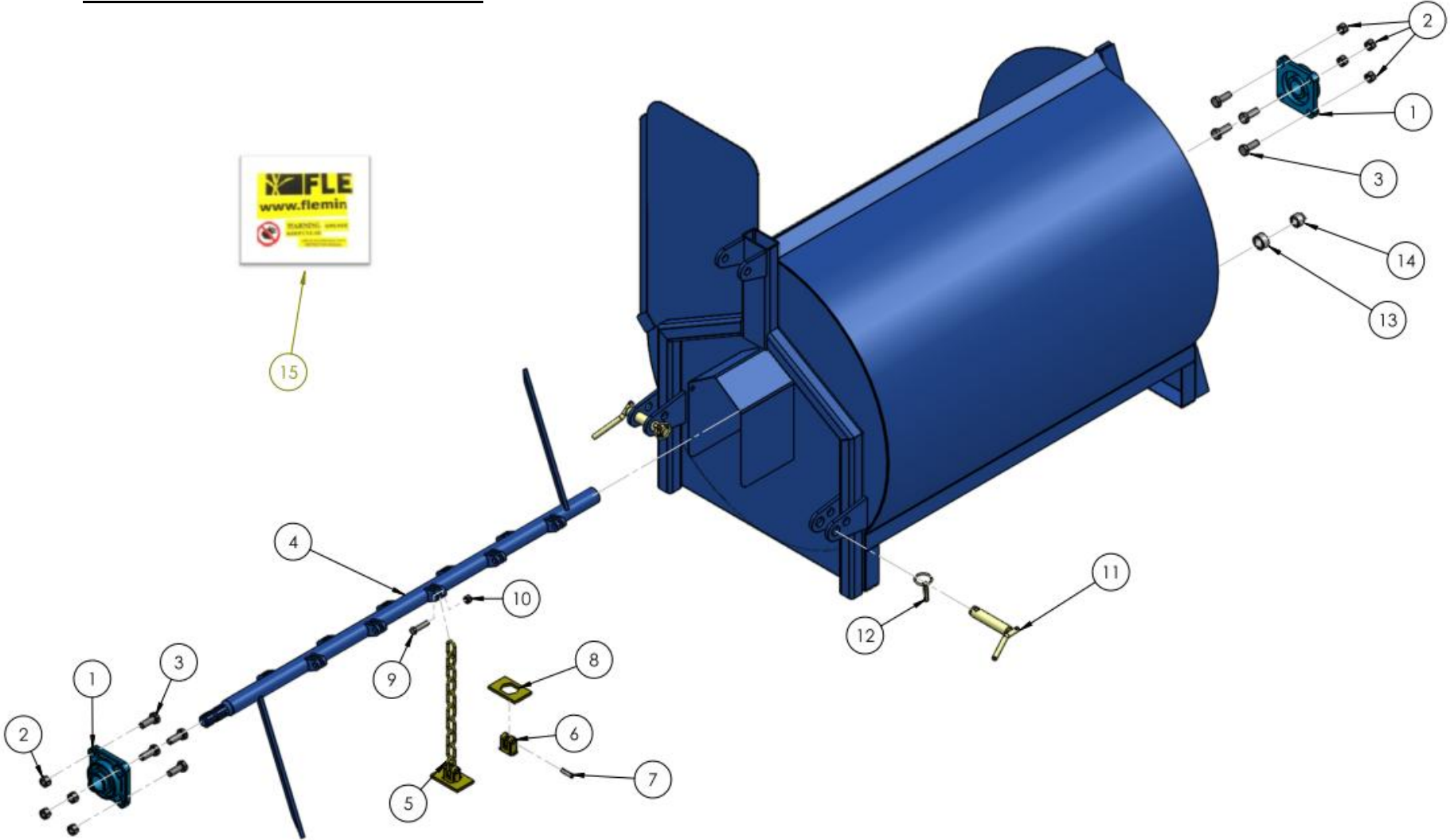


# MINI MUCK SPREADER

## SPARE PARTS LIST



MINI MUCK SPREADER ASSEMBLY



SEE TABLE NO: 001

| TABLE NO: 001 MINI MUCK SPREADER ASSEMBLY |                                   |          |     |
|---|-----------------------------------|----------|-----|
| ITEM NO                                   | DESCRIPTION                       | MINIMUCK |     |
|   |                                   | CODE     | QTY |
| 1   | BEARING                           | ZGPP48   | 2   |
| 2   | M16 NYLOCK NUT                    | ZFAS23   | 8   |
| 3   | M16x45 BOLT ZP                    | ZFAS11   | 8   |
| 4   | ROTOR                             | ZMAC51   | 1   |
| 5   | CHAIN COMPLETE (EXCLUDES ZGPP123) | ZGPP125A | 10  |
| 6   | WEIGHT                            | MSW3020  | 10  |
| 7   | ROLL PIN                          | MSWP     | 10  |
| 8   | 4"x2" PLATE (OPTIONAL)            | ZGPP123  | 10  |
| 9   | M12x50 BOLT ZP                    | ZFAS15   | 10  |
| 10  | M12 NYLOCK NUT                    | ZFAS22   | 10  |
| 11  | CAT2 LIFT ARM PIN                 | ZGPP62   | 2   |
| 12  | M10x40 LINCH PIN                  | ZFAS31   | 2   |
| 13  | 1" WELDABLE SOCKET                | ZFAS33   | 1   |
| 14  | 1" BUNG                           | ZFAS32   | 1   |
| 15  | STICKER KIT                       | P001.552 | 1   |