

Integrated Mechanical Seed Drills

COMBILINER SITERA



www.kuhn.com



be strong, be **KUHN**



COMBILINER SITERA

3000

3500

4000

THE VERSATILE MECHANICAL DRILL COMBINATION



HOW TO SEED PRECISELY AND FAST IN ALL CONDITIONS

The COMBILINER SITERA series is noted for its exceptional versatility! It works efficiently on ploughed or min-tilled land, equipped with the SEEDFLEX coulter bar for high-quality seeding under any circumstances.

UNIFORM APPLICATION RATES IS WHAT YOU EXPECT

The volumetric fluted metering system, which is insensitive to vibrations, doses accurately from 1.5 to 450 kg.

LOOKING FOR AN INCREASED USER COMFORT

With its central working depth adjustment, its guidance by the harrow roller and electronic seed monitoring options, the COMBILINER SITERA seed drills are comfortable to use.

KUHN's COMBILINER SITERA seed drill series in brief:

	Working width (m/ft)	Number of rows	Hopper capacity (l)
SITERA 3000	3.00/9'10"	20 or 24	780 (1,080 with extension)
SITERA 3500	3.43 or 3.38/11'3" or 11'1"	24 or 27	900 (1,250 with extension)
SITERA 4000	4.00/13'	28 or 32	1,080 (1,480 with extension)





THE CENTREPIECE OF YOUR SEED DRILL!

Remember that 50% of your harvest is already determined during seeding. With the SEEDFLEX coulters you can be sure to manage this work step to your satisfaction. With its widely offset double discs, each pair mounted on a parallelogram, you can both seed fast and accurate.

THE PROS OF THE SEEDFLEX COULTER BAR:

- exceptional seeding precision,
- easy passage under most soil conditions,
- universally good performance in ploughed and in min-tilled land,
- a coulters pressure, which ensures an exceptional stability of the seeding units,
- no maintenance required.



ULTRA-SIMPLE AND FAST ADJUSTMENTS

Both the seeding depth and coulters pressure adjustments are centralized. There is no need to handle each row individually.

To find out more about the SEEDFLEX advantages, flash this code with your Smartphone.



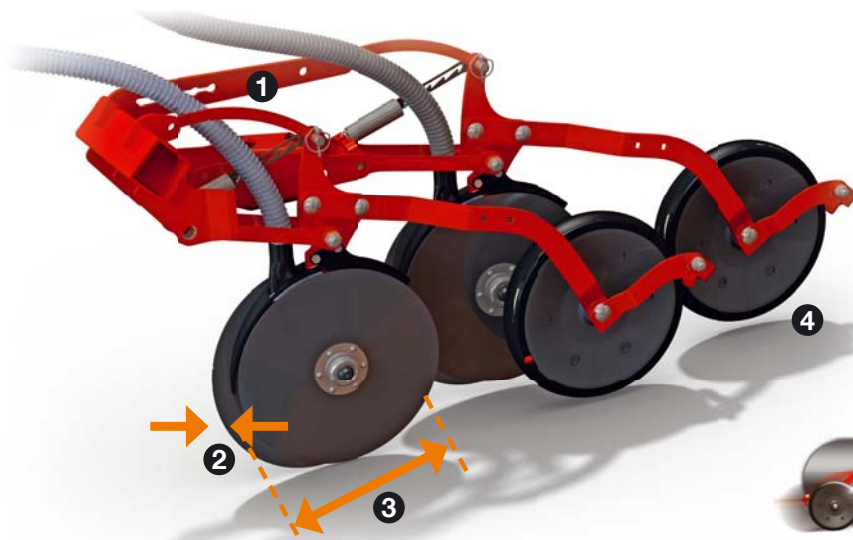
DLG TESTED: THIS SEED DRILL LIVES UP TO ITS PROMISES!

Source: DLG Test Report, Oct. 2013.

Test criterion	Field results for rape
Field emergence	very good
Depth placement	seeding depth of 2 cm respected
Seed covering	all grains sufficiently covered
Seed distribution in the row	variation factor of 1.05 = good
Accuracy of application	deviation of 0,0 % between calibrated and applied rate!



Covering the seeds and levelling the surface:
a performing covering harrow



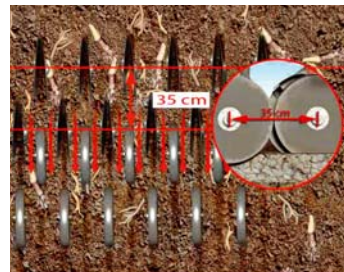
1. SEEDING DEPTH IS RESPECTED ALSO AT HIGH SPEEDS:

- seeding unit mounted on parallelogram
- depth control wheel for each row.



2. IMPROVED PENETRATION IN ALL SOILS:

- high offset of the double discs for clean furrow opening
- small disc opening angle to avoid soil spraying and to facilitate furrow closing.



EXCLUSIVE
3. EASIER PASSAGE IN CLAYEY SOIL AND IN THE PRESENCE OF PLANT DEBRIS:

big offset of 35 cm between the two coulters bars.



4. PROMOTING GOOD SOIL/ SEED CONTACT:

Depth control/press wheels row by row to control seeding depth and to ensure dynamic germination of the seeds.

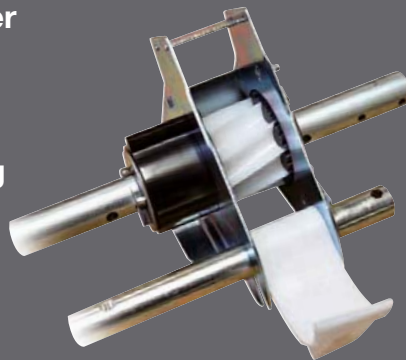


DISTRIBUTION UNDER CONTROL

Fluted seed metering is KUHN's answer to your question on how to ensure a precise and regular application rate. With this proven volumetric system, you will be satisfied also when working on slopes or on uneven terrain.

VOLUMETRIC FLUTING FOR VERSATILE SEEDS

This distribution system is accurate and reliable throughout the seeding campaign. The volumetric fluting doses from 1.5 to 450 kg, no matter the relief, the charging level of the hopper or the working speed. Insensitive to vibrations, it respects all sizes and shapes of seeds. For small seeds, an extra roller for fine seeds is integrated.



Oct13 Work quality

DLG FOKUS TEST: HELICA HAS ALSO CONVINCED IN THE TEST STAND

The applied seeding rates correspond to almost 100 % with the calibrated rates, the lateral distribution also doesn't leave much to desire.

Test criterion	Test result
Deviation of applied from calibrated application rate (wheat)	low to very low
Lateral distribution (wheat)	good to very good
Deviation of applied from calibrated application rate (barley)	very low
Lateral distribution (barley)	good
Deviation of applied from calibrated application rate (rape)	very low
Lateral distribution (rape)	very good



Rape

Wheat

Fava beans

Test stand results for wheat, barley and rape: accuracy of application, lateral distribution; source: DLG Test Report, Oct. 2013.



RELIABLE DRIVE FOR ALL APPLICATION RATES

Application rate reliability is ensured by a six-cam selector which controls the fluting accurately and evenly.

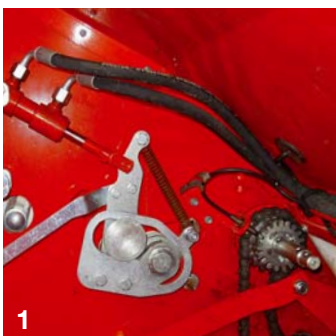


APPLICATION RATE RESPECTED ACCURATELY

- The application rate is adjusted via a single micrometric screw, which sets the size of flute opening. Result: accurate adjustment for a constant seed application rate.
- The metering uniformity of small seed amounts, for example in the case of rape, is improved by using the built-in «small seed» fluting.
- With the COMBILINER SITERA models, you change the seeds in a flash, without having to handle the distribution.



OPT FOR SIMPLICITY AND COMFORT!



1. HYDRAULIC ADJUSTMENT

This is a very simple and economical solution for application rate adjustment. Depending on the cylinder's attachment to the console, you can choose adjustment steps between +10 % and +20 %.

2. ELECTRONIC ADJUSTMENT

Application rates can also be adjusted during operation and directly from the cab. The QUANTRON SV-2 box guides an electric cylinder which controls the selector.



A SEED DRILL GUIDED BY THE ROLLER

On COMBILINER SITERA seed drills the coulter bar is fully guided by the roller. This is a big advantage, if a regular seeding operation is your aim. Stability and ground-hugging are optimized in stony conditions. The power harrow can easily be disengaged when meeting obstacles.



1. SIMPLIFIED ADJUSTMENTS

There is no need to readjust the coulter bar setting when changing the harrow's working depth, since the two are completely independent of each other.

2. USE THE POWER HARROW SOLO

The seed drill is rapidly removable from the power harrow, if you need to do a solo tillage passage.



This is how the dlz, a leading German agricultural journal, rates the COMBILINER SITERA 3000 mechanical seed drill after a 100 ha field test:

Attachment	■ ■ ■ ■ □
Seed hopper and loading	■ ■ ■ ■ □
Electronic control	■ ■ ■ ■ ■
Operational comfort and adjustments	■ ■ ■ ■ □
Work quality	■ ■ ■ ■ ■
Maintenance	■ ■ ■ ■ ■
Power harrow	■ ■ ■ ■ ■

very good ■ ■ ■ ■ ■
 good ■ ■ ■ ■ □
 satisfactory ■ ■ ■ □ □
 sufficient ■ ■ □ □ □
 insufficient ■ □ □ □ □

Source: dlz agrarmagazin, issue October 2013, p. 66-72.



A HOPPER TO GAIN WORKING AUTONOMY!

In the **COMBILINER SITERA** hopper you find your ideal ally when looking for increased autonomy and large operating ranges. With a maximum capacity of 1480 litres, it reduces time losses during seeding operations considerably. You can seed up to seven hectares of wheat without having to stop for reloading. Save a non-negligible amount of time!



3. EASY TO LOAD

To facilitate loading, the hopper has wide clearance with a cover opening to 110°. This is a big advantage for easy filling by bucket or big bag. The assistance provided by gas springs facilitates the opening of the hopper even on 4.00 m models.

4. EASY TO EMPTY

This hopper will always fully empty owing to its V-shaped base.



EVEN MORE AGRONOMIC POSSIBILITIES

SH 30/40 small seed hoppers can be fitted on the back of **COMBILINER SITERA** seed drills. Their purpose: increasing the agronomic possibilities for you. You can seed two types of seeds with different application rates without mixing them. For example, it is possible to establish spring barley as main crop and rye grass as soil surface cover. That's the best you can do to prevent erosion after harvest, increase your soil's humus content and support the soil fauna.

COMBILINER SITERA ELECTRONIC EQUIPMENT



ON-BOARD SEEDING CONTROL FOR YOUR COMFORT

KUHN has put a focus on electronic solutions for seed monitoring, which are simple, self-explaining and complete.

For the COMBILINER SITERA seed drills the space-saving HECTOR 3000 control box is standard. For even more extended possibilities, you can also opt for the new QUANTRON SV-2 terminal.



HECTOR 3000

GREAT EASE OF USE



YOUR SEEDING ASSISTANT

The HECTOR 3000 control box monitors your seed drill to ensure trouble-free seeding:

- hectare, daily and total counters;
- speed indicator;
- monitoring and alarms in the event of non-distribution, low seed level and markers lowered;
- symmetrical or asymmetrical marking of 2 to 20 passages, before and after germination.

QUANTRON SV-2

PROMOTING INCREASINGLY ACCURATE FARMING



SEEDING CONTROL WITHIN HAND'S REACH:

- seeding control: application rate adjustment, assistance with adjustment, tramlining;
- monitoring: distribution, seed level;
- seed management: recording seeds used, settings, etc.;
- field management: storage for 200 plots (type of seed, application rate);
- ease of use: adjustment assistant, only 1 calibration test necessary;
- ergonomics: wide screen, backlit buttons.

ADJUST THE APPLICATION RATE DURING SEEDING

An electric cylinder on the selector control is used to adjust the application rate. Easy modifications for ideal seeding control!

MORE USEFUL EQUIPMENT



EASY MANOEUVRING THANKS TO HYDRAULIC TOP LINK

This hydraulic top link, provided as standard, reduces the overhang during transport and manoeuvring. Your advantages in practice:

- more clearance for headland turns;
- the coulter bar can be lifted when passing through areas to be tilled but not seeded.



ACCURATE MARKING IN THE FIELD

Side markers fixed to the power harrow are available. Their vertical lift reduces dimensions when working on headland and facilitates access to the hopper for loading operations. Pre-emergence markers are also available. They are controlled automatically and can be folded up when not in use.



Technical specifications

Integrated Mechanical Seed Drills

	SITERA 3000		SITERA 3500		SITERA 4000	
Working width (m/ft)	3.00/9'10"		3.43/11'3"	3.38/11'1"	4.00/13'	
Number of rows	20	24	24	27	28	32
Spacing (cm/in)	15	12.5	14.3	12.5	14.3	12.5
Hopper capacity, approx. (l)	780 (1,080 with extension)		900 (1,250 with extension)		1,080 (1,480 with extension)	
Application rate (kg/ha)	1.5 to 450					
Metering unit drive	per variator and fluted cells with opening adjustable by micrometric screw					
Number of disengageable metering units	2 x 5					
Seeding units	SEEDFLEX with offset double discs and press wheel					
Central seeding depth adjustment	◆					
Left side half-width shut-off	◆					
Covering harrow	◆ (trailing tines adjustable in pressure and angle)					
Lighting and signalling equipment	◆					
Weight (kg/lbs)	1,015/2,240	1,100/2,425	1,310/2,890	1,370/3,020	1,485/3,27	1,570/3,460

◆ standard ◊ option - not available

Optional equipment: hopper extension - hydraulic application rate adjustment - side markers fitted on the power harrow - pre-emergence markers - wheel mud scrapers - side signalling panels - press wheel mud scrapers.

Find more information about KUHN's expertise in seeding on www.kuhn.com



SMALL PROGRAMS WITH GREAT IMPACT



OPTIMIZE THE SETTINGS OF YOUR SITERA SEED DRILL!

KUHN has developed a calibration assistant to help you determine the appropriate settings for your seed drill and seeding conditions (seed type, quantity, etc). This smartphone app also provides you with a seeds/m² to kg/ha convertor. Available on the Apple Store and Google Play.



Flash this code for direct access to the KUHN seeding assistant.

Check out the most complete range of seed drills on the market




1. mounted mechanical / 2. integrated mechanical / 3. with front hopper / 4. integrated pneumatic / 5. mounted drill combination / 6. mounted min-till / 7. trailed min-till / 8. precision seed drills.

For more information about your nearest KUHN dealer, visit our website www.kuhn.com



Visit us on our YouTube channels.

 <p>www.kuhn.com</p>	<p>Your KUHN dealer</p>
---	-------------------------

KUHN S.A.

4 Impasse des Fabriques - BP 50060
F-67706 Saverne CEDEX - FRANCE

KUHN NORTH AMERICA, INC.

1501 West Seventh Avenue - Brodhead,
WI 53520 - USA

KUHN FARM MACHINERY PTY. LTD

313-325 Foleys Road - Deer Park, VIC, 3023 - AUSTRALIA

KUHN FARM MACHINERY (U.K.) LTD

Stafford Park 7 - GB TELFORD/ SHROPS TF3 3BQ

Information given in this document is only for information purposes and is non-contractual. Our machines are in compliance with regulations in force in the country of delivery. In our literature, and for improved illustration of certain details, some safety devices may not be in operating position. When operating these machines, these devices must be in position in accordance with the requirements indicated in the operator's manuals and assembly manuals. Respect the tractor gross vehicle weight rating, its lift capacity and maximum load per axle and tyres. The tractor front axle load must always comply with the regulations of the country of delivery (In Europe, it must reach minimum 20 % of the tractor net weight). We reserve the right to change any designs, specifications or materials listed without further notice. Machines and equipment in this document can be covered by at least one patent and/or registered design. Trademarks cited in this document may be registered in one or several countries.

Also find KUHN on

