

Mounted sprayers



www.kuhn.com

DELTIS 2

1000, 1300 & 1500



be strong, be **KUHN**



DELTA 2

1302

KEEPING IT SIMPLE!



A SPRAYER SUITED TO YOUR NEEDS!

Are you looking for a simple ergonomic and easy to use sprayer?

DELTA 2 is perfect for you!

This sprayer features a simple and efficient design and offers outstanding ergonomics and ease of use.

The implementation coupled with the patented OPTIFILLER chemical induction bowl provides the user with the utmost security without compromising performance.

The aluminium boom mounted on the OPTILIFT suspended parallelogram will guarantee optimum quality and reliability at all times.



Find the KUHN solution

Mounted machines

	Tank capacity (L)	Working width (m)
DELTA 2	1000, 1300 & 1500 L	14 to 24 m



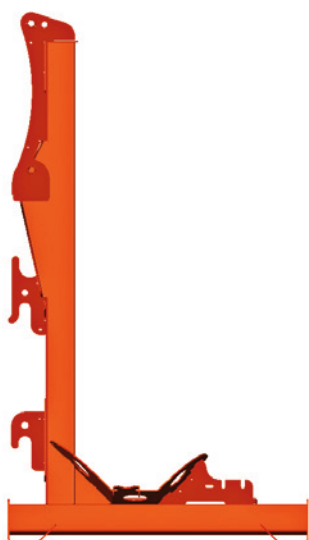
CARRY MORE VOLUME WITH THE



WHY USE AN L-SHAPED FRAME?

You cannot always use your largest tractor for spraying operations; therefore the design of the frame and the "OPTILIFT" parallelogram features one of the lightest unladen weights on the market and a centre of gravity positioned very far forward.

The sprayer hitching system is integrated within the machine's outline maintaining the sprayer near to the tractor and allowing for maximum load transfer onto the tractor.

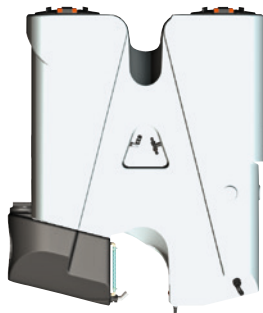


"EASY-HITCH", CONNECT, REVERSE AND LIFT

The DELTIS 2 sprayer "EASY-HITCH" concept (as standard) provides quick, comfortable and safe hitching.

Easy set-up with no stand and a hitching frame weighing only 16 kg.

SAME TRACTOR!



MORE THAN A SIMPLE TANK!

The special shape of the main tank makes it easy to empty even on steep slopes: the deep double-slope sump reduces the residual volumes. The position of the rinsing tank opposite the sump maintains the machine's balance throughout the spraying operation.

Real tank capacity: 1 130 - 1 405 - 1 620 litres

Real rinsing tank capacity: 170 litres

Built-in storage compartment as standard: 40 litres.



WANT MORE?

The combination of DELTIS 2 and the PF front-tank sprayer provides a real capacity of up to 3000 litres!

A single hose connects both sprayers: allowing for quick and easy hitching and rinsing operations.

During the spraying operation, both tanks are controlled using the control box of the DELTIS 2 sprayer, (PF available in 1000 and 1500 litre-capacity).

JUST LIKE ON BIGGER MODELS!

The DELTIS 2 sprayer features several practical accessories installed as standard:

- Main tank double-sided dry gauge,
- 40-litre sealed storage compartment,
- Rinsing tank wet gauge,
- Boom height indicator.



JUST AS SIMPLE INSIDE AND OUTSIDE

With only 3 main valves, the total number of filling operations required before rinsing is considerably reduced, and more importantly, the risk of error is eliminated. You can be sure that the sprayer is completely rinsed. Easy to use with a shorter circuit for less dead volume.



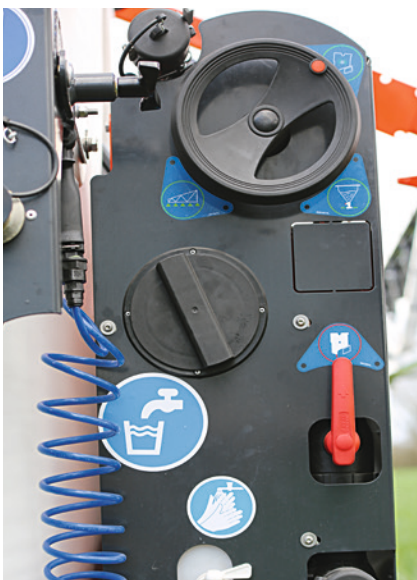
MANUSET

Perfectly control the mix of your chemicals.

During rinsing, a 360° rotation of the pressure valve hand wheel ensures that fresh water is projected into all sprayer circuits.

DILUSET + *

Rinse the sprayer or the boom from the cab. When filling, the pump automatically stops when the set amount is reached, while also keeping control at the working zone if needed with the Diluset + unit.



*available with the REB3, VISIOREB, and ISOBUS units



OPTIFILLER

OPTIFILLER CHEMICAL INDUCTION BOWL

LARGE VOLUME, COMPACTNESS AND SAFETY

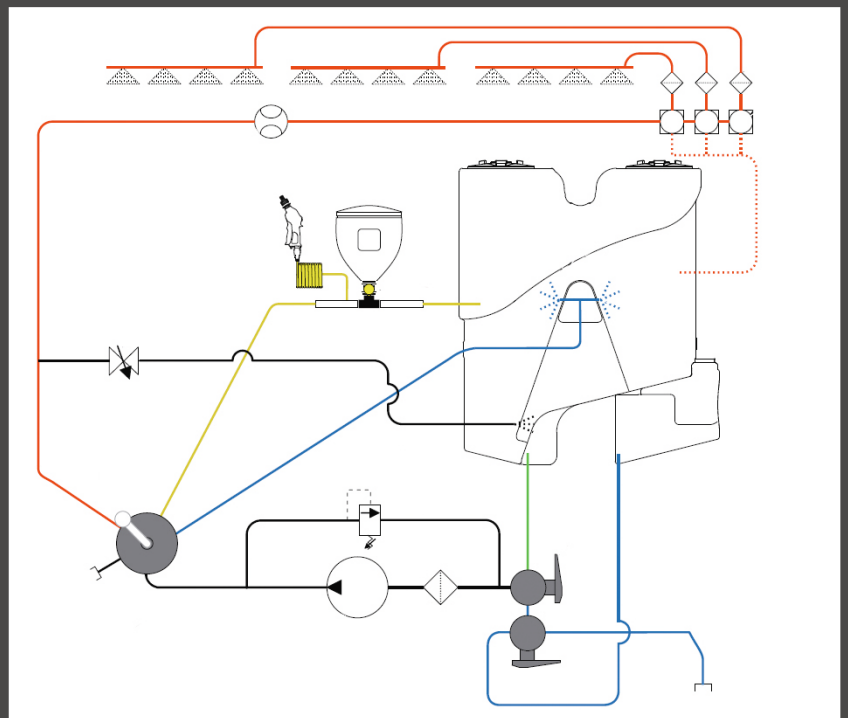
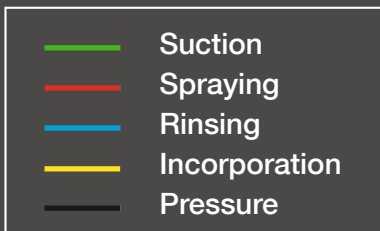
Composed of a durable material resistant to corrosive products, it is the first flexible chemical induction bowl built into a sprayer.

This KUHN patented chemical induction bowl allows for a capacity of 42 litres once it is extended and is fully integrated within the outline of the sprayer once it is retracted.



- The wide opening allows to easily and comfortably insert and rinse large containers.
- A hand-held lance is provided with the chemical induction bowl and allows for safe and quick rinsing operations.
- The active ingredients are incorporated with a foot control, without the need to bend down.

The DELTIS 2 spraying circuit is shown below with only 3 valves to control the entire circuit.



A PARALLELOGRAM JUST LIKE ON THE LARGE MODELS

The OPTILIFT suspended parallelogram is the key component of the DELTIS 2 sprayer and allows for considerable weight saving on the machine and also protects the boom. The boom is more stable and the working and transport speeds can be increased.



COMFORT, STABILITY AND RELIABILITY!



SUSPENSION ON THE ROAD AND IN THE FIELD

The OPTILIFT parallelogram is not just a boom lifting solution; the boom supports and nitrogen accumulator provide complete boom protection both during transport and work with excellent flexibility. The boom is protected and driving comfort is increased.



LARGE WORKING HEIGHT RANGE

The OPTILIFT parallelogram features a 2m50 working height and allows you to lift the boom high and work in tall crops.

INCREASED RELIABILITY!

This simple technical solution only features arm rotation movements around joints, with no friction or sliding, the self-lubricating rings require little maintenance and reliability is improved.

KUHN "+" POINTS OF THE OPTILIFT

1. Suspension of the boom in transport
2. High working height (2.50 m when hitched)

PERFECT STABILITY

The boom is maintained in the correct position with the target to be sprayed, which is an essential factor for high-quality drift-free spraying. The suspension of the boom centre frame plays a very important role in the quality of the application.



TRAPEZIA SUSPENSION: SIMPLE AND EFFICIENT

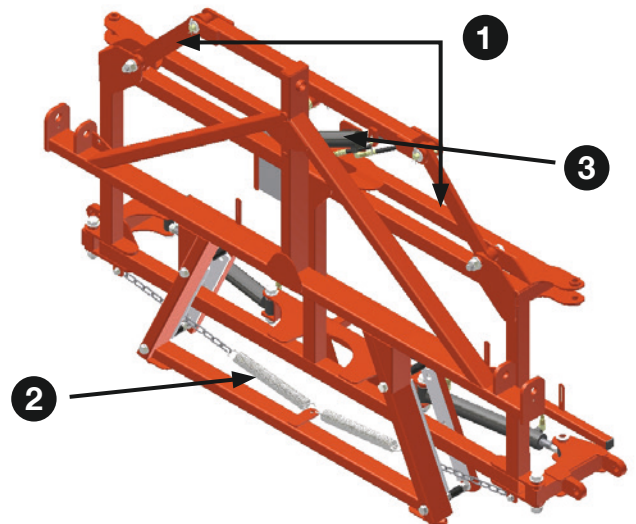
The TRAPEZIA suspension is specially designed for MTS2, MTA2 and MTA3 booms, and is perfectly adapted for the DELTIS 2 sprayer. Its key feature? It includes an automatic mechanical tilt correction as standard.

Main characteristics

1. 2 stabilising link rods
2. Automatic mechanical tilt corrector
3. Hydraulic tilt corrector (optional)

Available on the following booms:

- MTS2
- MTA2
- MTA3



EQUILIBRA 3D SUSPENSION: FOR INTENSIVE CONDITIONS!

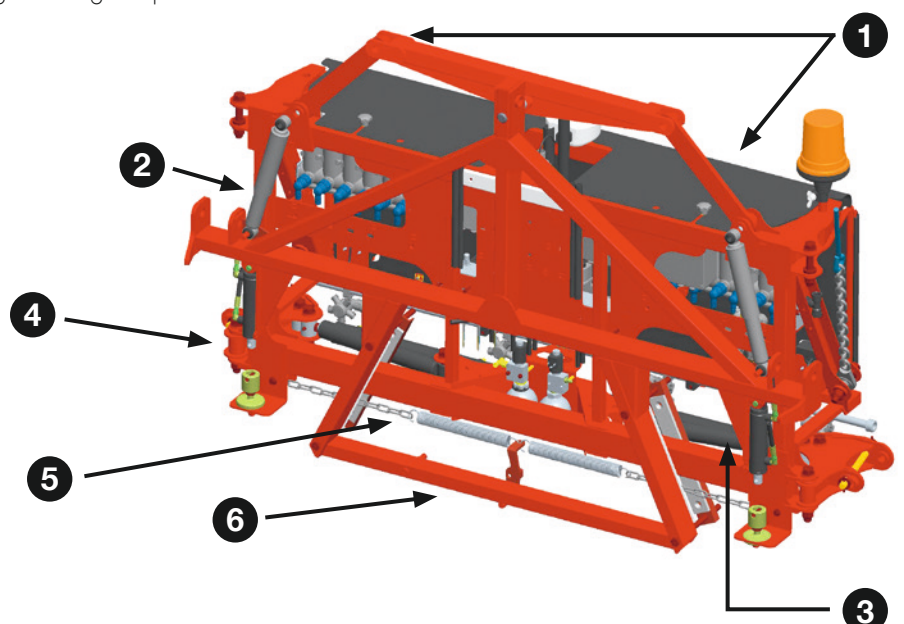
The EQUILIBRA suspension is designed for work in special and intensive conditions (high speed), and includes as standard an independent anti-whiplash system protecting the boom on cornering or during sharp acceleration / deceleration phases.

Main characteristics

1. A pendulum link-rod
2. Centre frame shock absorbers
3. Anti-whiplash cylinders (independent left/right)
4. Hydraulic centre frame locking (for asymmetric operation)
5. Automatic mechanical tilt corrector
6. Hydraulic tilt corrector

Available on the following booms:

- MEA 2
- MEA 3



MTS2 BOOM: Simplicity!

This boom is made of steel and built to last.

- Available boom widths: 15, 16 and 18 m,
- Nozzle protection over the entire boom width,
- 3D safety,
- Compact folding,
- Stainless steel pipe as standard,
- Quadrijets as standard.



KUHN "+" POINTS: Aluminium beyond 18 m

Aluminium is more widely applied to manufacture items used for our daily work. Why? Aluminium naturally features several advantages. Therefore KUHN has been exclusively using aluminium since 1986 to manufacture booms longer than 18 m:

- Natural resistance to corrosion: which is a crucial issue when in contact with plant protection products and fertilisers.
- Density 2.7 x less than steel: a stronger and lighter boom!



MTA2 AND MEA2 BOOMS: Two-arm aluminium boom!

A tested structure, simple kinematics and a quick unfolding system are the key features of these aluminium booms. The MTA2 and MEA2 booms feature the following characteristics:

- 2 aluminium arms with protected jets over the entire width,
- Stainless steel pipe and quadrijets as standard,
- 3-dimensional safety as standard,
- MTA2 with TRAPEZIA suspension from 16 to 24 m,
- MEA2 with EQUILIBRA suspension from 18 to 24 m.





COMPACT BOOMS?

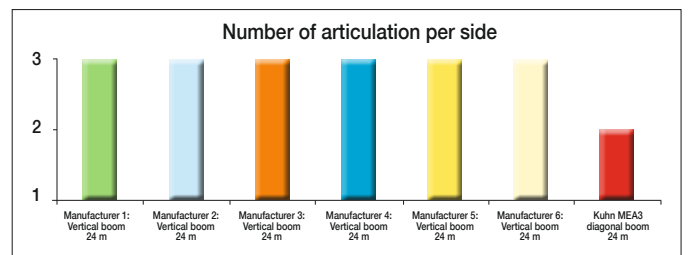
REDUCE THE NUMBER OF ARTICULATIONS!

There are many compact booms on the market featuring a vertical folding system and a large number of joints, with a significant rear overhang.

The KUHN MTA3 and MEA3 booms fold diagonally to reduce the number of joints and remain compact as required without increasing the rear overhang.

ONLY 2 ARTICULATIONS: RELIABILITY AND STABILITY

During spraying the boom joints often cause whiplash. A higher number of joints causes a higher level of whiplash. With the MTA3 and MEA3 aluminium booms, KUHN has chosen to reduce the number of joints to a minimum. Moreover, they are specifically locked to reduce the possibility of whiplash. Thus improving the boom stability and reliability.



MTA3 AND MEA3 BOOMS:

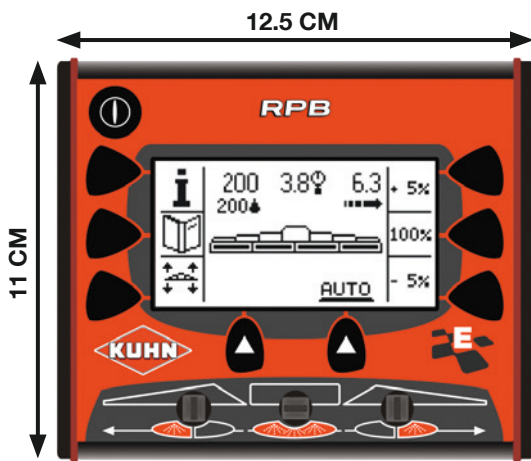
- 3 aluminium arms with protected jets over the entire width
- Stainless steel pipe and quadrijets as standard
- 3 dimensional safety as standard,
- MTA3 with TRAPEZIA suspension from 20 to 21 m
- MEA3 with EQUILIBRA suspension from 20 to 24 m.



THE SMART SPRAYER!

KUHN electronic solutions with the CANBUS or ISOBUS technologies designed for the DELTIS 2 sprayers provide an easy-to-use multi-purpose machine, improving the spraying precision and driving comfort.

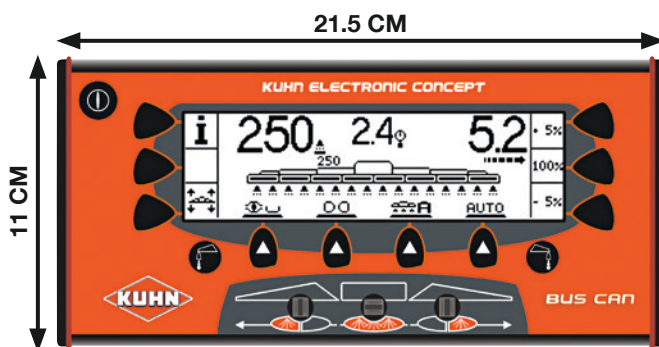
Contact us to discover the solutions adapted to your needs.



RPB: compact, simple and efficient

The RPB electronic control box can automatically maintain the quantity of product to be sprayed independent of the tractor speed.

The important information is displayed on the working screen (Application rate/ha, Pressure and speed).



REB3: Comprehensive, efficient and intuitive

The REB3 control box allows you to manage all the sprayer functions using only one control unit. The REB3 control box allows you to control the following functions during spraying:

- Sequential opening and closing of sections
- Turn on the work lights or the beacon
- Adjust the application rate
- Unfold/fold the boom with the function selector
- GPS Section Control
- H-MATIC : boom height at the headland
- Offset jets at the boom end
- Rinsing in the cab DILUSET+ with electronic gauge





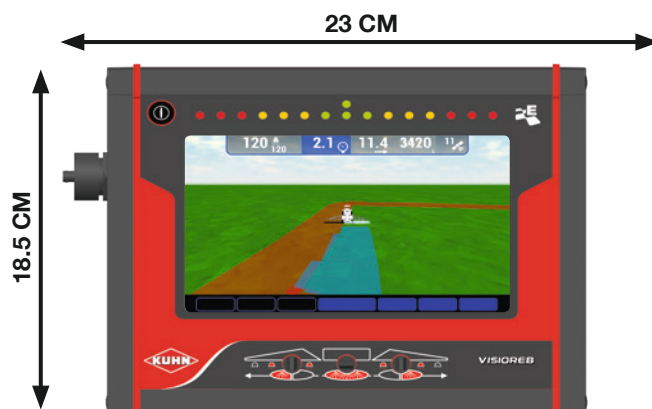
VISIOREB: Remarkably ergonomic

With its latest-generation colour touchscreen, the VISIOREB terminal is remarkably ergonomic.

The VISIOREB terminal allows you to manage the functionalities integrated in the REB3 unit and also includes the following as standard:

- Filling assistance with a built-in computer
- TGPS SECTION CONTROL
- Visual aid to make sure the entire field has been covered
- An even more intuitive operation with visual indicators and a touchscreen
- Easy management of the fields with data records for improved traceability

As an option, the VISIOREB control box can be equipped with a guidance assistance.



ISOBUS: Sprayer control with or without the control box

ISOBUS is the communication standard between tractors, accessories and computers and allows to manage all your machines including the DELTIS 2 sprayer, using the same ISOBUS terminal.

With the CCI 50 - 1200 ISOBUS terminal, KUHN provides a user-friendly solution designed to make your work easier. The software developed for spraying allows easy control of the sprayer.



KUHN "+" POINTS

Important information is displayed during work. It is easy to read and clearly displayed in large characters. The following information is displayed on a single working screen:

- The applied and programmed application rate
- The calculated pressure
- Forward speed

THE KUHN "PLUS" POINTS FOR HIGH-QUALITY SPRAYING



CONTROL THE END NOZZLES FROM THE CAB

To increase the spraying width, an asymmetrical nozzle can be fitted on the boom end. These nozzles are electrically controlled from the cab. Limited to one side of the boom or both sides, these nozzles are used in case of tramlining or for the treatment of the field border.



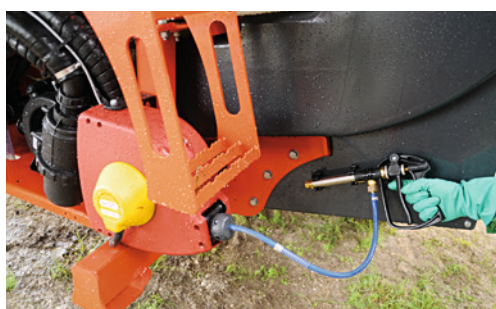
PRESSURISED FILTER + REINFORCED AGITATION

Additional discharge filter (quadruple filtration) coupled with two hydro-agitators in the tank for intensive stirring. The risk of blockages in the nozzles is reduced and the spray mixture in the tank is completely consistent.



WORK UNDER OPTIMUM CONDITIONS: WORK LIGHTS

To make the most of optimum spraying conditions (low temperature and high hygrometry), working at night is possible. LED lights are positioned under the boom for perfect spraying vision, even at night.



NOW FOR THE OUTSIDE...

Rinse the outside of the machine with the exterior cleaning kit (automatic 15 m hose reel and spot lance). By cleaning the machine in the field, you can return to the farm with a clean machine, ready to be used with another chemical product.

Technical specifications	DELTIS 2		
	MTS2	MTA2/MEA2	MTA3/MEA3
Boom			
Nominal tank capacity (L)		1000 - 1300 - 1500	
Real tank capacity (L)		1130 - 1405 - 1620	
Rinsing tank capacity (L)		170	
Pump type (L/min)		PM 120 - 170 - 200	
Boom type		Steel or aluminium with hydraulic folding system	
Boom width (m)	14 to 18	16 to 24	20 to 21 (24 for MEA3)
Regulator (unit)		DPME BUSCAN (DPS) DPAE BUSCAN (RPB, REB3 or VISIOREB) DPAE ISOBUS (CCI 50 - 1200 with ISOCCLICK)	
Set-up		Manuset or Diluset +	
Suspensions		OPTILIFT parallelogram (road + field) and boom	
Boom suspension	TRAPEZIA (Link rods)	MTA = TRAPEZIA (Link rods) MEA = EQUILIBRA (Pendulum link-rods with independent L/R anti-whiplash system)	
Filtration		Quadruple (on filling, on suction, before flowmeter and per section)	
Overall length		2.55 m	
Height	3.10 m (15 m)	3.35 m (MTA3 21 m)	3.65 m (MEA3 24 m)
Nozzle height		0.50 m to 2.50 m (hitched)	
Unladen weight (kg)	1055 (15 m)	1090 (MTA3 21 m)	1280 (MEA3 24 m)

* KUHN SERVICES

MAXIMISE THE USE AND PRODUCTIVITY OF YOUR KUHN EQUIPMENT

* Some services are not available in all countries.

KUHN sos order

**WITH KUHN SOS ORDER,
RECEIVE YOUR PARTS
ALL YEAR ROUND***

Express delivery! You are sure of getting the spare parts you need every day of the year - including weekends and bank holidays. With Kuhn SOS Order, downtimes are kept to a minimum and your productivity is preserved.

* except for 1st January, 1st May and 25th December.

KUHN protect +

**WITH KUHN PROTECT +,
WORK WITH TOTAL PEACE OF MIND**

36 months' cover with all the safeguards provided by the warranty! With Kuhn protect +, you can concentrate exclusively on your job while enjoying maximum performance from your machine. Because investing in equipment with the latest modern technology is also a way of being more efficient in all your work.

KUHN i tech

**WITH THIS EXPERTISE
YOU ARE ALWAYS ONE STEP AHEAD**

An unexpected technical hitch always occurs at the wrong time. Thanks to Kuhn I TECH, your Kuhn Approved Partner can get you up and running again quickly and efficiently. This 24/7 online service diagnoses the problem quickly and accurately.

KUHN finance

**WITH KUHN FINANCE, INVEST WITH AN EASY MIND
WITH YOUR VERY OWN FINANCE PLAN**

Purchase new, more productive equipment and optimise your cash flow and tax situation! With Kuhn Finance, you can modernise your equipment and develop your farm steadily, according to your needs and requirements. Our plans are tailored to meet your needs.



OPTIS OMNIS DELTIS 2 ALTIS 2 PF

KUHN MOUNTED SPRAYERS IN BRIEF

Technical specifications

	OPTIS/OMNIS	DELTIS 2	ALTIS 2	PF
Tank capacity (L)	600 / 800 / 1000 / 1200	1000/1300/1500	1500/1800/2000	1000/1500
Boom width (m)	9 to 16	14 to 24	15 to 28	-
Regulation	PC / DPM / DPME / DPAE	DPME/DPAE		-
Boom lifting system	Hydraulic fixed/sliding mast	OPTILIFT parallelogram		-
Boom suspension	◇	TRAPEZIA or EQUILIBRA		-
Chemical induction bowl	◇	◆	◆	◇
Rinsing tank	◇	◆	◆	◆

◆ standard equipment

◇ optional equipment

- unavailable

OPTIS / OMNIS

DELTIS 2

ALTIS 2

PF



To discover your nearest Approved Partner,
check us out at
www.kuhn.com

KUHN BLANCHARD SAS
24 rue de Nantes - 44680 CHAUMES EN RETZ - FRANCE

YouTube

Join us on our YouTube channels.



www.kuhn.com

Your Approved Partner

The information transmitted in this document is not contractual, it is provided as a general indication. Our machines are in compliance with the regulations in force in the country of delivery. In our literature, and for improved illustration of certain details, some safety devices may not be in operating position. These safety devices must be in position when operating the machines in accordance with the requirements in the user and assembly manuals. Do not exceed the tractor's gross vehicle weight rating, its lifting capacity or the maximum axle and tyre load. The tractor's front axle load must always be in accordance with the requirements of the country of delivery (in Europe at least 20% of the unladen weight of the tractor). We reserve the right to change our machines, the equipment and fittings thereof without further notice. Machines, equipment and fittings in this document can be covered by at least one patent and/or registered model(s). Trademarks cited in this document may be registered in one or more countries.

Also discover
KUHN on

