

3',4',5' & 6' GRASS TOPPER SPARE PARTS LIST



Table of Contents:

3',4',5' and 6' GRASS TOPPER SPARE PARTS LIST

Table 001 : TOP3 MAIN ASSEMBLY PARTS

Table 002: TOP4 & TOP5 MAIN ASSEMBLY PARTS

Table 003: TOP6 MAIN ASSEMBLY PARTS

Table 004: TOP3-5 DRIVELINE PARTS

Table 005: TOP6 DRIVELINE PARTS

Table 006: TOP3-5 ROTOR ASSEMBLY

Table 007: TOP6 ROTOR ASSEMBLY

Table 008: TOP3-5 OMNI GEARBOX PART No: ZGPP02A

Table 009: TOP3-5 COMER GEARBOX PART No: ZGPP02B

Table 010: TOP6 COMER GEARBOX PART No: ZGPP02

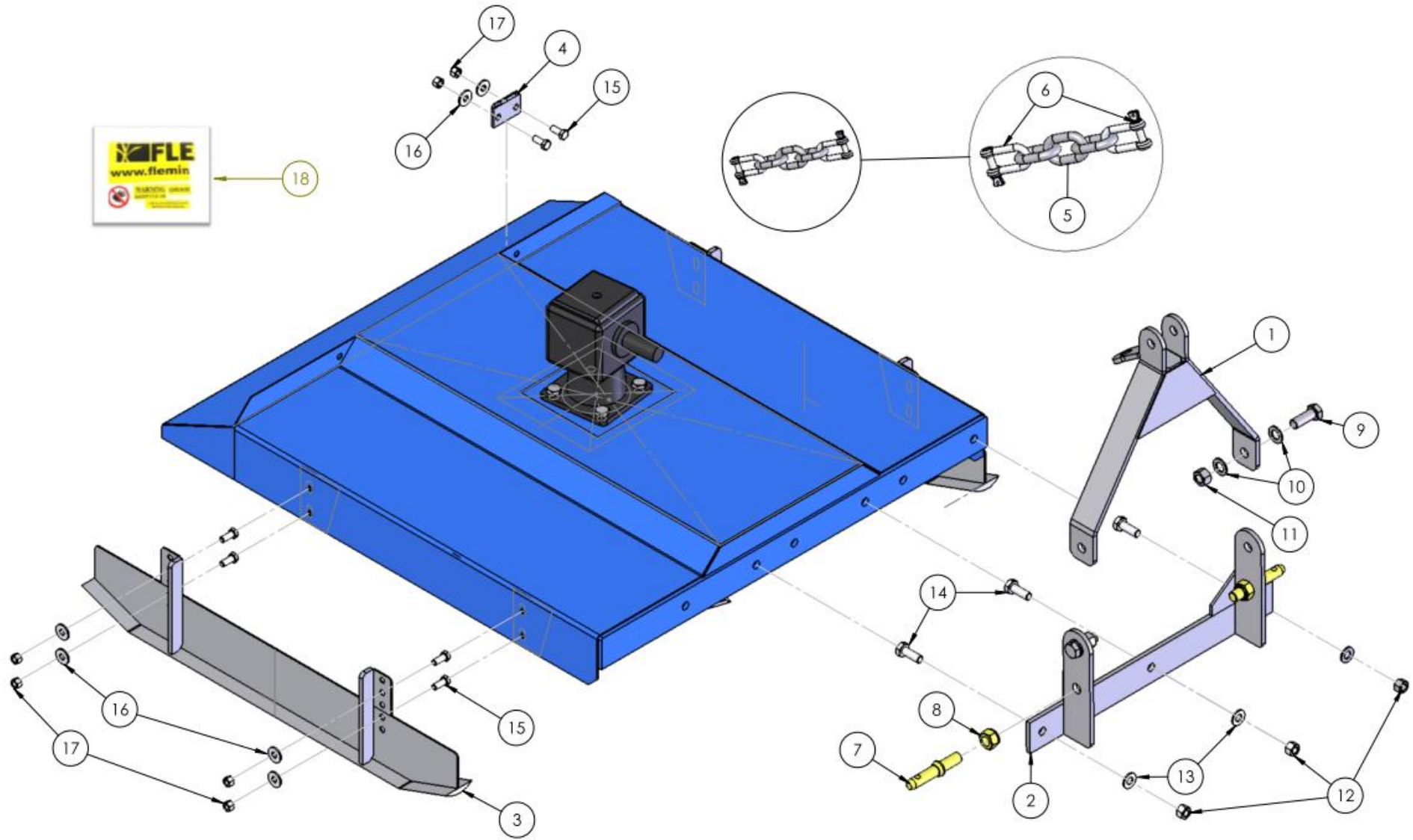
Table 011: WEASLER AGDRIVE (BLACK) PTO SHAFT PART No. ZGPP05

Table 012: COMER (YELLOW) PTO SHAFT PART No. ZGPP05

Table 013: TOP4-5 WHEELKIT PART No: TOP5WK

Table 014: MAGDELINA (YELLOW) PTO SHAFT No. ZGPP05

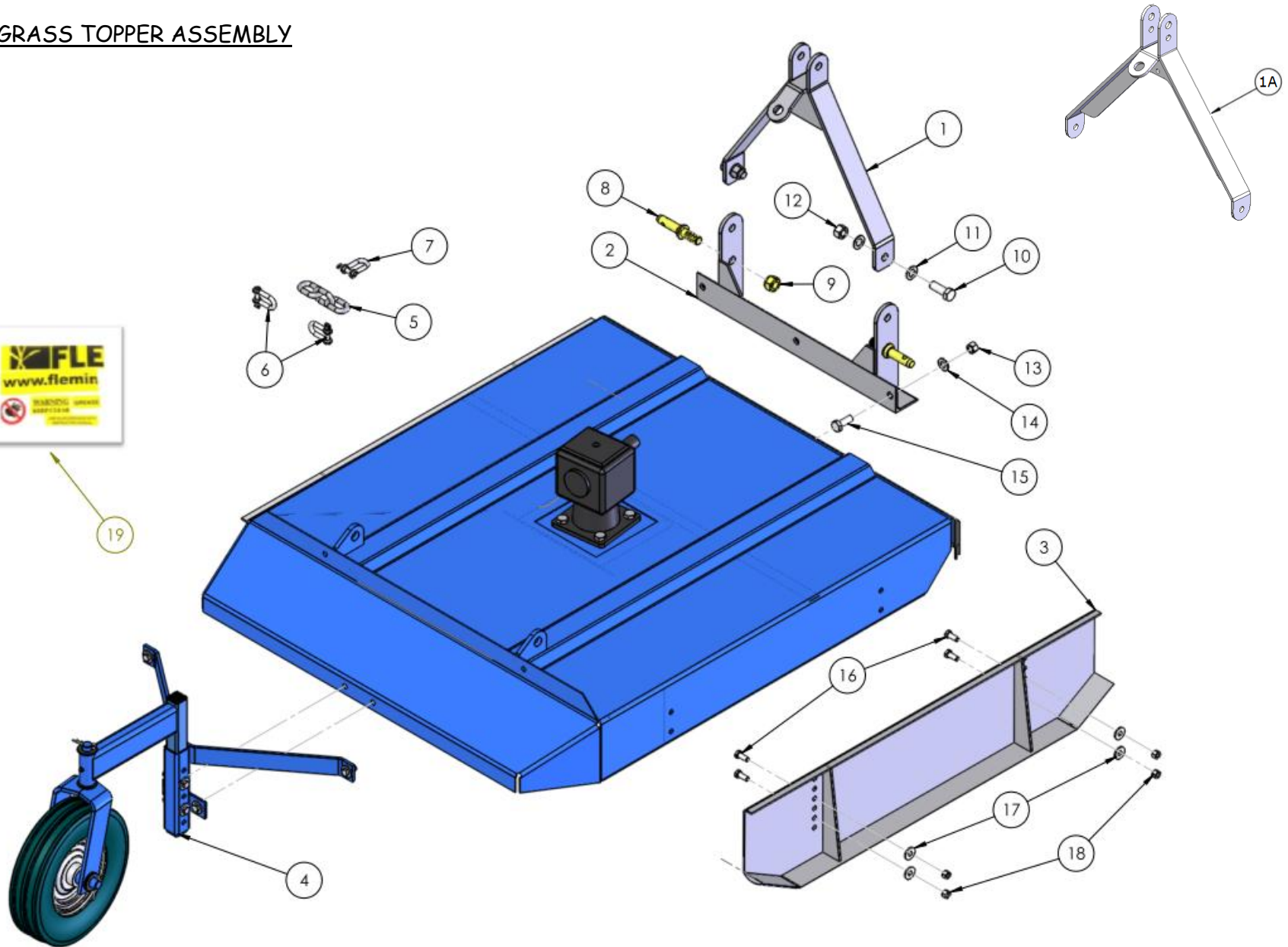
3FT GRASS TOPPER ASSEMBLY



SEE TABLE NO: 001

TABLE NO: 001 3ft GRASS TOPPER MAIN ASSEMBLY			
ITEM NO	DESCRIPTION	3FT GRASS TOPPER	
		CODE	QTY
1	TOP3 A-FRAME	P100.001	1
2	TOP3 A-FRAME SUPPORT	P100.002	1
3	TOP3 SKID	P100.003	2
4	TOP3 REAR CHAIN SUPPORT	ZPPA676	1
5	TOP3 CHAIN	P100.004	1
6	½" D-SHACKLE	ZGPP12	2
7	IMP MOUNT PIN (COMPLETE)	ZGPP59	2
8	IMP MOUNT PIN NUT	ZFAS142	2
9	M20x55 SETSCREW	ZFAS37	2
10	M20 WASHER ZP	ZFAS39	4
11	M20 NYLOCK NUT	ZFAS24	2
12	M16 NYLOCK NUT	ZFAS23	3
13	M16 WASHER ZP	ZFAS36	3
14	M16x45 BOLT	ZFAS11	3
15	M12x30 SETSCREW	ZFAS10	10
16	M12 WASHER ZP	ZFAS45	10
17	M12 NYLOCK NUT	ZFAS22	10
18	TOP3 STICKER KIT	P001.533	1

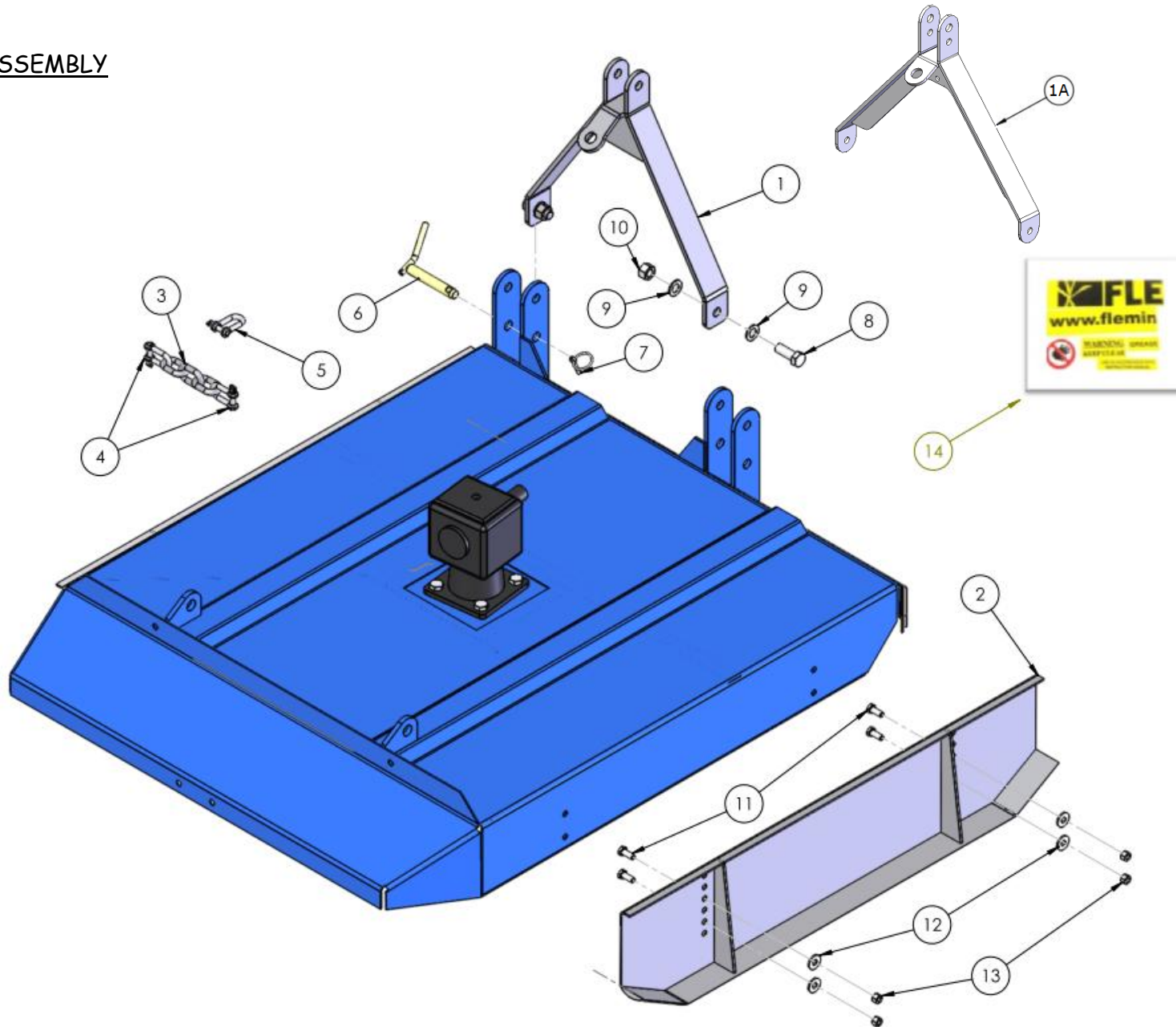
4ft & 5ft GRASS TOPPER ASSEMBLY



SEE TABLE NO: 002

TABLE NO: 002 4ft & 5ft GRASS TOPPER ASSEMBLY					
ITEM NO	DESCRIPTION	4FT GRASS TOPPER		5FT GRASS TOPPER	
		CODE	QTY	CODE	QTY
1	TOPPER A-FRAME	P001.005	1	P001.006	1
1A	TOP5 / TOP6 TOPPER A-FRAME (2021 onwards)			P001.013A	1
2	TOPPER A-FRAME SUPPORT	P001.007	1	P001.008	1
3	GRASS TOPPER SKID	P001.009	2	P001.010	2
4	GRASS TOPPER WHEELKIT	TOP5WK	1	TOP5WK	1
5	GRASS TOPPER CHAIN	P001.011	1	P001.012	1
6	½" D-SHACKLE	ZGPP12	2	ZGPP12	2
7	16mm D-SHACKLE	ZGPP13	1	ZGPP13	1
8	IMP MOUNT PIN (COMPLETE)	ZGPP59	2	ZGPP59	2
9	IMP MOUNT PIN NUT	ZFAS142	2	ZFAS142	2
10	M20x55 SETSCREW	ZFAS37	2	ZFAS37	2
11	M20 WASHER ZP	ZFAS39	4	ZFAS39	4
12	M20 NYLOCK NUT	ZFAS24	2	ZFAS24	2
13	M16 NYLOCK NUT	ZFAS23	3	ZFAS23	3
14	M16 WASHER ZP	ZFAS36	3	ZFAS36	3
15	M16x45 BOLT ZP	ZFAS11	3	ZFAS11	3
16	M12x30 SETSCREW ZP	ZFAS10	8	ZFAS10	8
17	M12 WASHER ZP	ZFAS45	8	ZFAS45	8
18	M12 NYLOCK NUT	ZFAS22	8	ZFAS22	8
19	TOP4-6 STICKER KIT	P001.534	1	P001.534	1

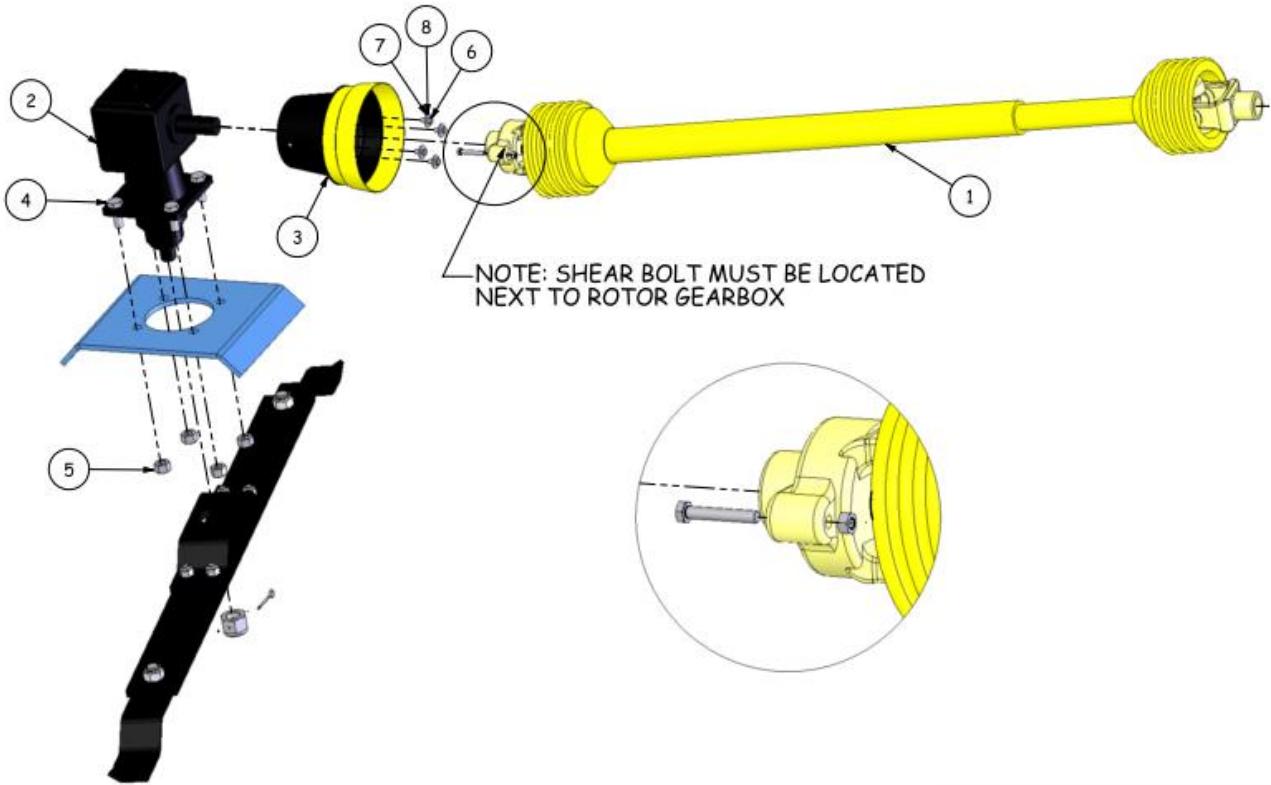
6ft TOPPER ASSEMBLY



SEE TABLE NO: 003

TABLE NO: 003 6ft GRASS TOPPER MAIN ASSEMBLY			
ITEM NO	DESCRIPTION	6FT GRASS TOPPER	
		CODE	QTY
1	TOP6 A-FRAME	P100.013	1
1A	TOP5 / TOP6 A-FRAME (2021 onwards)	P001.013A	1
2	TOP6 SKID	P100.014	2
3	TOP6 CHAIN	P100.015	1
4	½" D-SHACKLE	ZGPP12	2
5	16mm D-SHACKLE	ZGPP13	1
6	CAT2 LIFT ARM PIN	ZGPP62	2
7	M10x40 LINCH PIN	ZFAS31	2
8	M20x55 SETSCREW	ZFAS37	2
9	M20 WASHER ZP	ZFAS39	4
10	M20 NYLOCK NUT	ZFAS24	2
11	M12x30 SETSCREW	ZFAS10	8
12	M12 WASHER ZP	ZFAS45	8
13	M12 NYLOCK NUT	ZFAS22	8
14	TOP4-6 STICKER KIT	P001.534	1

SEMI OFFSET GRASS TOPPER DRIVE TRAIN

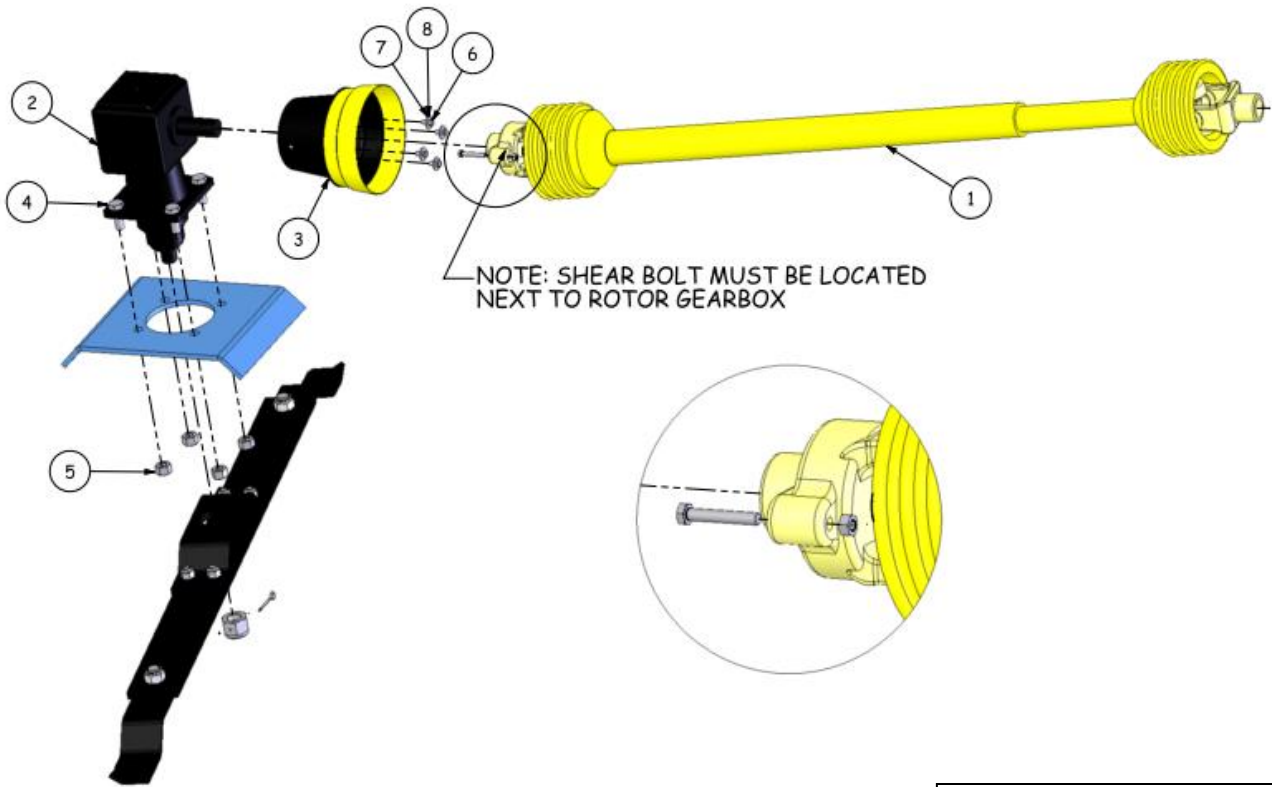


SEE TABLE NO: 004

TABLE NO: 004 3ft,4ft and 5ft SEMI-OFFSET GRASS TOPPER DRIVE TRAIN

ITEM NO	DESCRIPTION	3FT SEMI-OFFSET TOPPER		4FT SEMI-OFFSET TOPPER		5FT SEMI-OFFSET TOPPER	
		CODE	QTY	CODE	QTY	CODE	QTY
1	PTO SHAFT (1.400) WITH SHEARBOLT	ZGPP05	1	ZGPP05	1	ZGPP05	1
2	ROTOR "L" GEARBOX (OMNI)	ZGPP02A	1	ZGPP02A	1	ZGPP02A	1
2	ROTOR "L" GEARBOX (COMER)	ZGPP02B	1	ZGPP02B	1	ZGPP02B	1
3	ROUND GEARBOX COVER	ZGPP03	1	ZGPP03	1	ZGPP03	1
4	M16 x 45 (8) BOLT	ZFAS11	4	ZFAS11	4	ZFAS11	4
5	M16 NYLOCK	ZFAS23	4	ZFAS23	4	ZFAS23	4
6	M8 x 16 BOLT	ZFAS08	4	ZFAS08	4	ZFAS08	4
7	M8 PLAIN NUT	ZFAS59	4	ZFAS59	4	ZFAS59	4
8	M8 WASHER	ZFAS61	4	ZFAS61	4	ZFAS61	4
9	M8 x 50 (8.8) SHEAR BOLT	ZFAS69	1	ZFAS69	1	ZFAS69	1
10	M8 NYLOCK	ZFAS55	1	ZFAS55	1	ZFAS55	1

SEMI OFFSET GRASS TOPPER DRIVE TRAIN

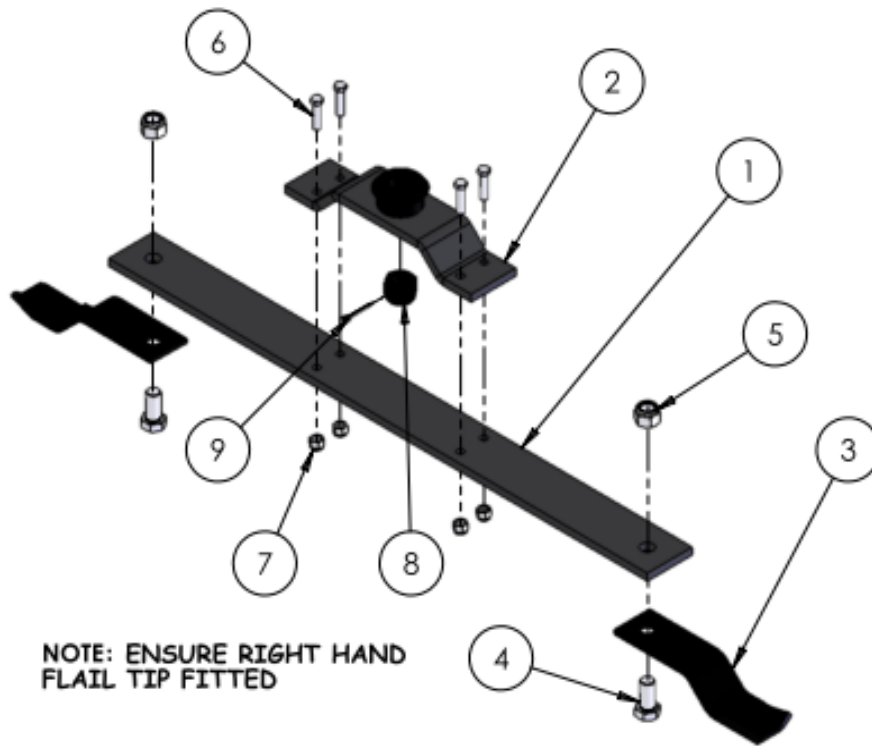


SEE TABLE NO: 005

TABLE NO: 005 6ft GRASS TOPPER DRIVETRAIN

ITEM NO	DESCRIPTION	6FT GRASS TOPPER	
		CODE	QTY
1	PTO SHAFT (1.400) WITH SHEARBOLT	ZGPP05	1
1	OVER RUN PTO SHAFT WITH SHEARBOLT	ZGPP06	1
2	ROTOR "L" GEARBOX (COMER)	ZGPP02	1
3	ROUND GEARBOX COVER	ZGPP03	1
4	M16 x 45 (8) BOLT	ZFAS11	4
5	M16 NYLOCK	ZFAS23	4
6	M8 x 16 BOLT	ZFAS08	4
7	M8 PLAIN NUT	ZFAS59	4
8	M8 WASHER	ZFAS61	4
9	M8 x 50 (10.9) SHEAR BOLT	ZFAS69	1
10	M8 NYLOCK NUT	ZFAS55	1

SEMI-OFFSET GRASS TOPPER ROTOR ASSEMBLY



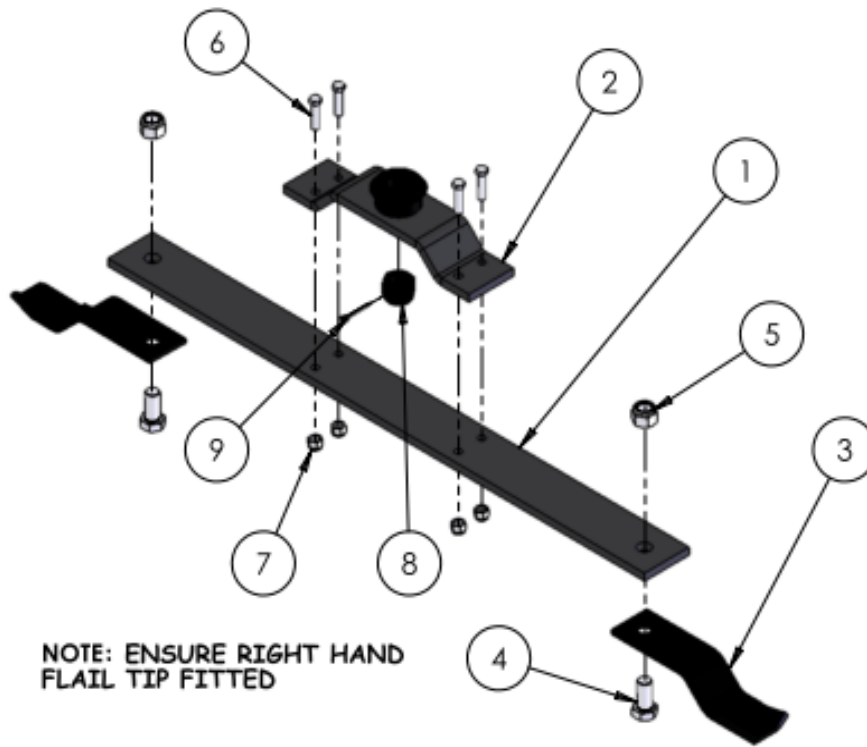
**NOTE: ENSURE RIGHT HAND
FLAIL TIP FITTED**

SEE TABLE NO: 006

TABLE NO: 006 SEMI-OFFSET GRASS TOPPER ROTOR ASSEMBLY

ITEM NO	DESCRIPTION	3FT SEMI-OFFSET TOPPER		4FT SEMI-OFFSET TOPPER		5FT SEMI-OFFSET TOPPER	
		CODE	QTY	CODE	QTY	CODE	QTY
1	TOP3 ROTOR BAR	ZPPA826	1				
1	650mm ROTOR BAR			ZGPP74	1		
1	900mm ROTOR BAR					ZGPP64	1
2	ROTOR HOLDER (OMNI)	ZGPP65A	1	ZGPP65A	1	ZGPP65A	1
2	ROTOR HOLDER (COMER)	ZGPP65	1	ZGPP65	1	ZGPP65	1
3	TOP BLADE RIGHT HAND	ZGPP07	2	ZGPP07	2	ZGPP07	2
4	M24 X50 BOLT	ZFAS09	2	ZFAS09	2	ZFAS09	2
5	M24 NYLOCK	ZFAS21	2	ZFAS21	2	ZFAS21	2
6	M14x50 BOLT	ZFAS41	4	ZFAS41	4	ZFAS41	4
7	M14 NYLOCK	ZFAS42	4	ZFAS42	4	ZFAS42	4
8	TOPPER CASTLE NUT	8.2.2.00515	1	GBL.8.2.2.00515	1	GBL.8.2.2.00515	1
9	2" x 3/16" COTTER PIN	ZFAS58	1	ZFAS58	1	ZFAS58	1

SEMI-OFFSET GRASS TOPPER ROTOR ASSEMBLY

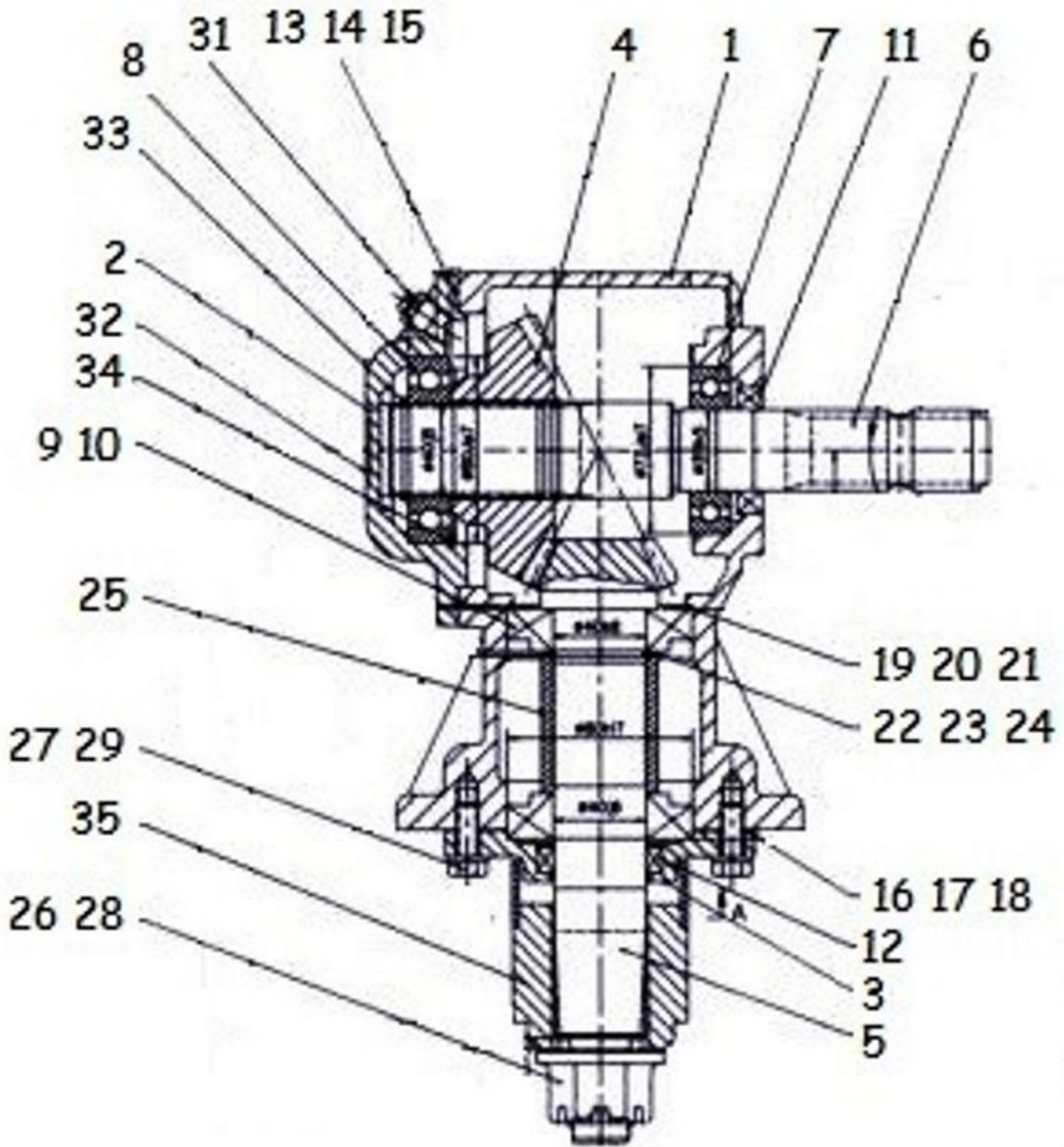


NOTE: ENSURE RIGHT HAND
FLAIL TIP FITTED

SEE TABLE NO: 007

TABLE NO: 007 6ft GRASS TOPPER ROTOR ASSEMBLY			
ITEM NO	DESCRIPTION	6FT GRASS TOPPER	
		CODE	QTY
1	1200mm ROTOR BAR	ZGPP66	1
2	ROTOR HOLDER (COMER)	ZGPP65	1
3	TOP BLADE RIGHT HAND	ZGPP07	2
4	M24 X50 BOLT	ZFAS09	2
5	M24 NYLOCK	ZFAS21	2
6	M14x50 BOLT	ZFAS41	4
7	M14 NYLOCK	ZFAS42	4
8	TOPPER CASTLE NUT	GBL.8.2.2.00515	1
9	2" x 3/16" COTTER PIN	ZFAS58	1

3ft,4ft and 5ft GRASS TOPPER GEARBOX PART No ZGPP02A

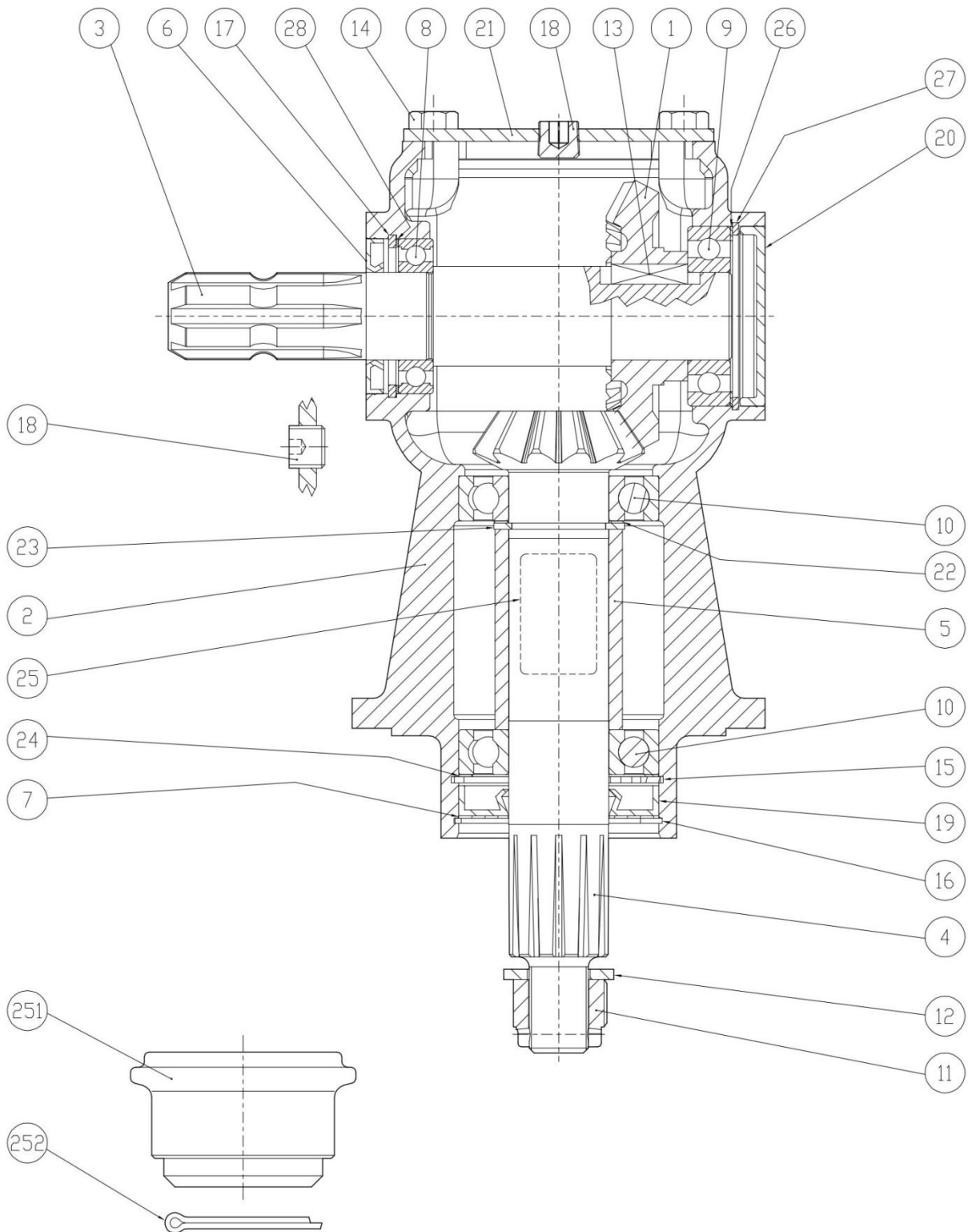


ITEM No 35 part number GBL-G9049A

SEE TABLE NO: 008

TABLE NO: 008 3',4' and 5' TOPPER L GEARBOX RC30 250966			
ZGPP02A			
ITEM	PART NO.	QTY.	DESCRIPTION:
1	GBO.010306	1	GEARBOX HOUSING
2	GBO.020026	1	REAR BLANKING CAP
3	GBO.020341	1	OUTPUT CAP
4	GBO.030036	1	29 TOOTH CROWN GEAR
5	GBO.030793	1	15 TOOTH PINION
6	GBO.040668	1	INPUT SHAFT (6 SPLINE)
7	GBO.050006	1	BALL BEARING
8	GBO.050007	1	BALL BEARING
10	BB-30208	1	BALL BEARING
11	TOPOGTS	1	INPUT SHAFT SEAL
12	TOPOGBS	1	OUTPUT SHAFT SEAL
13	GBO.070131	1	INPUT CAP GASKET 0.1mm
14	GBO.070132	1	INPUT CAP GASKET 0.2mm
15	GBO.070133	1	INPUT CAP GASKET 0.5mm
16	GBO.070134	1	OUTPUT CAP GASKET 0.1mm
17	GBO.070135	1	OUTPUT CAP GASKET 0.2mm
18	GBO.070136	1	OUTPUT CAP GASKET 0.5mm
19	GBO.090182	1	SHIM 0.1mm
20	GBO.090183	1	SHIM 0.2mm
21	GBO.090184	1	SHIM 0.3mm
22	GBO.090186	1	SHIM 0.1mm
23	GBO.090187	1	SHIM 0.2mm
24	GBO.090188	1	SHIM 0.3mm
25	GBO.090351	1	OUTPUT SHAFT SPACER
28	GBO.120050	1	OUTPUT SHAFT CASTLE NUT
31	GBO.140039	1	BREATHER PLUG ¼"
33	GBO.200000	1	EXTERNAL CIRCLIP
34	GBO.200001	1	INTERNAL CIRCLIP

TOP3, TOP4 and TOP5 COMER GEARBOX 9.205.880.00 PART No: ZGPP02B



SEE TABLE NO: 009

TABLE NO: 009 3ft,4ft and 5ft TOPPER GEARBOX LF9.205.880.00**ZGPP02B**

ITEM	PART NO.	QTY.	DESCRIPTION:
1	0.135.5000.00	1	CROWN GEAR Z23 M5
2	0.205.0301.00	1	CASING
3	0.135.2003.00	1	INPUT SHAFT 1 3/8" Z6
4	0.135.6008.00	1	PINION Z12 M5
5	0.135.7105.00	1	SPACER
6	8.7.3.01259	1	OIL SEAL
7	1.135.7100.00	1	PROTECTIVE WASHER
8	8.0.1.00000	1	BALL BEARING
9	8.0.1.00870	1	BALL BEARING
10	8.0.1.00871	2	BALL BEARING
11	8.2.2.00515	1	CASTLE NUT M24X2 PR80B
12	8.3.2.00409	1	BOLT WASHER 25X44X4
13	8.4.1.00993	1	PARALLEL KEY B
14	8.1.1.00054	4	BOLTS M10X20 HHB (8.8)
15	8.5.2.00030	1	SNAP RING (80X83.5X2.5)
16	8.5.3.00955	1	SNAP RING SB 81
17	8.5.2.00648	1	SNAP RING (52X55X2.5)
18	8.6.6.00201	2	3/8" GAS SOLID PLUG
19	8.7.1.00748	1	DUST LIP SEAL
20	8.7.0.00744	1	OIL CAP
21	0.205.1300.00	1	COVER
22	0.244.7500.00	2	SHIM KIT (40.3X51.5)
23	8.5.1.00680	1	SNAP RING (40X37.5X2.5)
24	0.267.7500.00	1	SHIM KIT (69X79.7)
25	0.124.7135.00	1	NAME PLATE
26	0.248.7500.00	1	SHIM KIT (60.3X71.7)
27	8.5.2.00131	1	SNAP RING (72X75X2.5)
28	0.113.7500.00	1	SHIM KIT (55.4X617)

TOP6 GRASS TOPPER GEARBOX PART No. ZGPP02

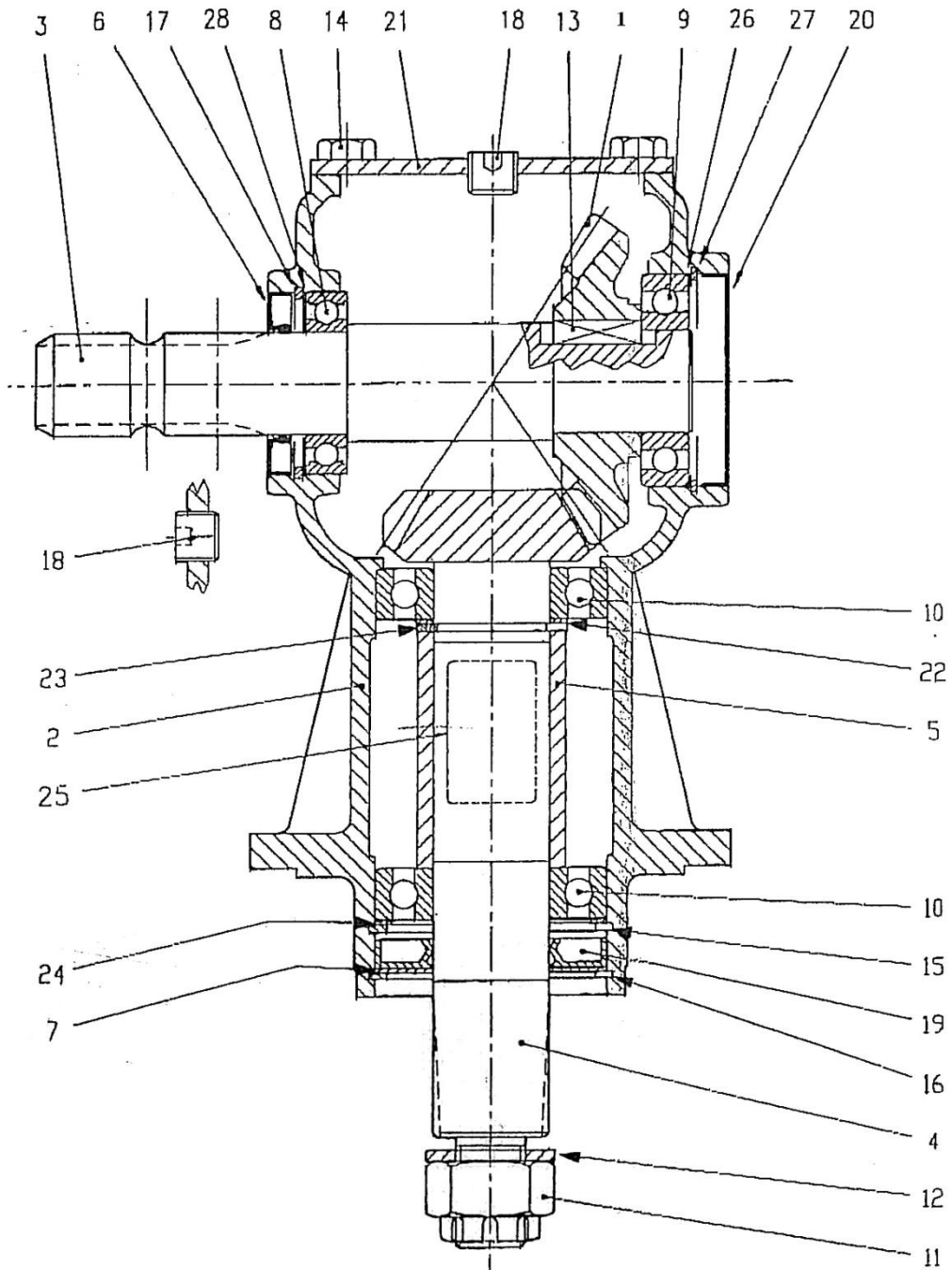
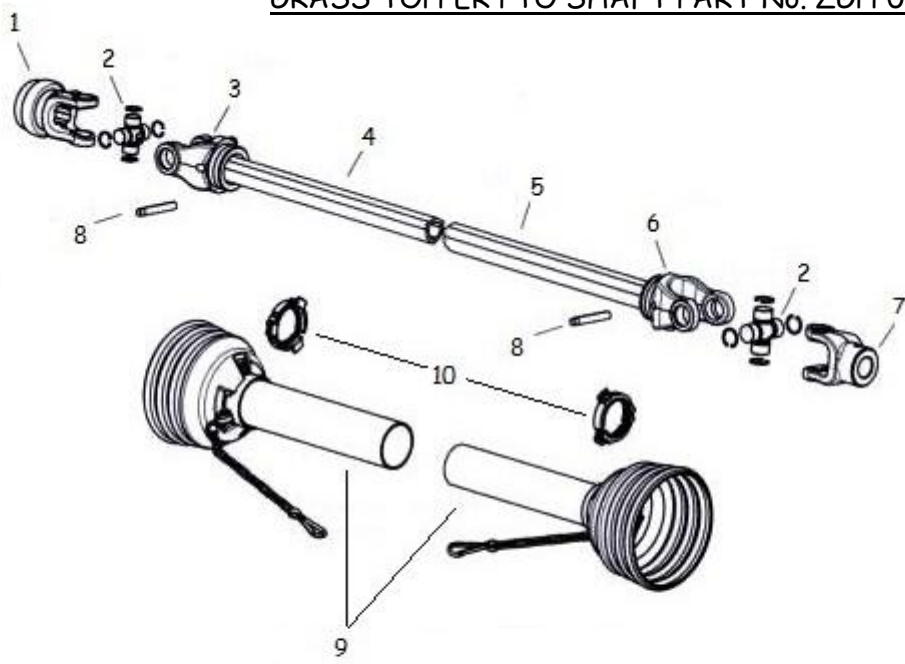


TABLE NO: 010 6ft TOPPER GEARBOX LF9.205.829.00**ZGPP02**

ITEM	PART NO.	QTY.	DESCRIPTION:
1	0.131.5000.00	1	CROWN GEAR Z23 M5
2	0.205.0301.00	1	CASING
3	0.135.2003.00	1	INPUT SHAFT 1 3/8" Z6
4	0.135.6201.00	1	PINION Z15 M5
5	0.135.7105.00	1	SPACER
6	8.7.3.01259	1	OIL SEAL
7	1.135.7100.00	1	PROTECTIVE WASHER
8	8.0.1.00000	1	BALL BEARING
9	8.0.1.00870	1	BALL BEARING
10	8.0.1.00871	2	BALL BEARING
11	8.2.2.01144	1	CASTLE NUT M24X2 PR80B
12	8.3.2.00409	1	BOLT WASHER 25X44X4
13	8.4.1.00993	1	PARALLEL KEY B
14	8.1.1.00054	4	BOLTS M10X20 HHB (8.8)
15	8.5.2.00030	1	SNAP RING (80X83.5X2.5)
16	8.5.3.00955	1	SNAP RING SB 81
17	8.5.2.00648	1	SNAP RING (52X55X2.5)
18	8.6.6.00201	2	3/8" GAS SOLID PLUG
19	8.7.1.00748	1	DUST LIP SEAL
20	8.7.0.00744	1	OIL CAP
21	0.205.1300.00	1	COVER
22	0.244.7500.00	2	SHIM KIT (40.3X51.5)
23	8.5.1.00680	1	SNAP RING (40X37.5X2.5)
24	0.267.7500.00	1	SHIM KIT (69X79.7)
25	0.124.7135.00	1	NAME PLATE
26	0.248.7500.00	1	SHIM KIT (60.3X71.7)
27	8.5.2.00131	1	SNAP RING (72X75X2.5)
28	0.113.7500.00	1	SHIM KIT (55.4X617)

GRASS TOPPER PTO SHAFT PART No. ZGPP05



SEE TABLE NO: 011

TABLE NO: 011 SHEARBOLT PTO SHAFT PART No. ZGPP05			
ZGPP05			
ITEM	PART NO.	QTY.	DESCRIPTION:
1	P6-102-8406	1	1 3/8" x 6 SPLINED YOKE
2	P6-200-8474	2	CROSS & BEARING KIT
3	P6-300-6436	1	INNER PROFILE YOKE
4	P6-610-3604-000	1	INNER PROFILE TUBE 3m
5	P6-610-4303-000	1	OUTER PROFILE TUBE 3m
6	P6-300-6443	1	OUTER PROFILE YOKE
7	P6-40-16001	1	SHEARBOLT CLUTCH
8	P6-508-0865	1	M8 x 65mm ROLL PIN
9	P6-907-2500-116	1	SAFETY COVER
10	P6-961-2534	1	SAFETY COVER BEARING KIT

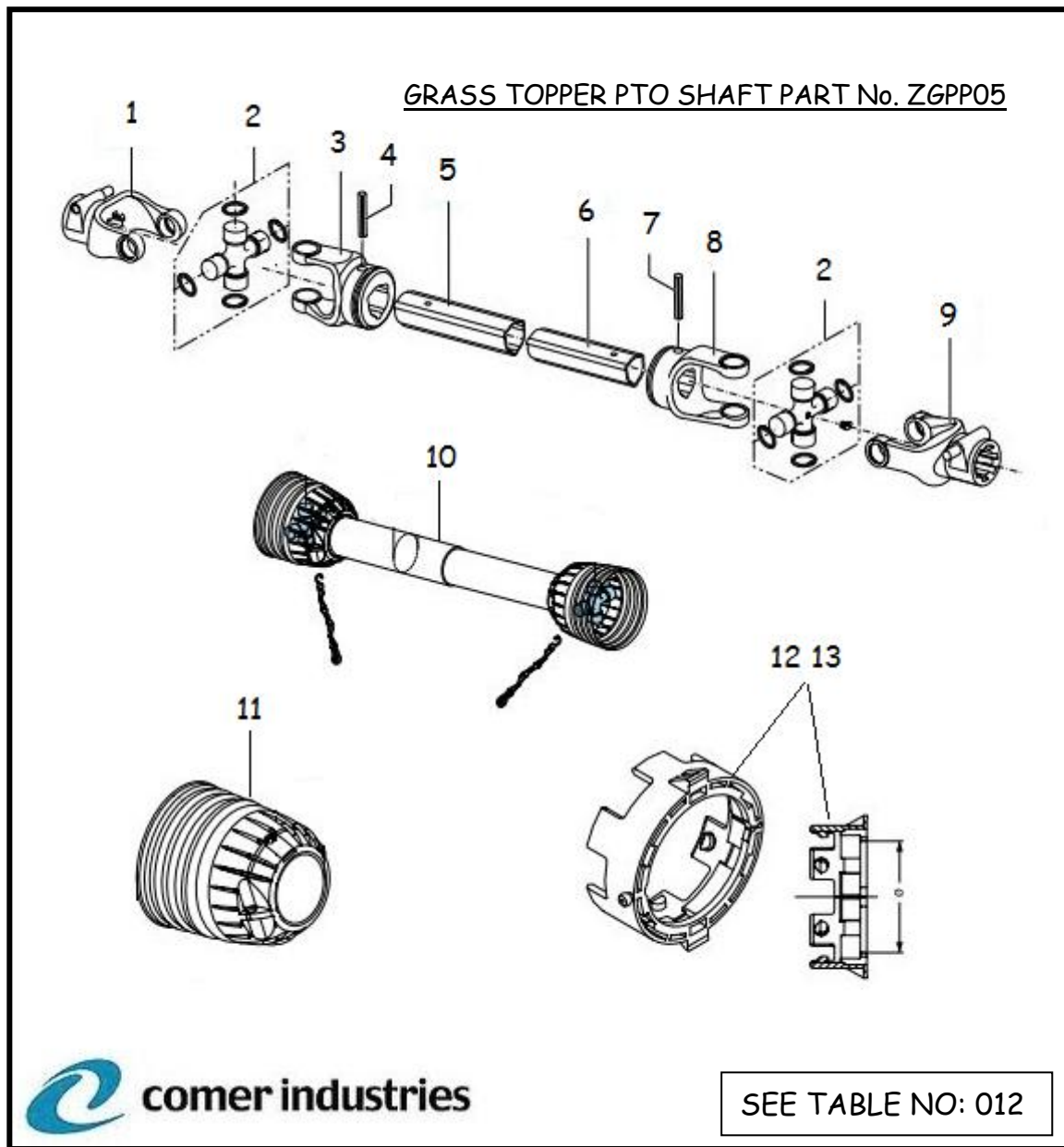
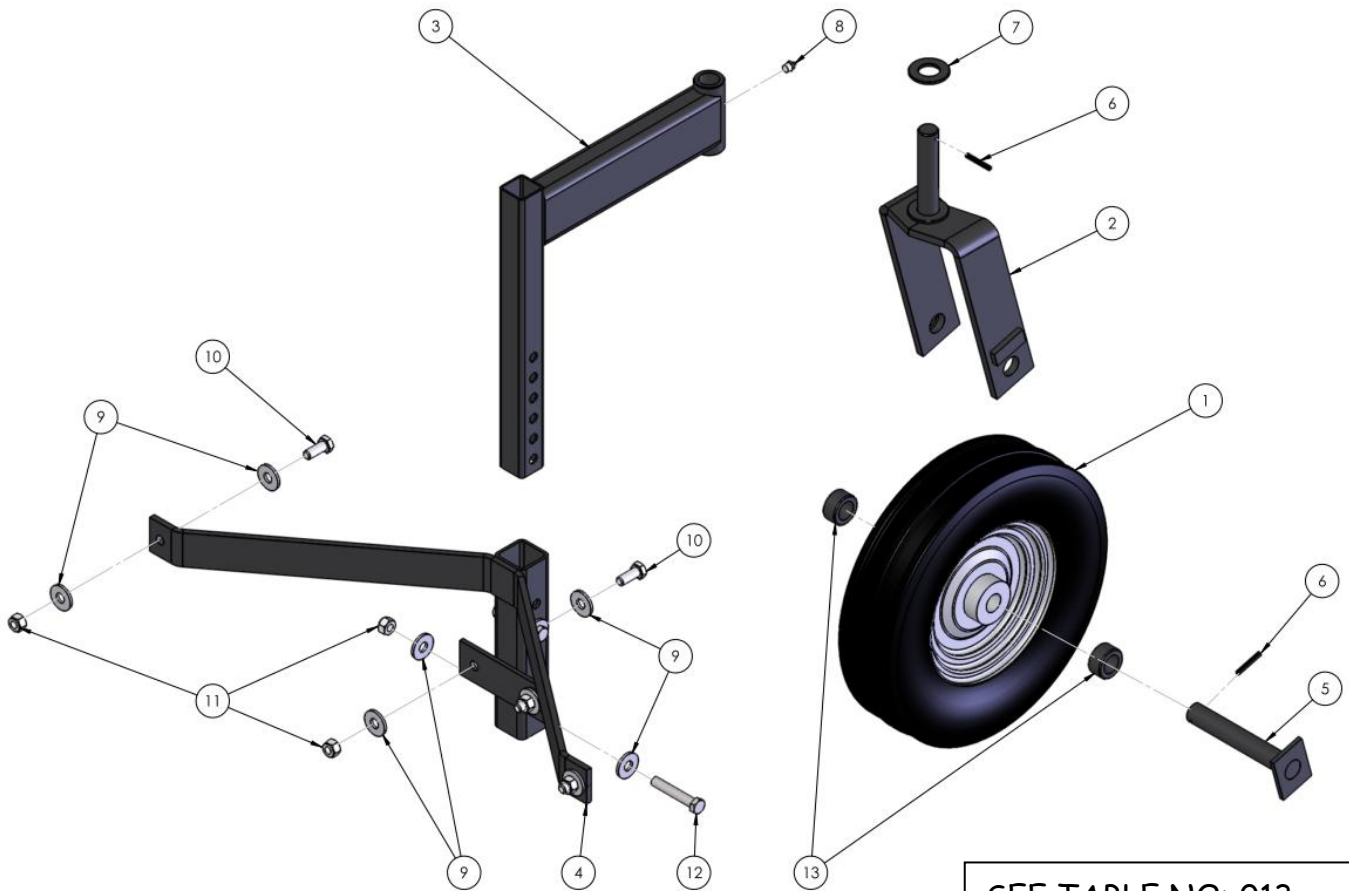


TABLE NO: 012 SHEARBOLT PTO SHAFT

ZGPP05			
POS.	PART NO.	PCS.	DESCRIPTION:
1	P6C-141-024-430	2	1 3/8" x 6 SPLINED YOKE
2	P6-200-8474	2	CROSS & BEARING KIT
3	P6C-151-014-006	1	OUTER PROFILE YOKE
4	P6C-190-000-014	1	M8 x 65mm ROLL PIN
5	P6C-152-140-213-0700	1	OUTER PROFILE TUBE 965mm
6	P6C-153-140-113	1	INNER PROFILE TUBE 980mm
7	P6C-190-000-012	1	M8 x 55mm ROLL PIN
8	P6C-151-014-007	1	INNER PROFILE YOKE
9	P9C-143-240-001	1	SHEARBOLT YOKE
10	P6C-140-340-014-9450	1	SAFETY COVER
11	P6C-180-043-510	1	SAFETY COVER CONE
12	P6C-180014505	1	(a=54mm) COVER BEARING
13	P6C-180014506	1	(a=47mm) COVER BEARING

TOP4 & TOP5 WHEELKIT



SEE TABLE NO: 013

TABLE NO: 013 TOP4 & TOP5 WHEELKIT

TOP5WK			
POS.	PART NO.	PCS.	DESCRIPTION:
1	ZGPP54	1	WHEEL
2	P001.016	1	FORK
3	P001.017	1	HEIGHT ADJUSTER
4	P001.018	1	SUPPORT BRACKET
5	P001.019	1	PIN
6	ZFAS30	2	M6x40 ROLL PIN
7	ZFAS49	3	1" TAB7 GALV WASHER
8	ZGPP30	1	1/8" BSP GREASE NIPPLE
9	ZFAS45	10	M12 GALV WASHER
10	ZFAS10	4	M12x30 SETS SCREW
11	ZFAS22	5	M12 NYLOCK NUT
12	ZFAS44	1	M12x70 SETS SCREW
13	ZMAC37	2	SPACER