



Fodder mixing wagon

Verti-Mix 40/50/70

Verti-Mix

Verti-Mix-L

Verti-Mix Double

Verti-Mix Double K

Verti-Mix Triple

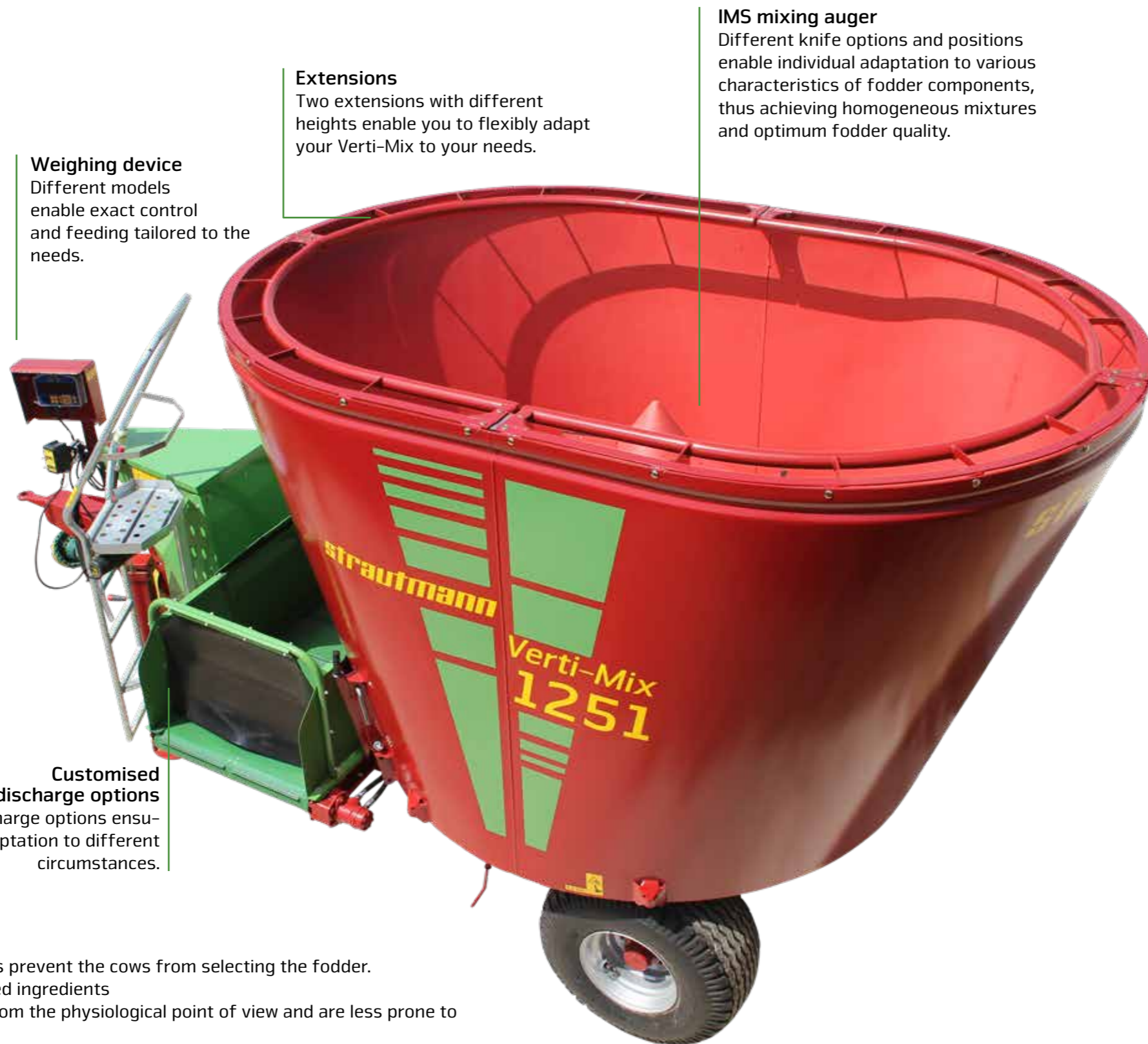


Verti-Mix

- One for all

Strautmann fodder mixing wagons

Strautmann fodder mixing wagons



Extensions
Two extensions with different heights enable you to flexibly adapt your Verti-Mix to your needs.

Weighing device
Different models enable exact control and feeding tailored to the needs.

Drawbar
Narrow and thus easy to manoeuvre. Easy to unscrew and reposition for change from bottom to top linkage and height adjustment.

IMS mixing auger
Different knife options and positions enable individual adaptation to various characteristics of fodder components, thus achieving homogeneous mixtures and optimum fodder quality.

Customised discharge options
Most varied discharge options ensure individual adaptation to different circumstances.

Why mix fodder?

- Homogeneously mixed ingredients prevent the cows from selecting the fodder.
 - Higher milk yields with improved ingredients
 - All animals are optimally fed from the physiological point of view and are less prone to diseases
 - Healthy, long-living cows for a high degree of cost effectiveness
- Time saving and easier working
- Check of feed rations by means of weighing technology packages available as optional extras
- Possible addition of low-cost by industrial products

Verti-Mix

What you are going to appreciate ...

- 1. Mixing quality**
...because only cows enjoying optimum nutrition are healthy and deliver a good milk yield!
- 2. Low power requirement**
...because your tractor may be smaller and diesel consumption be lower!
- 3. Efficiency/Speed**
... because you quickly achieve a homogeneous mixture!
- 4. Flexibility**
... because machines should adapt to your enterprise!
- 5. Reliability**
... because your cows must be fed 365 days a year!

Be among those who benefit from our more than 30 years of experience in fodder mixing technology and become one of our approx. 20,000 reference businesses!

Contents

| | |
|--|-------|
| IMS mixing auger | 4 |
| IMS equipment options | 5-7 |
| Verti-Mix 40/50/70 | 8-9 |
| Verti-Mix Double K | 10-11 |
| Verti-Mix-L | 12 |
| Verti-Mix | 13 |
| Verti-Mix Double | 14 |
| Verti-Mix Triple | 15 |
| Extensions | 16-17 |
| Discharge options | 18-21 |
| Bedding | 22-23 |
| Operating, weighing, equipment options | 24-25 |
| Technical data | 26-31 |

The allround talent

– IMS (Intensive Mix System) mixing auger

The IMS mixing auger –

Variability and strength for any purpose

Due to the patented knife adjustment, the IMS mixing auger can be perfectly adapted to your specific conditions of use. The robust and low-maintenance angular gear ensures long service life even under challenging conditions.

Strautmann Verti-Mix fodder mixing wagons substantially contribute to increase the productivity of modern dairy farms. The perfect geometry of container and IMS mixing auger is supported by the newly developed mixing auger in stepped flight design with 60-degree elements. This ensures:

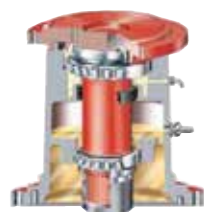
- Low power requirement
- Preservation of fodder structure
- Homogeneous mixing
- Energy-saving short mixing times

Excellent mixing quality and proven easy towing guarantee absolute cost-effectiveness for any kind of application.



Adjustable front auger end/scrapper

Due to adjustable scraper bars at the front auger end and at the scrapper, even finest components are reliably picked up from the ground and homogeneously mixed.



Robust gearbox

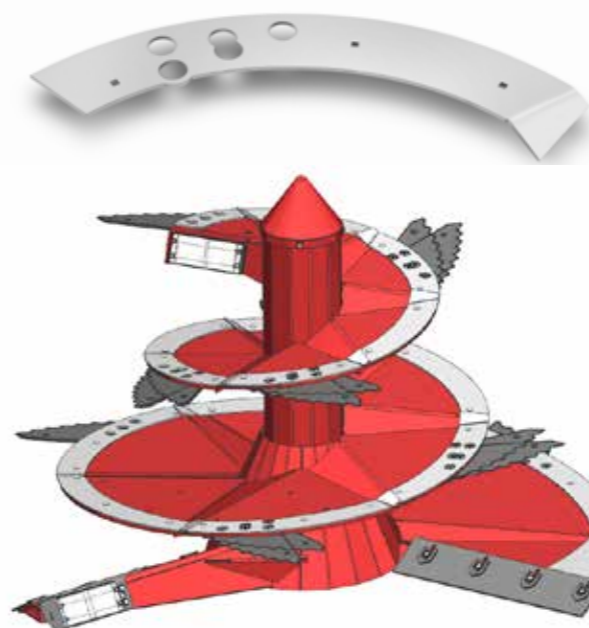
The core of the IMS mixing auger is the very robust and durable gearbox. Stability and long maintenance intervals are achieved by means of a large-sized pair of tapered rollers, double sealing and a large grease chamber.



Effective mixing

The perfect harmonisation of mixing auger geometry and the distance to the container wall forms the basis for quick and homogeneous mixing.

Extend service life – Save money!



Innodur

Optional "INNODUR" wearing elements significantly extend the service life of the IMS mixing auger.

- 5 mm thick and 100 mm wide stainless steel elements
- Screwed to the auger windings with an overlap
- Quick and easy subsequent mounting also possible
- No labour-intensive welding required

For high demands – Heavy-duty design

When the mixing auger is replaced with a residual thickness of 5 mm:

Standard mixing auger 15 mm

- Wear material 10 mm

Heavy-duty mixing auger 20 mm

- Wear material 15 mm

→ 50% longer service life = 50 % less wear costs

Stainless steel lining


Fodder rations with a high maize percentage (>75 % of the dry substance content of the total ration), in particular have an increased percentage of aggressive lactic acid. The acid attacks the container material and promotes the formation of rust films. A stainless steel lining for the container effectively prevents this.



- Stainless steel elements
- 1.5 mm thick and 90 cm high side panel elements
- 3 mm thick bottom plate
- Also subsequently available with 3 mm thick side panel elements

Individually equipped for your needs

Special equipment options help you to adapt your IMS mixing auger even better to your individual needs:

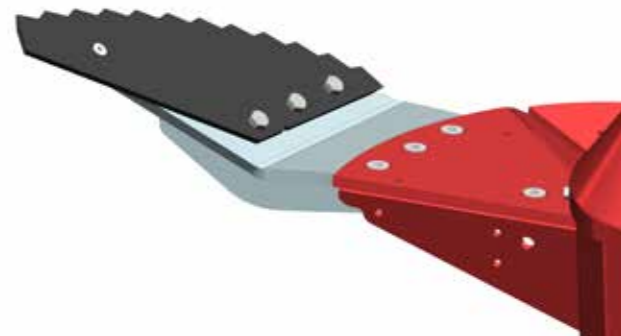
-  Short knives as standard
-  Long knives as optional equipment, ideal for undoing straw and baled silage



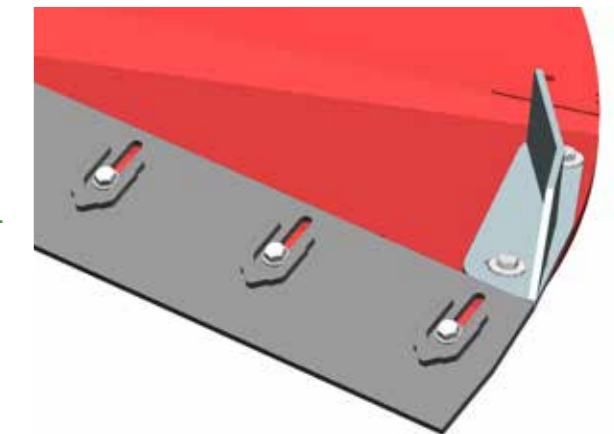
More safety for your animals!

Protective cover between mixing auger and coaxial gearbox

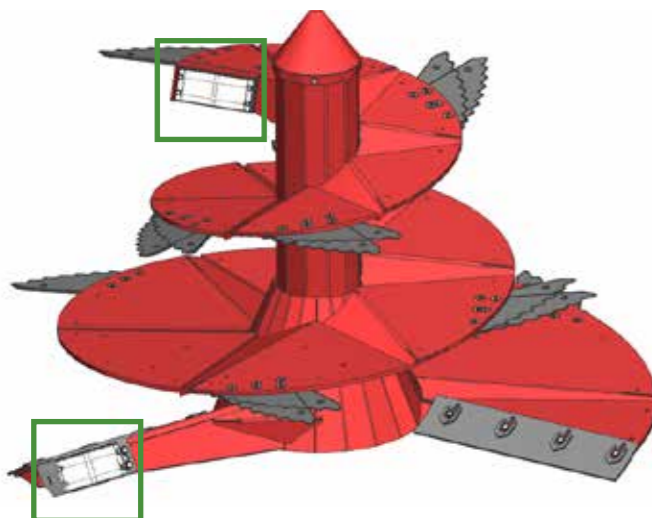
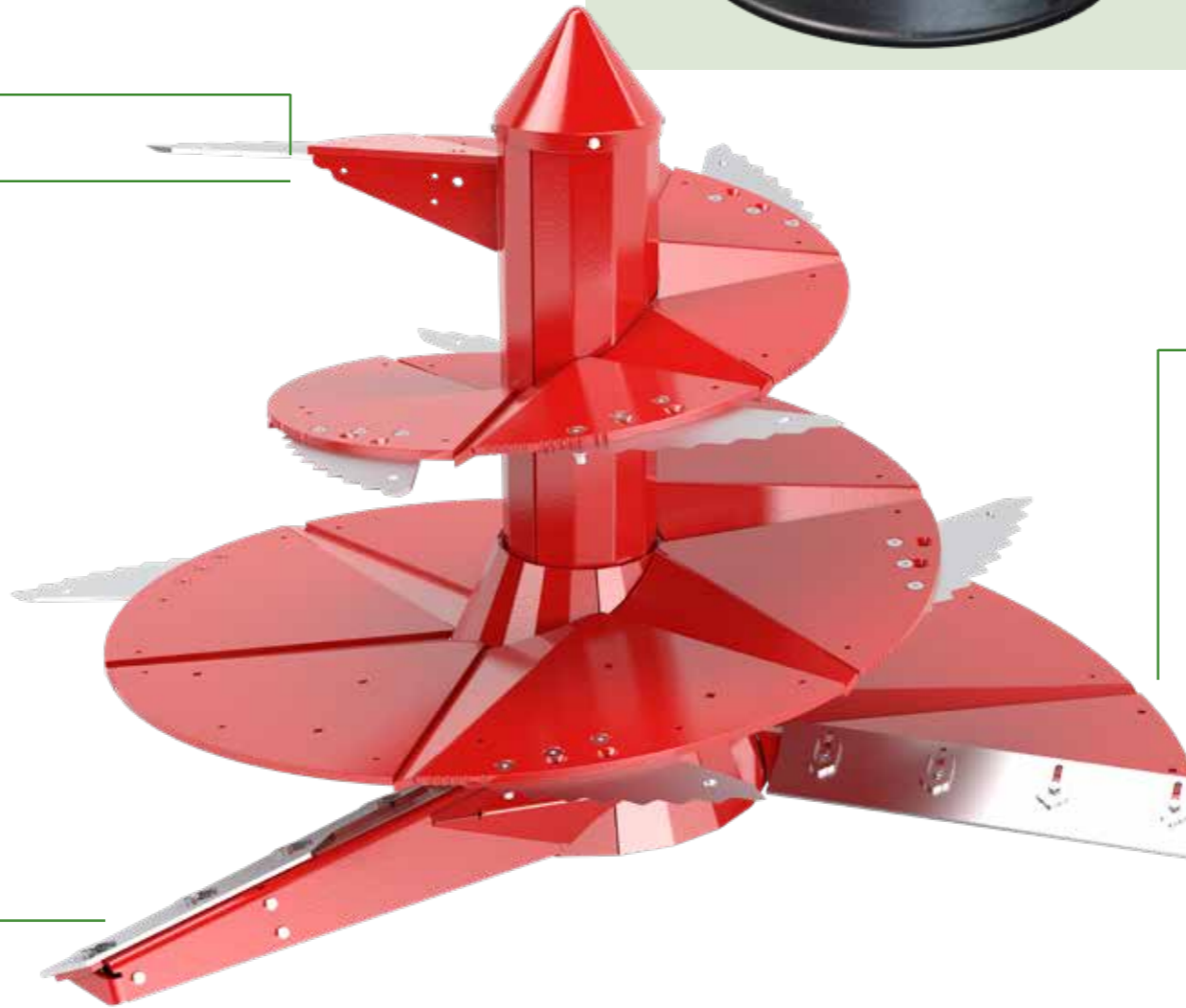
- Made of robust plastic
- Recommended for compact mixtures (compact TMR) or for addition of larger quantities of water
- Reliable protection against fodder deposits between mixing auger and gearbox



Bale knife
The bale knife is perfectly suitable for undoing round bales.



Scraper
"Scrapers" especially developed for very poorly structured feed rations (compact TMR) ensure an additional mixing effect and an improved fodder movement.



Magnets
Each silage and any kind of purchased fodder might contain metallic foreign objects which might harm your dairy cattle. The Strautmann magnets (optional) mounted directly at the mixing auger protects your valuable livestock against internal injuries, thus ensuring herd health.

The magnets are mounted such that they have direct and immediate contact with the mixed fodder and thus very effectively filter out metallic foreign objects without them being carried away again from the magnet by the following fodder.



Result after 14 days of using our magnets (wedding ring as reference in the bottom right of the photo)

Technical modifications reserved

Technical modifications reserved

Strautmann fodder mixing wagons

Verti-Mix 40/50/70

– best mixing with up to 7 m³

The three smallest models of the towed fodder mixing wagons, Verti-Mix 40/50/70, guarantee highest fodder quality and mixing accuracy – even for smaller rations. With a mixing capacity of up to 7 m³, up to 50 dairy cows can be fed once a day.

Optional weighing device
for exact dosing of all fodder components

IMS mixing auger
for a homogeneous feed ration

Optional extension
for increase of volume

Side discharge
selectable for the left-hand and/or right-hand side



Single discharge

- Feeding via side discharge options
- Selectable for the left-hand and/or right-hand side
- Loose and homogeneous fodder swathe
- The eccentric position of the discharge openings ensures even and quick fodder discharge.

Ladder

- Simplifies the addition of further components such as mineral feed or similar
- Galvanised for long service life
- Folding on Verti-Mix 40/50

Drawbar

- Available with top or bottom hitch
- Easy height adjustment by means of hole pattern

Verti-Mix 40/50/70

Verti-Mix 40/50/70



| Technical data | Verti-Mix 40 | Verti-Mix 50 | Verti-Mix 70 |
|--|-----------------------------------|-----------------------------------|-----------------------------------|
| Dimensions | | | |
| Length [m] | 3.62 | 3.62 | 4.20 |
| Width with one-sided discharge [m] | 1.79 | 1.79 | 2.06 |
| Width with two-sided discharge [m] | 1.88 | 1.88 | 2.16 |
| Height [m] | 1.92 (2.07 with 150 mm extension) | 2.18 (2.33 with 150 mm extension) | 2.12 (2.37 with 250 mm extension) |
| Container wall thickness [mm] | 6 | 6 | 6 |
| Thickness of bottom plate [mm] | 12 | 12 | 15 |
| Dead weight | | | |
| Dead weight, basic machine [kg] | 1,600 | 1,600 | 2,300 |
| Loading capacity | | | |
| Loading capacity without extension [m ³] | 4 | 5 | 6 |
| Loading capacity with 150 mm extension [m ³] | 4.5 | 5.5 | - |
| Loading capacity with 250 mm extension [m ³] | - | - | 7 |

Technical modifications reserved

Verti-Mix Double K

– low filling height with up to 21 m³

Low stable overhead clearances or limited charging ranges are no longer a problem with the Verti-Mix Double K. The conical shape of the patented container enables a position of the tyres next to the container. Thus, the filling height remains low – even with large tyres and a mixing capacity of up to 21 m³.



Optional weighing device for exact dosing of all fodder components

2 IMS mixing augers for a homogeneous feed ration

Patented container shape for a compact design with a large mixing capacity and large-sized 22.5" tyres

Conical container shape

- Patented shape: Conical container, in the rear section equipped with a smaller mixing auger
- More fodder swirling due to mixing augers of different size
 - More intensive mixing effect
- More fodder movement between the front and rear mixing auger
 - Reduced mixing times
- Enables the positioning of the wheels next to the container without affecting the vehicle width
- Large tyres possible for excellent running characteristics

Versatile discharge options

Most varied discharge options (side discharge options, crossover conveyor belts) enable a perfect adaptation of the machine to operational circumstances.

| Technical data | Verti-Mix 1300 Double K with 315/80 R 22.5 tyres | Verti-Mix 1500 Double K with 315/80 R 22.5 tyres | Verti-Mix 1800 Double K with 385/65 R 22.5 tyres | Verti-Mix 2100 Double K with 385/65 R 22.5 tyres |
|--|--|--|--|--|
| Dimensions | | | | |
| Length [m] | 5.80 | 5.87 | 6.28 | 6.36 |
| Height [m] | 2.36 | 2.58 | 2.61 | 2.86 |
| Width with crossover conveyor [m] | 2.16 | 2.16 | 2.42 | 2.42 |
| Width with one-sided discharge [m] | 2.28 | 2.28 | 2.54 | 2.54 |
| Width with two-sided discharge [m] | 2.38 | 2.38 | 2.64 | 2.64 |
| Outside wheel width [m] | 2.17 | 2.17 | 2.45 | 2.45 |
| Length with rear crossover conveyor [m] | 5.97 | 5.97 | 6.41 | 6.41 |
| Container ground clearance [m] | 0.57 | 0.57 | 0.57 | 0.57 |
| Distance Centre of drawbar lug - Centre of axle [m] | 3.96 | 3.96 | 4.27 | 4.27 |
| Dead weight | | | | |
| Basic machine from [kg] | 4,900 | 5,400 | 6,200 | 6,700 |
| Gross vehicle weight rating | | | | |
| Admissible tongue load [kg] | 1,800 | 1,800 | 2,000 | 2,000 |
| Technically admissible gross vehicle weight rating 15 km/h, single axle [kg] | 13,800 | 13,800 | 16,000 | 16,000 |
| Gross vehicle weight rating 25 km/h (StVZO), single axle [kg] | 11,800 | 11,800 | 12,000 | 12,000 |
| Power required | | | | |
| without switchgear [kW/HP] | 51/70 | 64/84 | 72/99 | 79/108 |
| with switchgear [kW/HP] | 36/50 | 39/54 | 44/61 | 48/66 |
| Loading capacity | | | | |
| Usable mixing capacity* [m ³] | 13.0 | 15.0 | 18.0 | 21.0 |
| Axle | | | | |
| Track width [mm] | 1,850 | 1,850 | 2,060 | 2,060 |
| Container | | | | |
| Container wall thickness [mm] | 8 | 8 | 8 | 8 |
| Bottom plate [mm] | 20 | 20 | 20 | 20 |
| Container length inner dimension incl. overflow ring [m] | 4.28 | 4.42 | 4.83 | 4.99 |

* Actually usable mixing capacity, augers having been deducted from the capacity

Verti-Mix-L

– homogeneous mixing, flat bed – up to 12.5 m³

With the axle positioned at the rear end of the Verti-Mix-L this machine is particularly suitable for low stable overhead clearances. Depending on the tyres and the extension, a very low height of 2.15 m can be realized. Thus, even charging a vehicle of limited height is no problem.



Technical modifications reserved

Verti-Mix

– the one-auger mixer with up to 16.5 m³

The Verti-Mix is the compact classic model of the Strautmann vertical mixers. The innovative extension concept enables expanding enterprises to adapt these fodder mixing wagons to their requirements. The IMS mixing auger and the individual discharge options make the Verti-Mix an all-rounder.



Technical modifications reserved

Verti-Mix-L

Verti-Mix

Verti-Mix Double

– Twice as good with up to 31 m³

The fodder mixing wagons of the **Verti-Mix Double** series particularly excel by their high mixing capacity, while maintaining compact dimensions. The innovative extension concept enables expanding enterprises to adapt these fodder mixing wagons to their current requirements.

Patented extension concept with 2 extension options

2 IMS mixing augers for a homogeneous feed ration



Customised discharge options for homogeneous fodder discharge

Optional with tandem axle

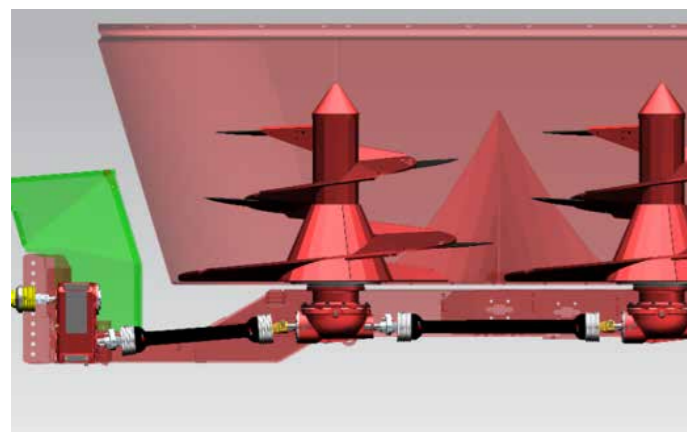


Smart container

- The adapted container geometry enables ideal vertical and horizontal mixing
→ Shorter mixing times
- Standard overflow ring for additional stability
→ Prevents the fodder from overflowing

Power line

- One shear bolt coupling in front of each mixing auger gearbox
- Optionally equipped with 2-speed reduction gear



Verti-Mix Triple

– 3 mixing augers for a maximum of 45 m³

The **Verti-Mix Triple** mixes large volumes in a homogeneous and efficient way. The Strautmann container geometry enables ideal mixing with little power and time required. Feed up to 270 cows with one mixture!

Patented extension concept with 2 extension options

Special container geometry for perfect vertical and horizontal mixing



Optional power shift gearbox



Chassis

Verti-Mix 3451 Triple:

- Standard rigid tandem axle

Options:

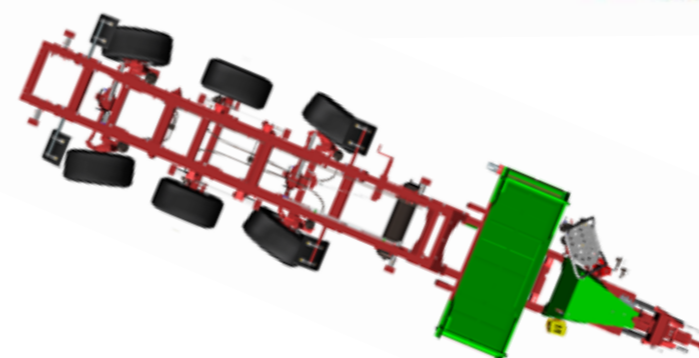
- Tandem axle with passive steering
- Tandem axle with active steering axle system
- Tridem axle with passive steering
- Tridem axle with active steering axle system

Verti-Mix 4501 Triple

- Standard tridem axle with passive steering

Option:

- Tridem axle with active steering axle system



Active steering axle

- Mechanical-hydraulic active steering axle
- Simple, robust and safe in use
- Particularly easy to manoeuvre, enables comfortable to reverse out or in
- Minimised tyre wear

Power shift gearbox

- Optional 2-level or 3-level power shift gearbox
- Less power required compared to the mechanical switchgear due to the fact that switching under load is possible
- Equipped with standard continuous oil cooler
- Operation via E-control with integrated touch terminal



You want your business to grow – your Verti-Mix adapts to your growing needs

The patented container embossing at the top container edge provides the Strautmann mixing container with additional strength and stability. It serves as the basis for variable container extensions enabling you to adapt the capacity of the mixing container to your operational requirements.

Your advantages:

- Flexible customised extension of the capacity
- Highest stability of the container due to embossing
- Design of all components for maximum possible container capacity



Full use of container capacity. Depending on the space available in the enterprise, different extension options are at your disposal.

Inner overflow ring for optimum container use in case of low overhead clearances.

If extensions are added, continue to use the overflow ring.

Verti-Mix to Verti-Mix Triple

Verti-Mix to Verti-Mix Triple



The right Verti-Mix – For your needs...

Container width Machine height*

2.16 m 2.30 m



2.28 m 2.58 m



2.42 m 2.76 m



2.42 m 2.94 m



1.96 m 2.28 m



2.16 m 2.34 m



2.28 m 2.66 m



2.42 m 3.11 m



2.28 m 2.80 m



2.42 m 3.13 m



- Feeding of 6–8 cows per m³ when feeding once a day (depending on the ingredients/TS content)
- Volume adjustment possible by means of container extensions
- Basic machine/Mixing auger is always designed for maximum capacity
- The volume specified corresponds to the actual mixing capacity. The mixing augers have already been deducted from the volume.

*with smallest tyres
Technical modifications reserved

Discharge options – adapted to your enterprise

Verti-Mix to Verti-Mix Triple

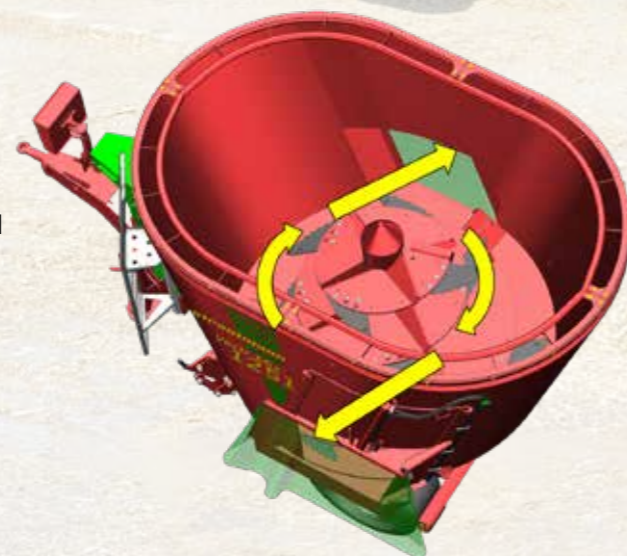
Verti-Mix to Verti-Mix Triple



In the case of side discharge, the eccentric position of the discharge openings ensures **homogeneous fodder discharge**.

- Loose and homogeneous fodder swathe
- Discharge position at optimum location at the fodder mixing wagon, relative to the flow of material in the container
- No travelling over the fodder
- No fodder deposits at the gate

Select from a multitude of discharge options and make your fodder mixing wagon a specialist.



Fodder-protecting discharge via adjustable side chutes

At the side discharge devices, adjustable chutes support the fodder discharge. The side chute is mechanically operated by the side gate.

- Moves to rest position with the gate closed – Fodder residues move onto the swathe and do not fall onto the drive path
- Ensures fodder discharge beyond the lane – the wheels do not roll over the discharged fodder



Discharge in narrow dead-end feeding passages

- For comfortable feeding even in narrow dead-end feeding passages, side gates behind the wheels are used.
- The fodder is loosely discharged on one or both sides behind the wheels.*



Rear centre discharge*

- For central fodder discharge on the feeding table
- Ideal for the dosing of premixtures in silo units



Side discharge with conveyor extension*

- Discharge with hydraulically folding conveyor extension
- Variable discharge width due to optional speed adjustment via hand-operated regulator or E-control
- Enables dosing into elevated feeding troughs

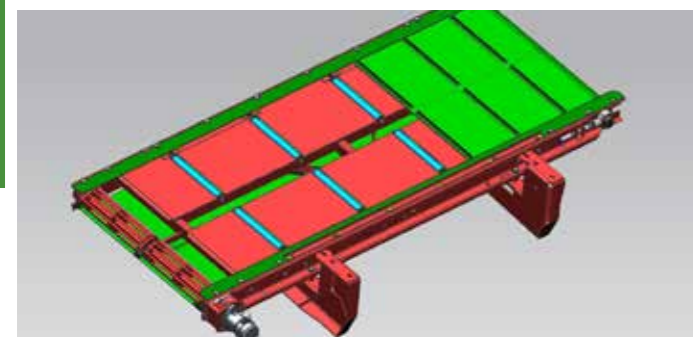
*except for Verti-Mix 40/50/70

Technical modifications reserved

Even and loose discharge – The Strautmann crossover conveyor

Easy discharge within the field of view. The Strautmann crossover conveyor proven in ten thousands of applications discharges the mixed feed (in case of front discharge) – due to the open design easily visible for the driver on the right-hand or left-hand side in the direction of motion. Variable conveyor speeds achieved by means of different motors or direct adjustability enable the fodder discharge width to be adapted as far as right up to directly in front of the feed fence. Speed adjustment is optionally available in mechanically-operated or electrically-operated version. The crossover conveyor drive is equipped with a standard floating oil motor, such that the conveyor is particularly smoothly running and there is no risk of bearing distortions. The crossover conveyor is directly connected with the container. Thus, fodder residues on the conveyor are also weighed and exact fodder discharge is ensured.

The proven **lattice bar roller** ensures high tractions of the driving roller and slip-free power transmission. It prevents material from piling up on the roller and increases the service life of the conveyor thanks to the gentle return of the conveyor.



- Front crossover conveyor**
- Clean and homogeneous fodder discharge
 - Optimum view of the fodder discharge from the tractor seat
 - Variable discharge width due to optional speed adjustment via hand-operated regulator or E-control
 - Optional 2nd hydraulic motor for two-sided drive



- Rear crossover conveyor**
- Clean and homogeneous fodder discharge
 - Ideal for discharge in dead-end feeding passages
 - Optimum view to the rear due to optional rear-view camera
 - Variable discharge width due to optional speed adjustment via hand-operated regulator or E-control



- Front V-conveyor**
- Conveyor with displacement to the side (25 cm on both sides) and height adjustment (0-55 cm)
 - Equipped with 2 hydraulic motors as standard
 - For most varied stable conditions
 - Discharge at a distance to the machine or into elevated troughs



- Crossover conveyor with hydraulically folding conveyor extension**
- Clean and homogeneous fodder discharge
 - Enables the charging of elevated troughs and feeding tables
 - Despite increased discharge width, compact dimensions due to hydraulic swivel mechanism
 - Variable discharge width due to optional speed adjustment via hand-operated regulator or E-control



Dual-use machine - Cubicle management with your Verti-Mix



Verti-Mix to Verti-Mix Triple

Additional benefit for your Verti-Mix by use as bedding equipment

A high-yield cow requires 2 kg of bedding material every day – more than 6 t per month for 100 cows. Thanks to this optional extra equipment, your Verti-Mix fodder mixing wagon can also be used for that type of work.



Fast bedding roller*

The cleaner and more germ-free the cubicle, the healthier the animals. The ideal bedding materials are straw, peat, sawdust and lime. After the mixing process in the container has been finished, the bedding material is spread up to the head region of the cubicles via the roller – comfortably and reliably for maximum animal comfort and udder health. If not in use, the roller can be easily folded to transport position by hydraulic operation.

*only in combination with E-control



In transport position

Technical modifications reserved

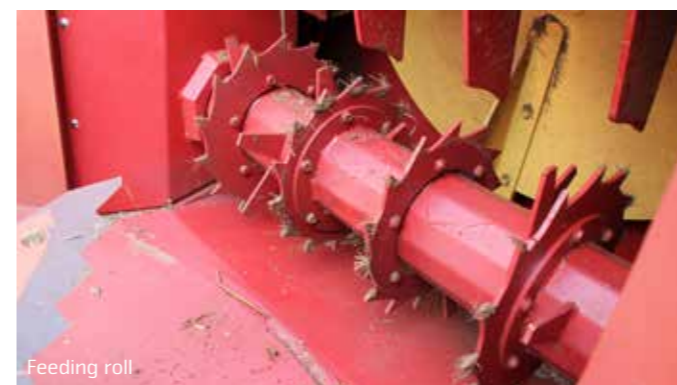


Verti-Mix, Verti-Mix Double



Straw blower*

- The IMS mixing auger easily cuts up the straw bale and undoes it
- The mechanically powered straw blower throws the bedding mixture up to a width of 20 m into the stable
- Electro-hydraulic operation for the straw blower functions
- The standard position of the blower outlet is on the right-hand side in the direction of motion
- The throwing range can be hydraulically adjusted by means of a chute



Feeding roll

Feeding roll

- Optional hydraulically powered feeding roll
- Positioning in front of the throwing blower enables interruption of the discharge by switching the roll off
- Particularly recommended for more humid bedding mixtures and fodder discharge into elevated troughs



Rotary tower adjustment

- Optional rotary tower adjustment
- Throwing blower can be hydraulically rotated from right-hand discharge in the direction of motion to left-hand discharge

*not available on Verti-Mix 40/50/70, Verti-Mix-L, Verti-Mix Double K, Verti-Mix Triple (Straw blower only available with front discharge)

Technical modifications reserved

Operating, weighing and further equipment options

- Take your choice

The Strautmann operating options

Strautmann responds to individual customer demands also with regard to the kind of operating device. The selection of the operating option depends on the user's requirements.



1. Direct tractor connection

Precondition:
One double-acting control device for each function

Reasonable if:
... the tractor is uncoupled only rarely
... the fodder mixing wagon is only equipped with a side discharge



2. Operation via Bowden cable

Precondition:
One double-acting control device at the tractor or alternatively one single-acting control device with free return line

Reasonable if:
... older tractors with only a few control devices are used



3. Electrical control set

Precondition:
One double-acting control device at the tractor or alternatively one single-acting control device with free return line

Reasonable if:
... awareness of comfort is existent and an increase in efficiency is requested
... the number of existing control devices is not sufficient for the machine functions



Counter-cutter (hydraulic adjustment)



Rear-view camera & headlights



Monitor for rear-view camera



Coupling head linkage K80



Mineral feed funnel



Lighting

Weighing devices

The weighing device is an integral component of the fodder mixing wagon. Only an exact quantity determination of the individual ingredients ensures full use of the profitability of the fodder mixing wagon. The PTM Advance Super USB weighing devices and the CowConnect Box are WLAN compatible, the appropriate software is separately available.



PTM AV 75
Radio remote control

1. PTM HL 50 -programmable weighing device

The PTM HL 50 is the starter model of the Strautmann weighing devices

- 50 recipes, from 30 ingredients
- Assessment
- Acoustic/Visual signal
- Compatible with radio remote control AV 70 for comfortable operation of weighing computer from the charging vehicle

2. PTM Advance Super USB - programmable weighing device

A complete feeding control including time recording is of fundamental importance for cost optimisation on dairy farms.

- 150 recipes
- From 99 ingredients, 30 can be used per recipe
- Multi-Link compatible - several devices can be connected
- Optional: Wireless communication with farm PC via WLAN antenna



3. CowConnect Box incl. weighing rods and holder

- Easy to operate via app on own smartphone
- Own WLAN network
- Incl. 12 months CowConnect Lite software
- After expiration of 12 months usable free of charge as adding scales

CowConnect terminal

- Mini terminal or comfortable 8" display
- For operation of weighing device
- Convenient working from the charging vehicle
- Ideal for mobile use

Alternative: Use your own smartphone with WLAN as terminal!

Technical data

| | Verti-Mix 75-L | Verti-Mix 90-L | Verti-Mix 105-L | Verti-Mix 125-L |
|--|-------------------|-------------------|--------------------|--------------------|
| Dimensions | | | | |
| Length [m] | 4.57 | 4.57 | 4.70 | 4.72 |
| Height [m] | 2.18 | 2.55 | 2.55 | 2.84 |
| Width with one-sided discharge [m] | 2.26 | 2.26 | 2.38 | 2.38 |
| Width with two-sided discharge [m] | 2.36 | 2.36 | 2.48 | 2.48 |
| Outside wheel width (with smallest tyres) [m] | 1.91 | 1.91 | 1.91 | 1.91 |
| Container ground clearance (with smallest tyres) [m] | 0.53 | 0.53 | 0.53 | 0.53 |
| Distance Centre of drawbar lug - Centre of axle [m] | 4.13 | 4.13 | 4.26 | 4.26 |
| Dead weight | | | | |
| Basic machine from approx. [kg] | 3,000 | 3,250 | 3,500 | 3,800 |
| Gross vehicle weight rating | | | | |
| Tongue load [kg] | 2,500 | 2,500 | 2,500 | 2,500 |
| Technically admissible gross vehicle weight rating 15 km/h, single axle [kg] | 7,500 | 7,500 | 7,500 | 7,500 |
| Loading capacity | | | | |
| Usable mixing capacity [m ³] | 7.5 | 9.0 | 10.5 | 12.5 |
| Axle | | | | |
| Track width [mm] | 1,650 | 1,650 | 1,650 | 1,650 |
| Container | | | | |
| Container wall thickness [mm] | 8 | 8 | 8 | 8 |
| Bottom plate [mm] | 18 | 18 | 18 | 18 |
| Container length inner dimension incl. overflow ring [m] | 1.55 | 1.92 | 1.92 | 2.21 |
| Vehicle height depending on tyres with single axle* | | | | |
| 30 x 11.5 - 14.5 [m] | 2.14 | 2.34 | 2.47 | 2.74 |
| 250-15 18 (18 PR) [m] | 2.12 | 2.32 | 2.45 | 2.72 |
| 10.0/75-15.3 (18 PR) [m] | 2.14 | 2.33 | - | - |
| 400/60-15.5 (18 PR) [m] | 2.17 | 2.37 | 2.50 | 2.77 |

* Machine height can be additionally reduced by up to 60 mm.



| | Verti-Mix 951 7.5 / 8.5 / 9.5 [m ³] | Verti-Mix 1251 10.0 / 11.0 / 12.5 [m ³] | Verti-Mix 1401 12.0 / 13.0 / 14.0 [m ³] | Verti-Mix 1651 13.5 / 15.0 / 16.5 [m ³] |
|--|---|---|---|---|
|--|---|---|---|---|

| | | | | |
|---|-----------------------|-----------------------|-----------------------|-----------------------|
| Dimensions | | | | |
| Length [m] | 4.65 | 4.87 | 5.07 | 5.10 |
| Width with crossover conveyor [m] | 2.16 | 2.28 | 2.42 | 2.42 |
| Width with one-sided discharge [m] | 2.26 | 2.38 | 2.52 | 2.52 |
| Width with two-sided discharge [m] | 2.36 | 2.48 | 2.62 | 2.62 |
| Outside wheel width [m] | 1.78 | 2.04 | 2.23 | 2.23 |
| Extension height [m] | - / 0.18 / 0.36 | - / 0.18 / 0.36 | - / 0.18 / 0.36 | - / 0.18 / 0.36 |
| Length with front crossover conveyor [m] | 5.30 | 5.50 | 5.75 | 5.75 |
| Length with rear crossover conveyor [m] | 4.90 | 5.04 | 5.17 | 5.17 |
| Container ground clearance (with smallest tyres) [m] | 0.74 | 0.74 | 0.76 | 0.76 |
| Distance Centre of drawbar lug - Centre of axle [m] | 3.38 | 3.47 | 3.72 | 3.72 |
| Distance Centre of drawbar lug - Centre of axle with front crossover conveyor [m] | 4.10 | 4.19 | 4.29 | 4.29 |
| Dead weight | | | | |
| with crossover conveyor [kg] | 3,200 / 3,250 / 3,300 | 3,800 / 3,900 / 4,000 | 4,700 / 4,800 / 4,900 | 4,900 / 5,000 / 5,100 |
| Gross vehicle weight rating | | | | |
| Admissible tongue load [kg] | 1,000 | 1,200 | 1,400 | 1,400 |
| Technically admissible gross vehicle weight rating 15 km/h single axle [kg] | 7,000 | 12,000 | 12,200 | 12,200 |
| Gross vehicle weight rating 25 km/h (StVZO) single axle [kg] | 7,000 | 9,000 | 11,400 | 11,400 |
| Power required HP | | | | |
| without switchgear 23 rpm | - | - | - | 73 / 80 / 88 |
| with switchgear 12.8/23 rpm | - | - | - | 45 / 49 / 54 |
| without switchgear 26 rpm | 35 / 39 / 42 | 50 / 53 / 56 | 64 / 69 / 74 | - |
| with switchgear 14.4/26 rpm | 25 / 28 / 30 | 35 / 38 / 41 | 40 / 43 / 46 | - |
| without switchgear 30 rpm | 44 / 47 / 51 | 67 / 70 / 73 | 76 / 82 / 88 | 88 / 96 / 105 |
| with switchgear 16.7/30 rpm | 32 / 34 / 37 | 47 / 50 / 53 | 54 / 58 / 62 | 62 / 69 / 73 |
| Power required kW | | | | |
| without switchgear 23 rpm | - | - | - | 54 / 59 / 65 |
| with switchgear 12.8/23 rpm | - | - | - | 33 / 36 / 40 |
| without switchgear 26 rpm | 26 / 29 / 31 | 37 / 39 / 41 | 47 / 51 / 54 | - |
| with switchgear 14.4/26 rpm | 18 / 21 / 22 | 26 / 28 / 30 | 29 / 32 / 34 | - |
| without switchgear 30 rpm | 32 / 35 / 38 | 49 / 51 / 54 | 56 / 60 / 65 | 65 / 71 / 77 |
| with switchgear 16.7/30 rpm | 24 / 25 / 27 | 35 / 37 / 39 | 40 / 43 / 46 | 46 / 51 / 54 |
| Axle | | | | |
| Track width [mm] | 1,510 | 1,630 | 1,740 | 1,740 |
| Container | | | | |
| Container wall thickness [mm] | 8 | 8 | 8 | 8 |
| Bottom plate [mm] | 18 | 20 | 20 | 20 |
| Container length inner dimension incl. overflow ring [m] | 2.63 | 2.93 | 3.21 | 3.27 |

Technical modifications reserved

Verti-Mix 951 7.5 / 8.5 / 9.5 [m³]
 Verti-Mix 1251 10.0 / 11.0 / 12.5 [m³]
 Verti-Mix 1401 12.0 / 13.0 / 14.0 [m³]
 Verti-Mix 1651 13.5 / 15.0 / 16.5 [m³]

| Vehicle height depending on tyres with single axle | Verti-Mix 951 | Verti-Mix 1251 | Verti-Mix 1401 | Verti-Mix 1651 |
|---|--------------------|--------------------|--------------------|--------------------|
| 30 x 11.5 - 14.5 [m] | 2.30 / 2.48 / 2.66 | 2.59 / 2.77 / 2.95 | - | - |
| 250-15 18 (18 PR) [m] | 2.32 / 2.50 / 2.68 | - | - | - |
| 10.0/75-15.3 (18 PR) [m] | 2.31 / 2.49 / 2.67 | - | - | - |
| 400/60-15.5 (14 PR) [m] | 2.43 / 2.61 / 2.79 | - | - | - |
| 400/60-15.5 (18 PR) [m] | - | 2.72 / 2.90 / 3.08 | 2.89 / 3.07 / 3.25 | 3.05 / - / - |
| 400/60-15.5 (18 PR) reduction of load capacity [kg] | - | - | 9,660 | 9,660 |
| 8.15-15 (14 PR) double, track 1500 mm [m] | - | 2.58 / 2.76 / 2.94 | 2.76 / 2.94 / 3.12 | 2.94 / 3.12 / 3.30 |
| 215/75R17.5 (133) double [m] | - | - | 2.80 / 2.98 / 3.16 | 2.97 / 3.15 / 3.33 |
| 435/50 R 19.5 [m] | - | 2.80 / 2.98 / 3.16 | 2.97 / 3.15 / 3.33 | 3.14 / 3.32 / 3.50 |

Verti-Mix 1501 Double 12 / 13.5 / 15 [m³]
 Verti-Mix 1801 Double 14 / 16 / 18 [m³]
 Verti-Mix 2401 Double 19 / 21.5 / 24 [m³]
 Verti-Mix 3101 Double 25 / 28 / 31 [m³]

| Dimensions | Verti-Mix 1501 Double | Verti-Mix 1801 Double | Verti-Mix 2401 Double | Verti-Mix 3101 Double |
|---|-----------------------|---|---|---|
| Length [m] | 6.34 | 6.71 | 7.06 | 7.44 |
| Width with crossover conveyor [m] | 1.96 | 2.16 | 2.28 | 2.42 |
| Width with one-sided discharge [m] | 2.06 | 2.26 | 2.38 | 2.52 |
| Width with two-sided discharge [m] | 2.16 | 2.36 | 2.48 | 2.62 |
| Outside wheel width [m] | 2.03 | 2.03 | 2.25 | 2.37 |
| Extension height [m] | - / 0.18 / 0.36 | - / 0.18 / 0.36 | - / 0.18 / 0.36 | - / 0.18 / 0.36 |
| Length with front crossover conveyor [m] | 7.01 | 7.40 | 7.76 | 8.13 |
| Length with rear crossover conveyor [m] | 6.61 | 6.98 | 7.27 | 7.55 |
| Discharge height, crossover conveyor [m] | 0.79 | 0.81 | 0.81 | 0.92 |
| Distance Centre of drawbar lug - Centre of axle [m] | 4.37 | 4.55 | 4.55 | 4.70 |
| Distance Centre of drawbar lug - Centre of axle with front crossover conveyor [m] | 5.03 | 5.24 | 5.24 | 5.40 |
| Dead weight | | | | |
| with two-sided discharge [kg] | 5,300 / 5,350 / 5,400 | 5,900 / 5,950 / 6,000 | 7,100 / 7,150 / 7,200 | 9,400 / 9,500 / 9,600 |
| with crossover conveyor [kg] | 5,500 / 5,550 / 5,600 | 6,100 / 6,150 / 6,200 | 7,300 / 7,350 / 7,400 | 9,600 / 9,700 / 9,800 |
| Gross vehicle weight rating | | | | |
| Admissible tongue load [kg] | 1,800 | 1,800 | 1,800 | 2,000 |
| Admissible tongue load if axle moved forward by 400 mm [kg] | 400 | - | - | - |
| Technically admissible gross vehicle weight rating 15 km/h, Single axle [kg] | 11,800 | 12,600 | 12,600 | - |
| Technically admissible gross vehicle weight rating 15 km/h, Tandem axle [kg] | - | 11,800 (track 1650mm) / 17,800 (track 1720mm) | 17,800 (track 1720mm) / 25,800 (track 1930mm) | 18,000 (track 1720mm) / 26,000 (track 1930mm) |
| Gross vehicle weight rating 25 km/h (StVZO), Single axle [kg] | 11,800 | 11,800 | 11,800 | - |
| Gross vehicle weight rating 25 km/h (StVZO), Tandem axle [kg] | - | 17,800 (track 1720mm) | 17,800 | 18,000 |
| Power required HP | | | | |
| with switchgear 12.8/23 rpm | - | - | - | 101 / 106 / 112 |
| without switchgear 26 rpm | 84 / 92 / 102 | 90 / 99 / 109 | 130 / 139 / 146 | - |
| with switchgear 14.4/26 rpm | 52 / 57 / 62 | 54 / 61 / 67 | 82 / 87 / 91 | - |
| without switchgear 30 rpm | 99 / 109 / 120 | 114 / 124 / 133 | 142 / 155 / 166 | - |
| with switchgear 16.7/30 rpm | 62 / 67 / 73 | 71 / 76 / 82 | 99 / 106 / 111 | 113 / 125 / 133 |
| Power required kW | | | | |
| with switchgear 12.8/23 rpm | - | - | - | 75 / 78 / 83 |
| without switchgear 26 rpm | 61 / 67 / 75 | 66 / 72 / 80 | 95 / 102 / 107 | - |
| with switchgear 14.4/26 rpm | 38 / 42 / 45 | 39 / 44 / 49 | 60 / 64 / 67 | - |
| without switchgear 30 rpm | 72 / 80 / 88 | 83 / 91 / 97 | 104 / 114 / 122 | - |
| with switchgear 16.7/30 rpm | 45 / 49 / 53 | 52 / 55 / 60 | 72 / 78 / 81 | 83 / 91 / 97 |
| Axle | | | | |
| Track width [mm] | 1,520 | 1,520 / 1,650 / 1,720 | 1,720 / 1,930 | 1,720 / 1,930 |

Technical modifications reserved

Technical data Verti-Mix

Technical data Verti-Mix Double



| | Verti-Mix 1501 Double 12 / 13.5 / 15 [m³] | Verti-Mix 1801 Double 14 / 16 / 18 [m³] | Verti-Mix 2401 Double 19 / 21.5 / 24 [m³] | Verti-Mix 3101 Double 25 / 28 / 31 [m³] |
|--|--|--|--|--|
| Container | | | | |
| Container wall thickness [mm] | 8 | 8 | 8 | 8 |
| Bottom plate [mm] | 18 | 20 | 20 | 20 |
| Container length inner dimension incl. overflow ring [m] | 4.40 | 4.77 | 5.19 | 5.67 |
| Vehicle height depending on tyres with single axle | | | | |
| 400/60-15.5 (18 PR) [m] | 2.44 / 2.62 / 2.80 | - | - | - |
| 400/60-15.5 (18 PR) track 1500 mm, central axle position [m] | 2.38 / 2.56 / 2.74 | | | |
| 8.15-15 (14 PR) double, track 1500 mm [m] | 2.29 / 2.47 / 2.65 | 2.34 / 2.52 / 2.70 | | |
| 8.15-15 (14 PR) double, track 1500 mm, central axle position [m] | 2.28 / 2.46 / 2.64 | | | |
| 215/75 R 17.5 (133) double, track 1500 mm, central axle position [m] | 2.35 / 2.52 / 2.70 | | | |
| 215/75R17.5 (133) double [m] | 2.36 / 2.54 / 2.72 | 2.37 / 2.55 / 2.73 | | |
| 235/75R 17.5, double, track 1720 mm [m] | | | 2.66 / 2.84 / 3.02 | |
| 435/50 R 19.5 [m] | 2.51 / 2.69 / 2.87 | 2.52 / 2.70 / 2.88 | 2.80 / 2.98 / 3.16 | |
| 435/50 R 19.5 track 1500 mm, central axle position [m] | 2.49 / 2.67 / 2.85 | | | |
| 455/45R 22.5, track 1720 mm [m] | | | 2.85 / 3.03 / 3.21 | |
| Vehicle height depending on tyres with tandem axle | | | | |
| 10.0/75-15.3 TD track 1650 mm [m] | | 2.40 / 2.58 / 2.76 | | |
| 235/75 R 17.5 [m] | | | | 3.11 / 3.29 / 3.47 |
| 400/60-15.5 (18 PR), track 1720 mm [m] | | 2.51 / 2.69 / 2.87 | 2.80 / 2.98 / 3.16 | |
| 435/50 R 19.5, track 1930 mm [m] | | | 2.89 / 3.07 / 3.25 | 3.23 / 3.41 / 3.59 |
| 435/50 R 19.5 TD, track 1720 mm [m] | | 2.58 / 2.76 / 2.94 | 2.86 / 3.04 / 3.22 | 3.19 / 3.37 / 3.56 |

Technical data Verti-Mix Double



| | Verti-Mix 3451 Triple 28.5 / 31.5 / 34.5 [m³] | Verti-Mix 4501 Triple 38.0 / 41.5 / 45.0 [m³] |
|---|--|--|
| Dimensions | | |
| Length [m] | 9.43 | 9.94 |
| Width with crossover conveyor [m] | 2.28 | 2.42 |
| Width with one-sided discharge [m] | 2.38 | 2.52 |
| Width with two-sided discharge [m] | 2.48 | 2.62 |
| Outside wheel width [m] | 2.17 | 2.36 |
| Extension height [m] | - / 0.18 / 0.36 | - / 0.18 / 0.36 |
| Length with front crossover conveyor [m] | 10.15 | 10.66 |
| Discharge height [m] | 1.10 | 1.05 |
| Distance Centre of drawbar lug - Centre of axle [m] | 5.86 | 6.00 |
| Distance Centre of drawbar lug - Centre of axle with front crossover conveyor [m] | 6.59 | 6.72 |
| Dead weight | | |
| with two-sided discharge [kg] | 10,874 / 10,987 / 11,100 | 13,258 / 13,379 / 13,500 |
| with crossover conveyor [kg] | 11,174 / 11,287 / 11,400 | 13,558 / 13,679 / 13,800 |
| Gross vehicle weight rating | | |
| Admissible tongue load [kg] | 2,000 | 2,000 |
| Axle load [kg] | 9,000 | 8,000 |
| Technically admissible gross vehicle weight rating 15 km/h, tandem axle [kg] | 26,000 | - |
| Technically admissible gross vehicle weight rating 15 km/h, tridem axle [kg] | 38,000 | 38,000 |
| Gross vehicle weight rating 25 km/h (StVZO), tandem axle [kg] | 20,000 | - |
| Gross vehicle weight rating 25 km/h (StVZO), tridem axle [kg] | 26,000 | 26,000 |
| Power required HP | | |
| with switchgear 12.8/23 rpm | - | 170 / 180 / 190 |
| with switchgear 14.4/26 rpm | 140 / 150 / 160 | - |
| with switchgear 16.7/30 rpm | 160 / 170 / 180 | - |
| Power required kW | | |
| with switchgear 12.8/23 rpm | - | 125 / 132 / 139 |
| with switchgear 14.4/26 rpm | 103 / 110 / 117 | - |
| with switchgear 16.7/30 rpm | 117 / 125 / 132 | - |
| Axle | | |
| Track width [mm] | 1,730 | 1,800 |
| Wheelbase [m] | 1,360 | 1,360 |
| Container | | |
| Container wall thickness [mm] | 8 | 8 |
| Bottom plate [mm] | 20 | 20 |
| Container length inner dimension incl. overflow ring [m] | 7.48 | 8.09 |
| Vehicle height depending on tyres with tandem axle | | |
| 435/50 R 19.5, track 1930 mm [m] | 2.90 / 3.08 / 3.26 | - |
| 235/75 R 17.5 double [m] | 2.80 / 2.98 / 3.16 | - |
| 455/45 R 22.5 [m] | 2.94 / 3.12 / 3.30 | - |
| Vehicle height depending on tyres with tridem axle | | |
| 235/75 R 17.5 double, track 1720 mm [m] | 2.80 / 2.98 / 3.16 | 3.13 / 3.31 / 3.49 |
| 435/50 R 19.5 [m] | 2.90 / 3.08 / 3.26 | 3.23 / 3.41 / 3.59 |
| 455/45 R 22.5, track 1720 mm [m] | 2.94 / 3.12 / 3.30 | 3.27 / 3.45 / 3.63 |

Technical modifications reserved

Technical data Verti-Mix Triple



www.strautmann.com

B. Strautmann & Söhne GmbH u. Co. KG



Bielefelder Straße 53
D-49196 Bad Laer
Phone: +49(0)5424/802-0
Fax: +49(0)5424/802-76
info@strautmann.com
www.strautmann.com