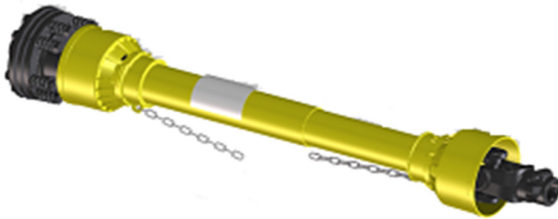


ROTARY TILLERS

UL - SERIES

UL0.9 (UL36) – UL1.05 (UL42) - UL1.2 (UL48) –
UL1.5(UL60)



PARTS MANUAL



Tirth Agro Technology Pvt. Ltd.
ISO 9001:2008 Certified Company

Manual P/N: PM 1121-2 / REV. 07 / 2016



Congratulation for purchasing your new Shaktiman rotary tiller!

This tiller has been designed and manufactured following all safety and quality requirements needed for a safe and satisfactory use over time.

A careful reading of this manual will permit you to familiarize with your new equipment, and will provide you all the tools needed to use it safely.

A proper maintenance and knowledge of the safety rules of use will allow to obtain the best performance and a long service life of the machine.



The Safety Alert Symbol used throughout this manual and on safety decals of the machine indicates the presence of potential hazard to the operator. When you see this symbol, be alert and carefully read the message that follows it.

The Safety Alert Symbol is used in conjunction with following Signal Words, according to the degree of possible injuries that may result operating the implement:

 **DANGER**

Indicates an imminently hazardous situation that, if not avoided, will result in death or serious injury.

 **WARNING**

Indicates a potentially hazardous situation that, if not avoided, could result in death or serious injury, and includes hazards that are exposed when guards are removed. It may also be used to alert against unsafe practices.

 **CAUTION**

Indicates a potentially hazardous situation that, if not avoided, may result in minor or moderate injury. It may also be used to alert against unsafe practices.

IMPORTANT

Indicates instructions or procedures that, if not observed, can cause damage to equipment or environment.

NOTE

Indicates helpful information.

READ, UNDERSTAND, and FOLLOW the safety messages following the Safety Alert Symbol and Signal Words. Failure to comply with safety messages could result in serious bodily injury or death.

TABLE OF CONTENTS

1. SPARE PARTS.....	1
RD PLATE ASSEMBLY (UL) SPARES PARTS TABLE.....	2
RD PLATE ASSEMBLY (UL) SPARES PARTS LIST.....	3
SD PLATE ASSEMBLY (UL) SPARES PARTS TABLE.....	4
SD PLATE ASSEMBLY (UL) SPARES PARTS LIST.....	5
GEAR BOX ASSEMBLY (UL) SPARE PARTS TABLE.....	6
GEAR BOX ASSEMBLY (UL) SPARE PARTS LIST.....	7
MACHINE ASSEMBLY (UL) SPARE PARTS TABLE.....	8
MACHINE ASSEMBLY (UL) SPARE PARTS LIST.....	9
CE KIT ASSEMBLY (UL) SPARES PARTS TABLE.....	12
CE KIT ASSEMBLY (UL) SPARES PARTS LIST.....	13

1. SPARE PARTS

All repairs and replacements on the machine must be performed only by using original spare parts, which must be obtained / provided from the manufacturer or your dealer.

This section contains the information needed to identify the parts of U-series tillers that may be ordered to manufacturer.

When request spare parts to manufacturer, always give following indications:

- type of machine;
- tiller serial number;
- description and p/number of the spare parts;
- quantities.

NOTE

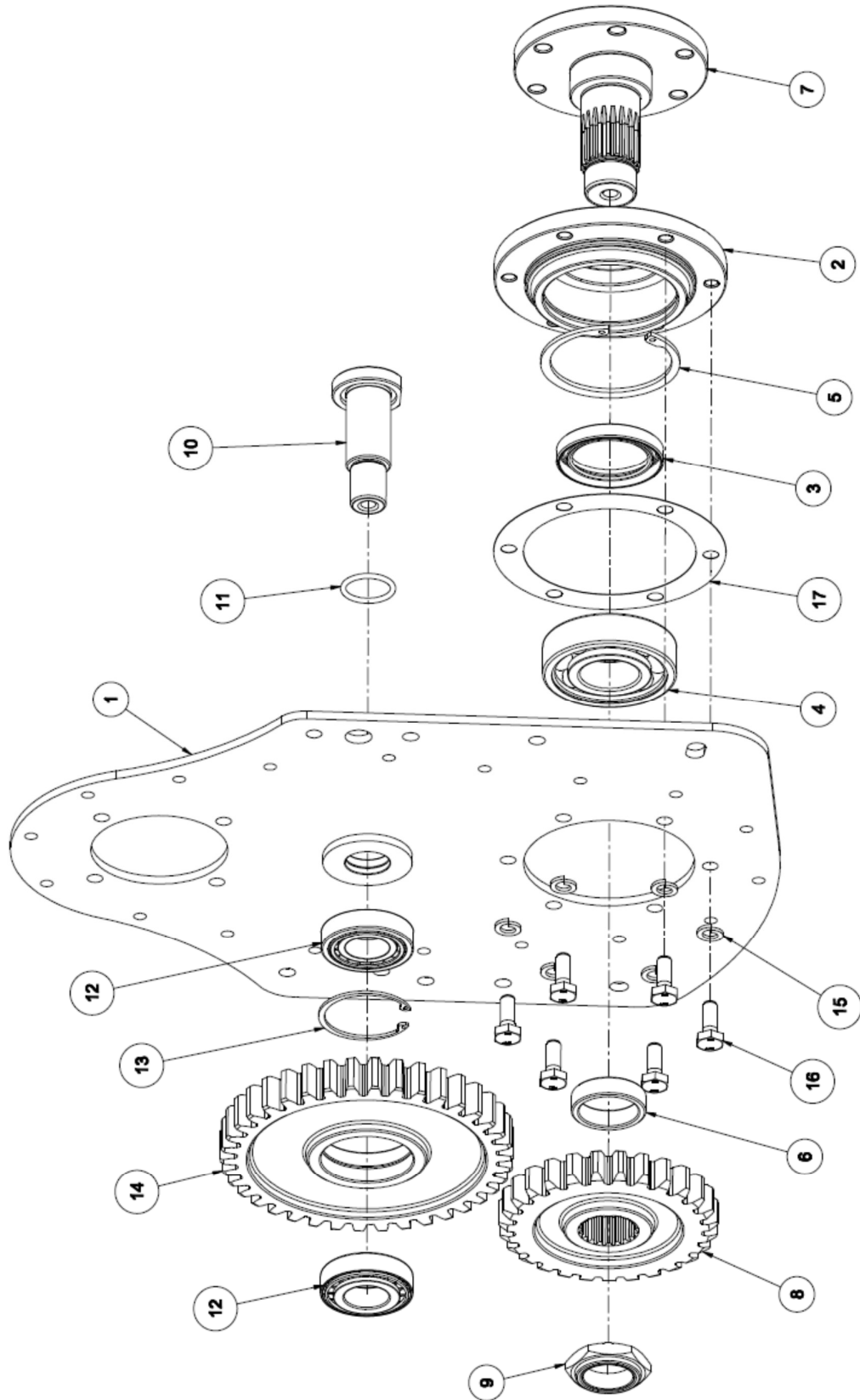
For identification of p/numbers and description of safety decals refer to the Section Safety labels.

For identification of p/numbers and description of PTO driveline parts, refer to the manual of the driveshaft manufacturer.

The Manufacturer reserves the right to substitute a required part with an equivalent part, if applicable.

RD PLATE ASSEMBLY (UL) SPARE PARTS TABLE

RD PLATE ASSEMBLY (U-SERIES)

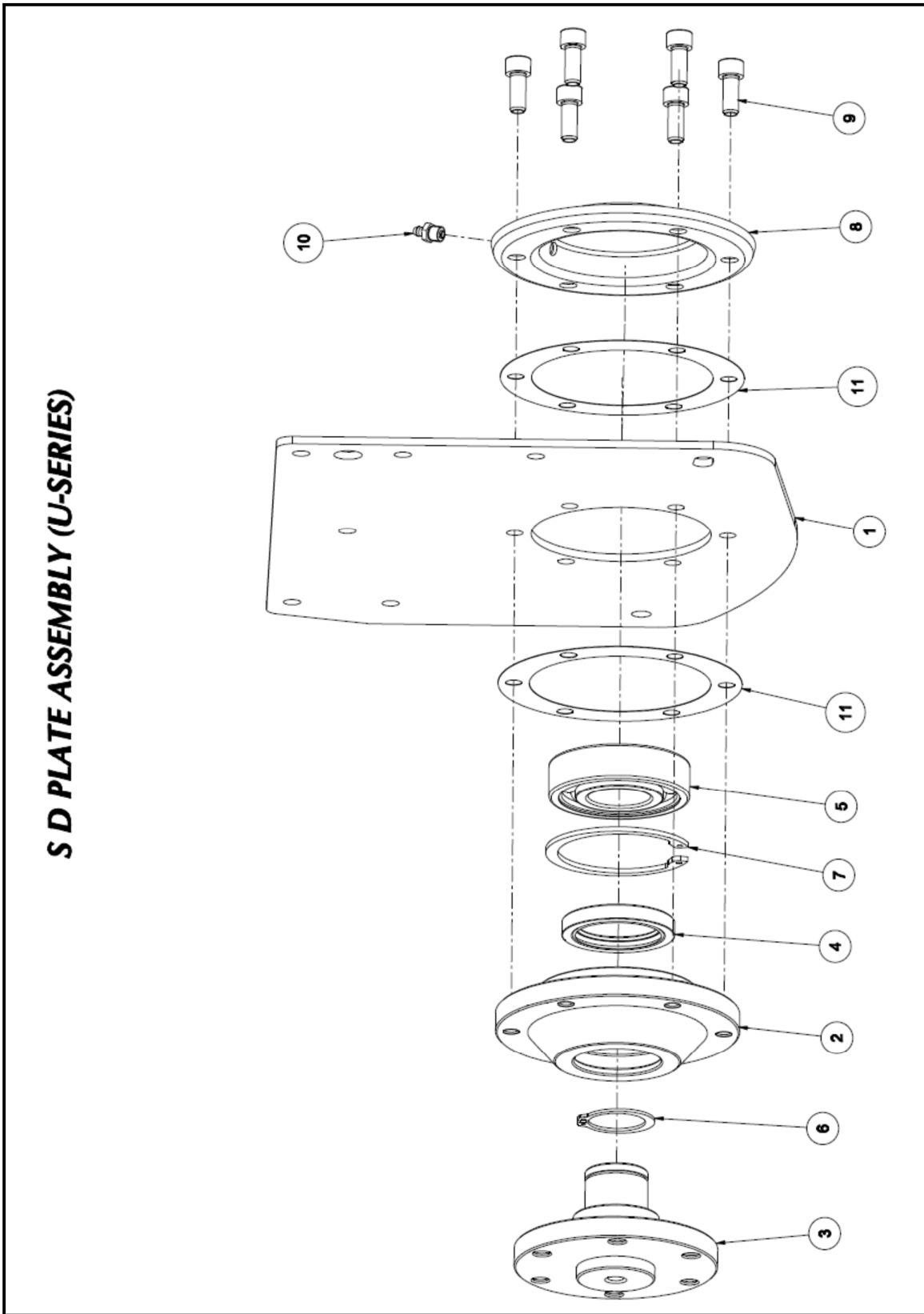


U-Series UL Rotary Tillers

RD PLATE ASSEMBLY (UL) SPARE PARTS LIST

ITEM	P/NUMBER	QTY.	PART NAME
1	14320	1	R D PLATE GD COMP (U-SERIES)
2	14019	1	ROTOR SHAFT HOUSING (U-SERIES)
3	14051	1	OIL SEAL 55 X 72 X 10
4	8036	1	BEARING 6308
5	3027	1	CIRCLIP INTERNAL 90MM
6	14028	1	SPACER DIA-50 x 40 x 12 MM
7	14022	1	R D SHAFT (U-SERIES)
8	14034	1	GEAR 27 TEETH (U-SERIES)
9	1449	1	NYLOCK NUT M35X1.50
10	14025	1	R D SHAFT SMALL (U-SERIES)
11	14131	1	O RING 30 x 3.50
12	14055	2	BEARING 30206
13	8120	1	CIRCLIP INTERNAL 62MM
14	14033	1	GEAR 38 TEETH (U-SERIES)
15	1304	6	SPRING WASHER 10MM
16	17270	6	HEX BOLT M10 X 1.50 X 25 (8.8) DIN931
17	14018	1	S D PLATE END COVER GASKET (U-SERIES)

SD PLATE ASSEMBLY (UL) SPARE PARTS TABLE



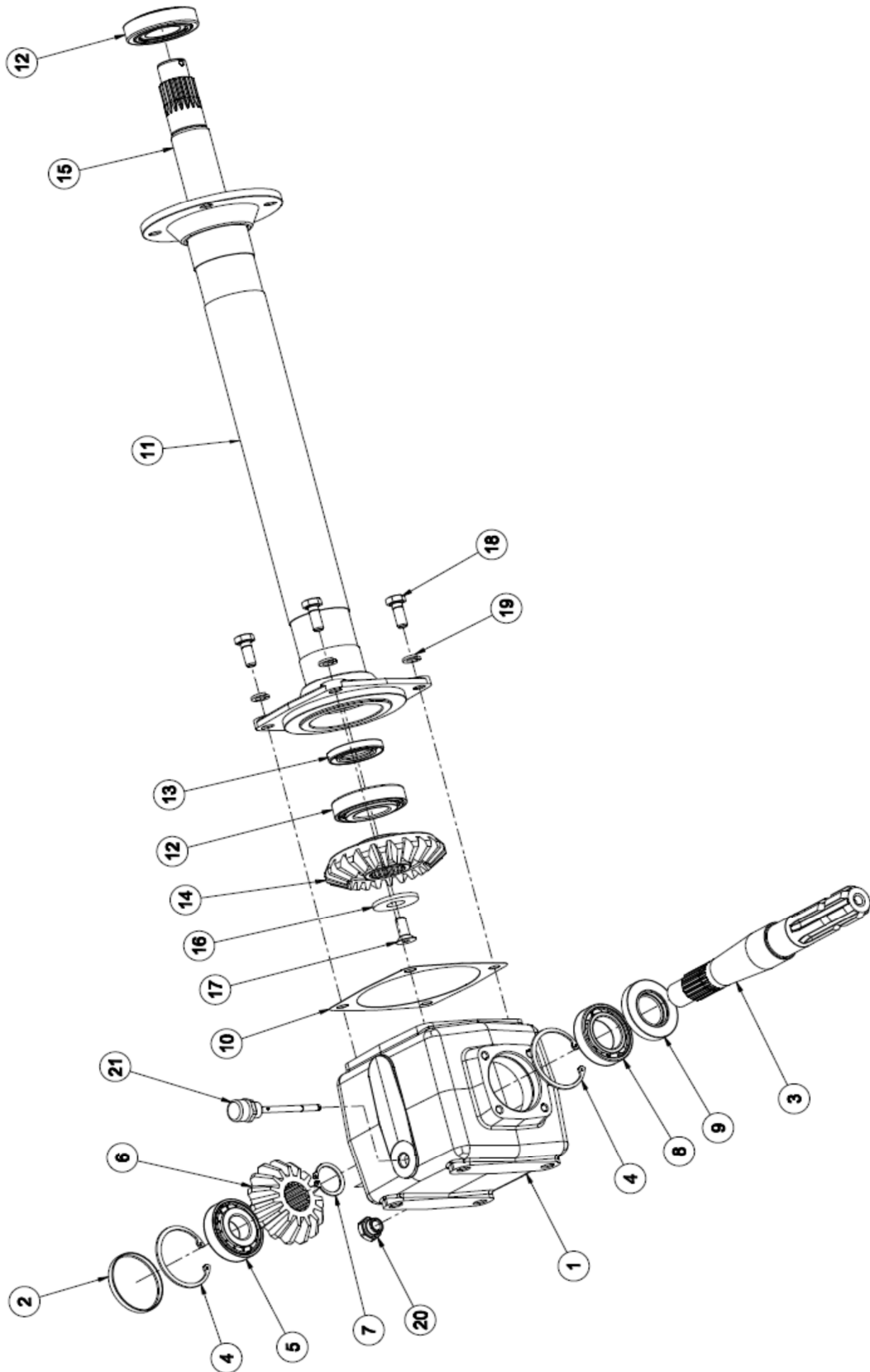
U-Series UL Rotary Tillers

SD PLATE ASSEMBLY (UL) SPARE PARTS LIST

ITEM	P/NUMBER	QTY.	PART NAME
1	14023	1	S D PLATE (U-SERIES)
2	14019	1	ROTOR SHAFT HOUSING (U-SERIES)
3	14021	1	STUB AXLE SHAFT (U-SERIES)
4	14051	1	OIL SEAL 55 X 72 X 10
5	8036	1	BEARING 6308
6	8027	1	CIRCLIP EXTERNAL 40MM
7	3027	1	CIRCLIP INTERNAL 90MM
8	14256	1	SD PLATE END COVER COMP. (U-SERIES)
9	2833	6	ALLEN BOLT M10 X 1.50 X 25
10	1253	1	1/8 BSP GREASE NIPPLE 7.5MM
11	14018	2	S D PLATE END COVER GASKET (U-SERIES)

GEAR BOX ASSEMBLY (UL) SPARE PARTS TABLE

GEAR BOX ASSEMBLY (U-SERIES)



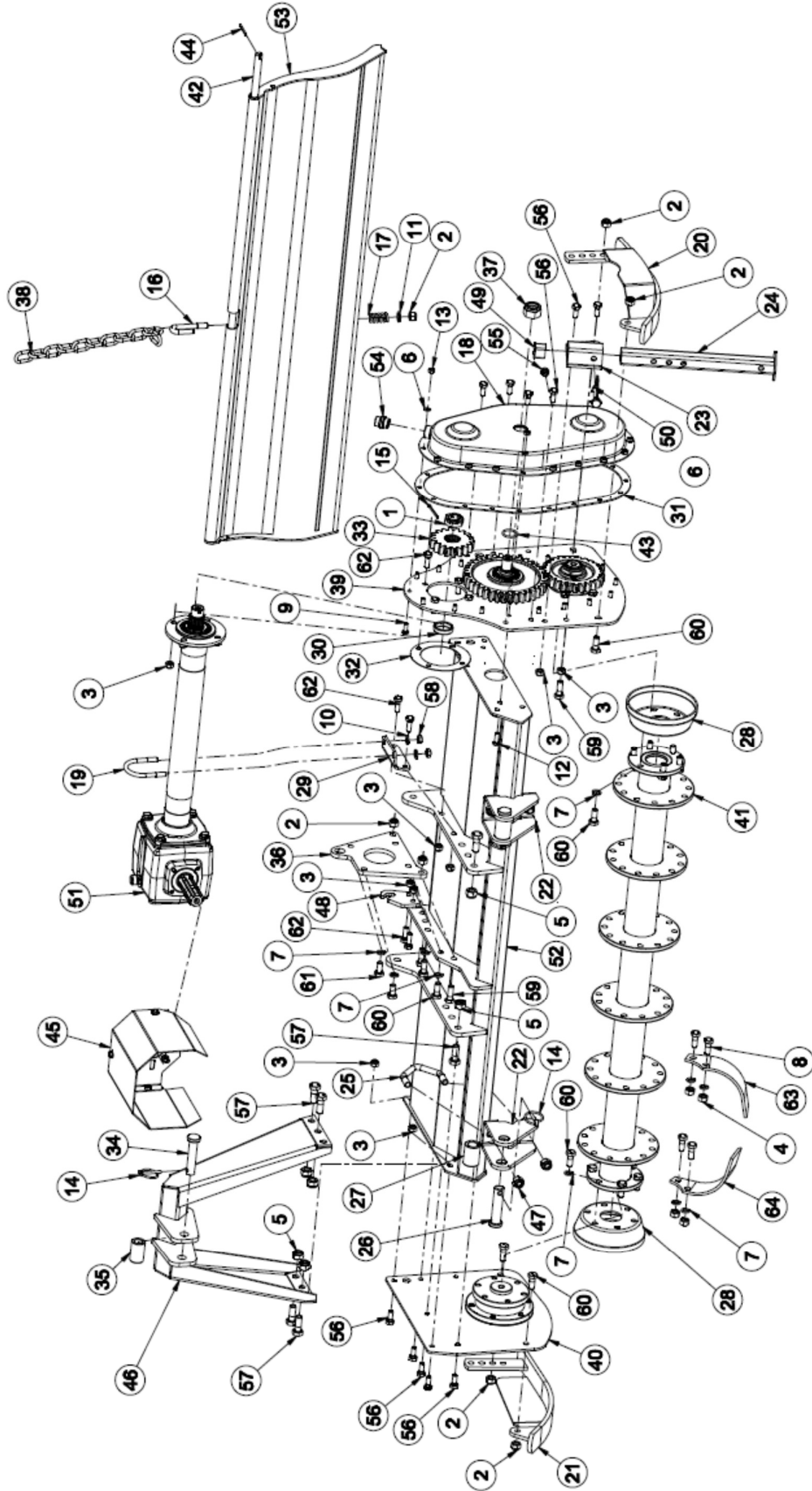
U-Series UL Rotary Tillers

GEAR BOX ASSEMBLY (UL) SPARE PARTS LIST

ITEM	P/NUMBER	QTY.	PART NAME
1	14043	1	GEAR BOX 540 RPM (U-SERIES)
2	14075	1	OIL SEAL 62 X 7
3	14046	1	INPUT SHAFT (U-SERIES)
4	8120	2	CIRCLIP INTERNAL 62MM
5	14053	1	BEARING 30305
6	14047	1	PINION 15 TEETH (U-SERIES)
7	11058	1	EXTERNAL CIRCLIP 30MM
8	14054	1	BEARING 6007
9	14057	1	OIL SEAL 35 X 62 X 10
10	14044	1	JACK SHAFT HOUSING GASKET GD (U-SERIES)
11	14269	1	JACK SHAFT HOU. COMP 639M CM (U-SERIES)
	14006	1	JACK SHAFT HOUSING COMP 1.5M (U-SERIES)
	10199	1	JACK SHAFT HOUSING COMP 0.9M (U-SERIES)
	10206	1	JACK SHAFT HOUSING COMP 1.2M (U-SERIES)
	10300	1	JACK SHAFT HOU. COMP 1.05M (U-SERIES)
12	1003	2	BEARING 30207
13	14056	1	OIL SEAL 35 X 55 X 8
14	14048	1	CROWN 22 TEETH (U-SERIES)
15	14268	1	JACK SHAFT 639 mm CM(U-SERIES)
	14045	1	JACK SHAFT 791 mm (U-SERIES)
	10205	1	JACK SHAFT 539 mm (U-SERIES)
	10301	1	JACK SHAFT 566 (U-SERIES)
	10067	1	JACK SHAFT 486 mm (U-SERIES)
16	14049	1	CROWN WASHER (U-SERIES)
17	14058	1	CSK BOLT M10 X 1.5 X 25
18	17270	4	HEX BOLT M10 X 1.50 X 25 (8.8) DIN931
19	1304	4	SPRING WASHER 10MM
20	14312	1	DRAIN CAP 3/8" BSP (1GTC02UW)
21	14317	1	DIPSTICK 90MM (M16 X 1.5) (1MLSR203)

MACHINE ASSEMBLY (UL) SPARE PARTS TABLE

MACHINE ASSEMBLY (U-SERIES)



U-Series UL Rotary Tillers

MACHINE ASSEMBLY (UL) SPARE PARTS LIST

ITEM	P/NUMBER	QTY.	PART NAME	REMARKS
1	8032	1	CASTLE NUT 28mm	
2	1209	7	NYLOCK NUT M12X1.75 (DIN-982)	
3	1298	19	NYLOCK NUT M10X1.50 (DIN-982)	
4	1301	48	HEX NUT M12 X 1.75	For UL0.9
		60		For UL1.05
		72		For UL1.2
		84		For UL1.5
5	1302	6	NYLOCK NUT M14X1.50 (DIN-982)	
6	1303	18	SPRING WASHER 8mm	
7	1306	64	SPRING WASHER 12mm	For UL0.9
		76		For UL1.05
		88		For UL1.2
		100		For UL1.5
8	10192	48	HEX BOLT M12 X 1.75 X 30	For UL0.9
		60		For UL1.05
		72		For UL1.2
		84		For UL1.5
9	8040	16	HEX BOLT M8 X 1.25 X 20	
10	8078	2	PLAIN WASHER 10mm	
11	8126	1	PLAIN WASHER 12mm	
12	8171	2	HEX BOLT M8 X 1.25 X 25	
13	8181	18	HEX NUT M8 X 1.25	
14	8204	3	LINCH PIN SMALL (CHO)	
15	14137	1	COTTER PIN (DIA 4 X 70)	
16	14004	1	J-BOLT M12 x 1.75 x 24 x 87.5 x 25TL	
17	14005	1	U-BOLT SPRING (U-SERIES)	
18	14007	1	CHAIN COVER GD COMP (U-SERIES)	
19	14008	1	U BOLT M10 X 1.5 X 71.00 X 90.00 X 24TL	
20	14009	1	DEPTH SKID COMP LH (U-SERIES)	
21	14010	1	DEPTH SKID COMP RH (U-SERIES)	
22	14011	2	M/C HITCHING BRACKET COMP (U-SERIES)	
23	14012	1	M/C MOUN STAND COMP (U-SERIES)	
24	14013	1	M/C STAND PIPE COMP (U-SERIES)	
25	14014	2	V-BOLT M14 x 2 x 90 x 83.2 x 26TL	
26	14015	2	HITCH PIN BOTTOM CAT-I (DIA-22 X 99)	
27	14016	2	BUSH (DIA. 36.5 X 22.5 X 50 L)	
28	14020	2	DUST COVER (U-SERIES)	
29	14027	1	JACK SHAFT HOUSING MOUN PLATE (U-SERIES)	
30	14029	1	SPACER DIA-45 x 35 x 9 MM	
31	14030	1	CHAIN COVER GASKET (U-SERIES)	
32	14031	1	JACK SHAFT HOUSING GASKET RD (U-SERIES)	
33	14032	1	GEAR 18 TEETH (U-SERIES)	
34	14037	1	HINCH PIN TOP CAT-I (DIA- 19 X 98)	

U-Series UL Rotary Tillers

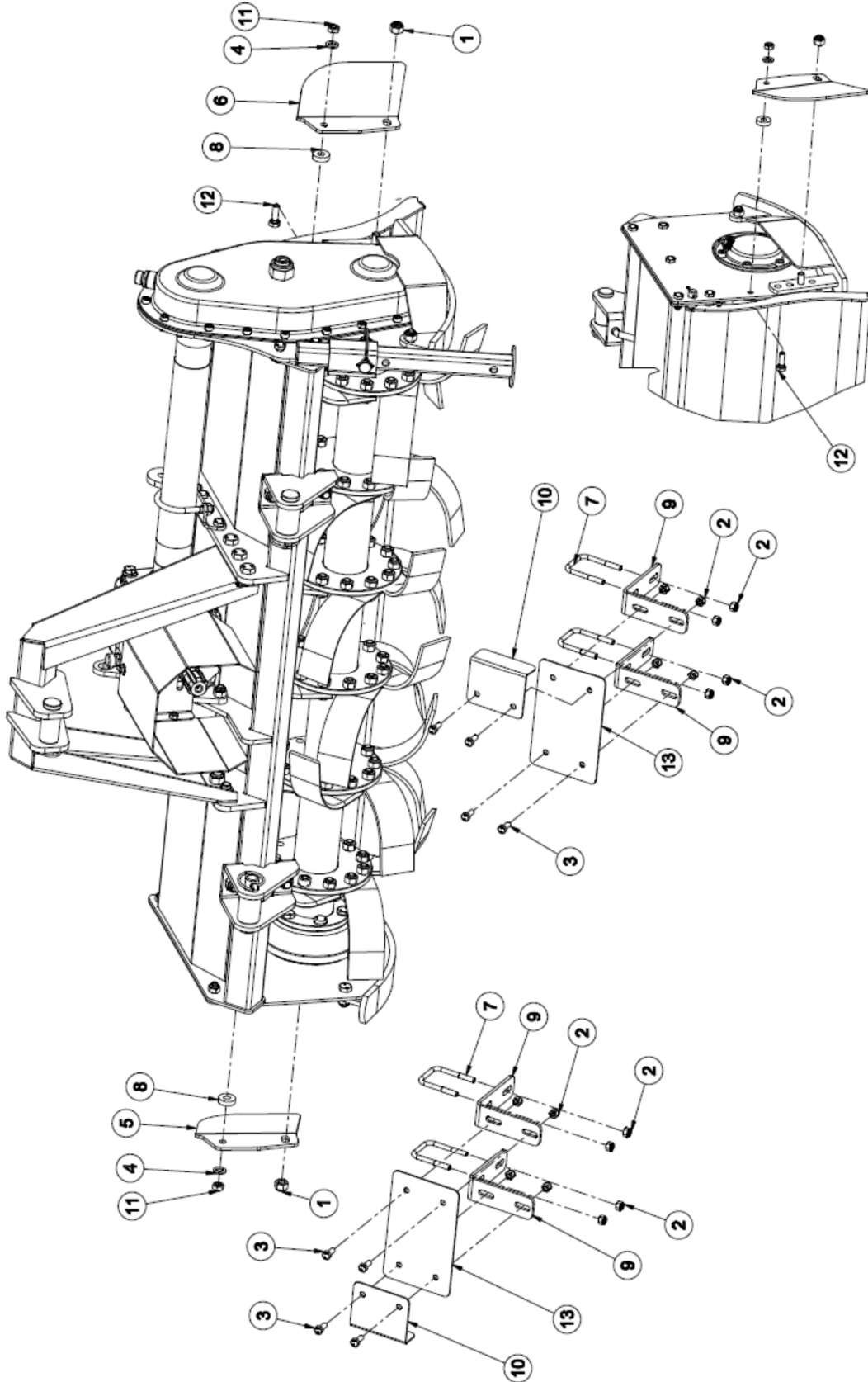
35	14038	1	BUSH (DIA. 19.5 X 31.5 X 52 L)	
36	14042	1	GEAR BOX MOUN PLATE (U-SERIES)	
37	14065	1	NYLOCK NUT M24X2.00 (DIN-982)	
38	14073	1	LIFTING CHAIN TB	
39	14077	1	R D PLATE ASSEMBLY (U-SERIES)	
40	14078	1	S D PLATE ASSEMBLY (U-SERIES)	
41	10209	1	ROTOR SRT-1.2M C/L-TYPE (U-SERIES)(60X6)	For UL1.2
	10202		ROTOR SRT-0.9M C/L-TYPE (U-SERIES)(60X6)	For UL0.9
	10298		ROTOR SRT-1.05M C/L-TYPE(U-SERIES)(60X6)	For UL1.05
	14002		ROTOR SRT-1.5M C/L-TYPE (U-SERIES)(60X6)	For UL1.5
42	10210	1	TRAILING BOARD ROD 1.2M (U-SERIES)	For UL1.2
	10203		TRAILING BOARD ROD 0.9M (U-SERIES)	For UL0.9
	10303		TRAILING BOARD ROD 1.05M (U-SERIES)	For UL1.05
	14050		TRAILING BOARD ROD 1.5M (U-SERIES)	For UL1.5
43	14131	1	O RING 30 x 3.50	
44	19018	2	COTTER PIN (DIA 4 X 35)	
45	14172	1	PTO SHAFT GUARD ASSEMBLY (SMALL)	
46	14239	1	TOP MAST COMP. (U-SERIES)	
47	1574	4	NYLOCK NUT M14X2.00 (DIN-982)	
48	14258	1	CHAIN LIFTING HOOK (U-SERIES)	
49	14266	1	SQ. PIPE PLASTIC CAP 32MM	
50	14267	1	SQ. SNAPPER PIN D10 X L70	
51	14270	1	GEAR BOX ASM. 540 RPM 639M CM(U-SERIES)	For UL1.2 (CM)
	10204		GEAR BOX ASSEMBLY 540 RPM 0.9M(U-SERIES)	For UL0.9
	10302		GEAR BOX ASM. 540 RPM 1.05M (U-SERIES)	For UL1.05
	10211		GEAR BOX ASSEMBLY 540 RPM 1.2M(U-SERIES)	For UL1.2 (S.S)
	14079		GEAR BOX ASSEMBLY 540 RPM 1.5M(U-SERIES)	For UL1.5
52	14271	1	HULL COMP 1.2M CM (U-SERIES)	For UL1.2 (CM)
	10200		HULL COMP 0.9M (U-SERIES)	For UL0.9
	10297		HULL COMP 1.05M (U-SERIES)	For UL1.05
	10207		HULL COMP 1.2M (U-SERIES)	For UL1.2 (S.S)
	14001		HULL COMP 1.5M (U-SERIES)	For UL1.5
53	14272	1	TRAILING BOARD COMP 1.2M CM (U-SERIES)	For UL1.2 (CM)
	10201		TRAILING BOARD COMP 0.9M (U-SERIES)	For UL0.9
	10299		TRAILING BOARD COMP 1.05M (U-SERIES)	For UL1.05
	10208		TRAILING BOARD COMP 1.2M (U-SERIES)	For UL1.2 (S.S)
	14003		T B COMP 1.5M (U-SERIES)	For UL1.5
54	14310	1	AIR BREATHER 1/2" BSP (1GTSR38)	
55	14313	1	OIL LEVEL GAUGE 1/4" BSP (1GTLN110)	
56	17270	11	HEX BOLT M10 X 1.50 X 25 (8.8) DIN931	
57	17271	6	HEX BOLT M14 X 1.50 X 37 (8.8) DIN931	
58	17272	2	HEX NUT M10 X 1.50 DIN 934	
59	17274	4	HEX BOLT M12 X 1.75 X 35 (8.8) DIN931	
60	17275	15	HEX BOLT M12 X 1.75 X 30 (8.8) DIN931	
61	17474	2	HEX BOLT M12 X 1.75 X 25(FT)(8.8) DIN933	
62	3340	8	HEX BOLT M10 X 1.50 X 30 (8.8) DIN933	

U-Series UL Rotary Tillers

63	14041	12	BLADE C-TYPE LH (60X6)(157X117)	For UL0.9
		15		For UL1.05
		18		For UL1.2
		21		For UL1.5
64	14040	12	BLADE C-TYPE (60X6)(157X117)	For UL0.9
		15		For UL1.05
		18		For UL1.2
		21		For UL1.5

CE KIT ASSEMBLY (UL) SPARE PARTS TABLE

"CE" KIT ASSEMBLY (U-SERIES)



U-Series UL Rotary Tillers

CE KIT ASSEMBLY (UL) SPARE PARTS LIST

ITEM	P/NUMBER	QTY.	PART NAME	REMARKS
1	1209	2	NYLOCK NUT M12X1.75 (DIN-982)	SKID NUT
2	1297	16	NYLOCK NUT M8X1.25 (DIN-982)	For UL-1.2 (CM),1.05 & 1.5
		12		For UL-1.2 (SS)
		8		For UL-0.9
3	8040	8	HEX BOLT M8 X 1.25 X 20	For UL-1.2 (CM),1.05 & 1.5
		6		For UL-1.2 (SS)
		4		For UL-0.9
4	8078	2	PLAIN WASHER 10mm	
5	14183	1	TB GAURD PLATE LH (U-SERIES)	
6	14184	1	TB GAURD PLATE RH (U-SERIES)	
7	14190	4	U-BOLT M8 X 1.25 X 77 X 60 X 28TL	For UL-1.2 (CM),1.05 & 1.5
		3		For UL-1.2 (SS)
		2		For UL-0.9
8	14194	2	SPACER DIA-28 x 11 x 8 MM	
9	4731	4	BRACKET,FRONT BARRIER (REG + & L)	For UL-1.2 (CM)
		2		For UL-0.9
		4		For UL-1.05
		3		For UL-1.2 (SS)
		4		For UL-1.5
10	4741	2	PLATE,END,FRONT BARRIER (REG +)	
11	17272	2	HEX NUT M10 X 1.50 DIN 934	
12	3340	2	HEX BOLT M10 X 1.50 X 30 (8.8) DIN933	
13	14326	2	PLATE,FRONT BARRIER (125 X L=200)	For UL-1.2 (CM)
	14325	2	PLATE,FRONT BARRIER (125 X L=55)	For UL-0.9
	4739	2	PLATE,FRONT BARRIER (L=100) (REG +)	For UL-1.05
	4740	1	PLATE,FRONT BARRIER (L=300) (REG +)	For UL-1.2 (SS)
		2		For UL-1.5
	4781	1	PLATE,FRONT BARRIER (L=75) (REG +)	For UL-1.2 (SS)



Tirth Agro Technology Pvt. Ltd.
(An ISO 9001:2008 Certified Company)

National Highway – 27, Nr. Bharudi Toll Plaza,
Gondal Road At.: Bhunava – 360311 Ta. Gondal,
Dist.: Rajkot. State: Gujarat- INDIA.

Phone: + 91 (2827) 661637

e-mail: info@shaktimanagro.com